

planika
NEW SENSE OF FIRE

**PLANIKA FIRE
MODEL GF**



CAUTION:

Read this Manual carefully before using Planika Fire for the first time. Use Planika Fire in accordance with this Manual, safety, country and local regulations.

EDITION : I0002#06 . 16.10.2007

TABLE OF CONTENTS

1. Product's description	
a. General characteristic	2
b. Planika and the Enviroment	2
2. Safety	3
3. Installation	7
4. Operating Instructions	9
5. Cleaning and maintenance	11
6. Additional information	11
a. Technical data	11
b. Utilization and recycling	11

Familiarization with this Manual is obligatory.

1. Product's description

a. General characteristic

Planika Fire has been designed to arrange places where there is no possibility to install traditional fireplace.

Planika Fire GF is made of stainless steel, glass, wood or aluminium (depends on model). Our product is equipped with 0,5 litre cup for liquid fuel (FANOLA®).

After fulfilling the cup with fuel (FANOLA®), the fire burns for approximately 1,5 hours.

Being purely decorative, the Planika Fire GF is designed to create a cosy, intimate and friendly atmosphere.

b. Planika and the Environment

Planika Fire requires no flue installation which means that all the heat created during the burning process remains in the room. It can be used in every room having adequate natural ventilation and proper capacity.

Thanks to the use of alcohol based (ethanol), ecological fuel, the operation of the Planika Fire GF is clean, emission free and environmentally friendly.

There are no combustion residues, such as ash or soot, to clean or remove.

The Planika Fire is not a heating appliance.

2. Safety

This section provides information concerning responsible use of the Planika Fire.

Complying with the following safety recommendations will avoid damaging the product, and the arising of potentially hazardous situations which can result in bodily injury.

To ensure safe and appropriate use of Planika Fire you must proceed according to the following guidelines:

Before assembling select a location for the Planika Fire, taking into consideration the following rules:

- Planika Fire must be set horizontally and stably. The basis cannot weight down with the Product.
- There should be adequate natural ventilation in the room where Planika Fire is used. If required, increase the ventilation by setting a window or door ajar. See table below.

Minimum room space (m ²)*	Air circulation (n/h)**	Notices
19,6	1,0	complete air circulation in the room, where Planika Fire is placed, during 1 hour
32,3	0,6	typical air circulation in draughty buildings with standard ventilation used by the user
97,3	0,2	air circulation depends on building leakiness

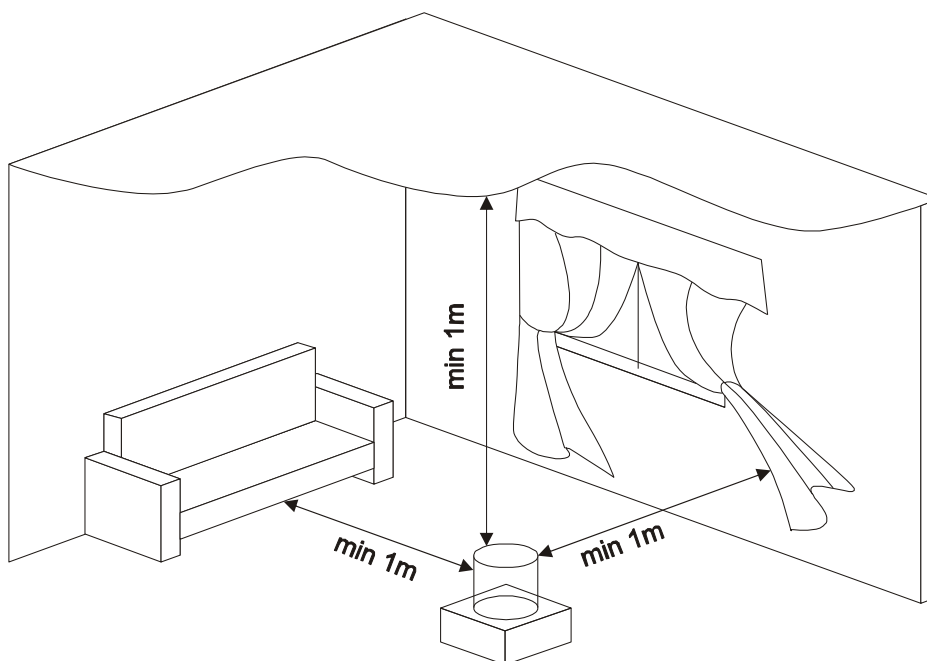
* Room height H=2,6 m

** General guidelines regarding air circulation:

Air circulation [n/h]	Notices
0 - 0,5	Closed Windows and doors
0,3 - 1,5	Windows set ajar without blinds
5,0 – 10,0	Windows half- opened

n/h – air circulation multiplicity in the room, e.g. 0,5 n/h means that during 1 hour half of the air is replaced

- In the places nearby, avoid any moves, especially above the glass cylinder, that can affect the flame.
- Do not place the Planika Fire in draughty areas, close to fans or other such-like ventilating devices.
- Do not mount the product in places where potentially explosive and/or combustible particles may be present in the atmosphere- for example lacquer fumes, industrial dust etc.
- Do not move burning Planika Fire. It is possible only after extinguishing and cooling down the hearth.
- During the burning, the glass cylinder must be installed.
- Do not- within 1 meter radius- place any inflammable materials. Do not place and store FANOLA® less than 1 meter off from the Planika Fire.



General safety rules:

- Do not light and use Planika Fire without adult supervision.
- Do not place any objects on the product or its base, especially flammable ones.
- Do not try to repair or alter the construction of the Planika Fire.
- Using of mechanically damaged elements is not allowed.
- Use only the fuel designed for Planika Fire.
- Do not burn the wood, paper or any other substances as it may cause the damage to the Planika Fire.

Use FANOLA® fuel- fuel recommended by the manufacturer

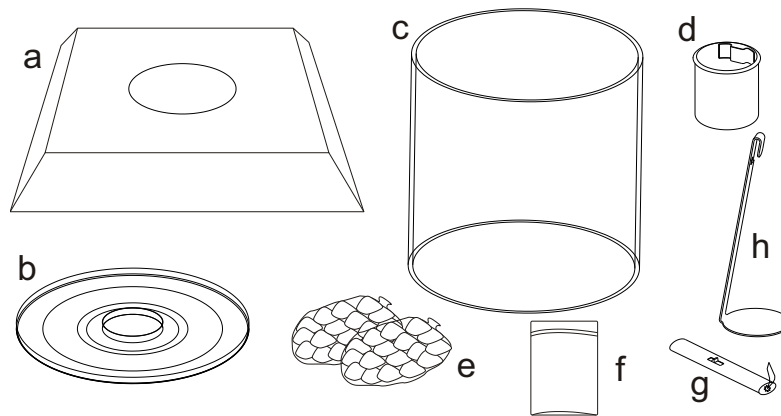
- Using different fuels can result in a emission of a variety of gases during the burning process, which may have negative health effect.
- FANOLA® must not be consumed. Do not drink or inhale FANOLA®. Avoid the contact with eyes and skin.
- Store FANOLA® in sealed container, away from sources of fire, in a place inaccessible for children, pets and any unauthorized person.
- **Definitely do not pour the fuel into the reservoir during burning**
- Do not smoke cigarettes while handling the fuel
- Spilled fuel may cause a fire. In case of spilling the fuel, wipe it off or wait until the fuel evaporates.
- Do not place inside the fireplace substances or objects not supplied by the Manufacturer.
- Use only Planika Fire accessories provided by the Manufacturer and in accordance with their instructions as per the Manual.
- You should take precautions, as the Planika Fire during the burning gets warmer and might be hot.
- Do not bend over the burning Planika Fire, do not put your hands inside
- Do not cover the Planika Fire, as it may cause a fire.

- Do not direct towards the fire a stream of air (e.g. ventilator) as it may spread the flame.
- If necessary extinguish the flame with provided metal tool and in accordance with instructions as per the Manual.
- Before refilling the reservoir you should wait until reservoir has cooled down- at least 10 minutes.
- Never remove the fuel cup when the flame is still burning.
- In order to set the fire, use only provided metal tool and lighter. Do not use matches or ordinary lighters.
- The fuel must always be burnt completely, otherwise may create flammable gases and smell.
- If the fuel does not ignite, it might be too cold. In this case you should wait until the fuel gets a room temperature.

3. Installation

Before assembling the product, read Section 2 of this handbook (Safety). To ensure proper assembly and installation of Planika Fire GF, please proceed as follows.

- 3.1. Take all the parts of the Planika Fire GF out from the package.
Check all the components:

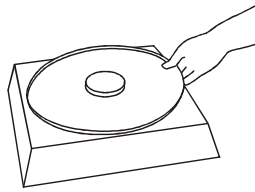


DESIGNATION	NAME	QUANTITY	USE
a	Base *	1	Constructional elements
b	Stainless steel plate	1	
c	Glass cylinder	1	
d	Stainless steel cup	1	
e	Decorative stones	2	
f	Decorative sand	1	
g	Lighter	1	
h	Metal tool**	1	

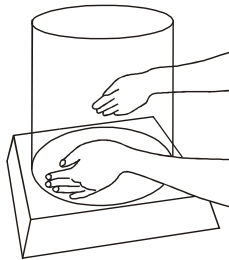
* type and design depends on model.

** to take out the cup and fire the fuel (bent tip) and to extinguish fire (tip with disc)

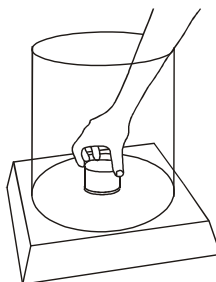
- 3.2. Choose a suitable place for installation as discussed in Section 2.
- 3.3. The base (a) is to be put in the chosen place on a horizontal surface having in mind that no flammable materials are allowed nearby the Planika Fire. The stainless steel plate (b) is to be placed on the base (a).



- 3.4. Glass cylinder is to be placed on the plate (b) and its position is to be centred. Planika inscription which can be seen on the cylinder should be at the base.



- 3.5. Please spill the decorative sand (f) and put stones (e) on it. Decorative stones (e) are to be spilled evenly over the plate (b). The stones (e) and sand (f) must be outside the hole in the plate (b) to have no contact with flames when fuel is burning. The cup (d) is to be placed inside the hole of the stainless steel plate (b).

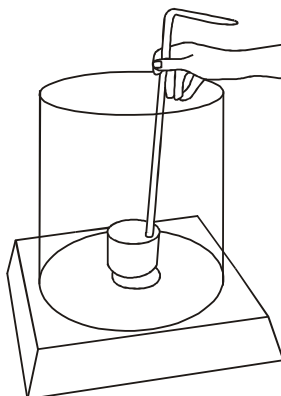


Planika Fire prepared this way is ready to use.

4. Operating instructions

Before using the product, read Section 2 of this handbook carefully.

- 4.1 Using the tool (h) take out the cup (d) catching a metal attachment inside the cup.



- 4.2 Fill the cup (d) with FANOLA® fuel kept by means of the metal tool. Do not pour the fuel above the Planika Fire. Take special precautions not to spill the fuel. Igniting the spilled on the Planika Fire fuel may cause cracks to the cylinder and glass ring. Spilled fuel may cause a fire.

Caution:

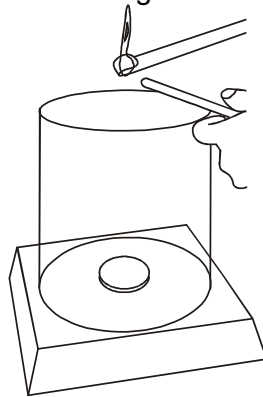
Maximal fuel level in the cup should be about 1 cm below its upper edge.



- 4.3. Using the tool (d), place the cup (d) inside the hole in the plate (b). When placing the cup take special precautions not to spill the fuel. If, despite this, the fuel gets spilled outside the Planika Fire it should be wiped off. If the fuel gets spilled inside the glass cylinder (c) it is advised to wait until the fuel evaporates. Igniting the spilled fuel inside the glass cylinder (c) but outside the cup may cause cracks to the cylinder (c). After placing the cup (d) with fuel inside the plate hole, the tool tip is still moistened with fuel. It should be lifted a little above the cylinder (c) and using lighter the fuel covering its tip should be ignited. Next, burning tip of the tool is to touch the fuel inside the cup.

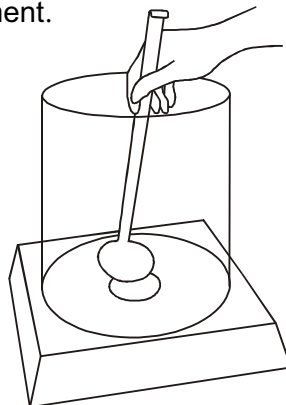
Caution! :

FANOLA® in the cup must be ignited only with metal tool(h).



- 4.4.

The fuel should be burnt completely. If it is necessary to extinguish the fire, metal tool should be used, putting the tip with metal disc on the upper edge of the cup, and holding it in this position for a moment.



5. Cleaning and maintenance

Planika Fire does not need any particular maintenance except for general cleaning. To clean the casing use soft, moist cloth with a delicate cleaning agent. Elements made from stainless steel, glass or wood clean with specialized cleaning agents.

Caution!

Fuel cup should be cleaned after using Planika Fire GF for several times. For cleaning the cup, use only FANOLA® fuel and soft rag.

4. Additional information

a. Technical data:

- | | |
|---------------------------|-----------------|
| • Type | Planika Fire GF |
| • Max. heat output | 1,9 kW |
| • Fuel container capacity | 0,5l |
| • Recommended fuel | FANOLA® |
| • Producer | PLANIKA |

b. Utilization and recycling

Product is composed of glass , stainless steel materials and other (depends on model). In case of necessity of disposal of product:

- Act accordingly to the utilization and recycling regulations of a given country
- Used fuel containers throw into the plastic waste containers

If you have any technical problems or any other questions, please contact with your dealer.

You will find the newest information about our product, advise, updates on our web site: www.planikafires.com