

U31 Hampton Gas Insert

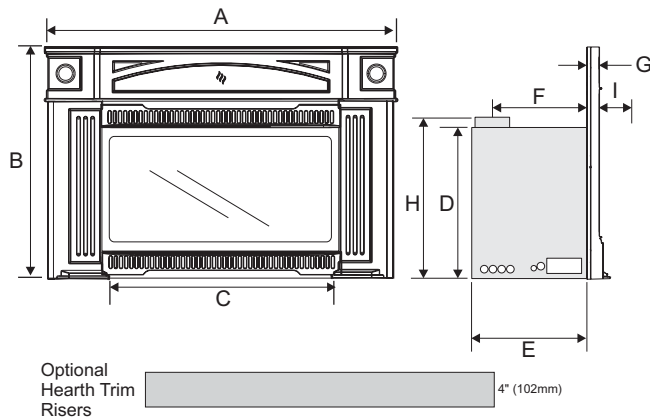
U31 Hampton Gas Insert

Model	U31-NG2	U31-LP2
Fuel Type	Natural Gas	Propane
Minimum Supply Pressure	5" W.C. (1.25 kPa)	12" W.C. (2.99 kPa)
Manifold Pressure - High	3.8" W.C. (0.95 kPa)	11" W.C. (2.74 kPa)
Manifold Pressure - Low	1.1" W.C. (0.27 kPa)	2.9" W.C. (0.72 kPa)
Orifice Size - Altitude 0-2000 ft.	#37 DMS	#52 DMS
Orifice Size - Altitude 2000-4500 ft.	#40 DMS	#53 DMS
Minimum Input Altitude 0-2000 ft. (0-610m)	14,500 BTU/h (4.25 kW)	13,700 BTU/h (4.02 kW)
Minimum Input Altitude 2000-4500 ft. (610-1372m)	13,000 BTU/h (3.81 kW)	12,400 BTU/h (3.63 kW)
Maximum Input Altitude 0-2000 ft. (0-610m)	30,000 BTU/h (8.79 kW)	27,500 BTU/h (8.06 kW)
Maximum Input Altitude 2000-4500 ft. (610-1372m)	27,200 BTU/h (7.97 kW)	25,000 BTU/h (7.33 kW)
Vent Sizing	4" B-Vent	4" B-Vent

Approved Venting Systems	
Flex Vent Systems:	FPI AstroCap™ Flex Vent



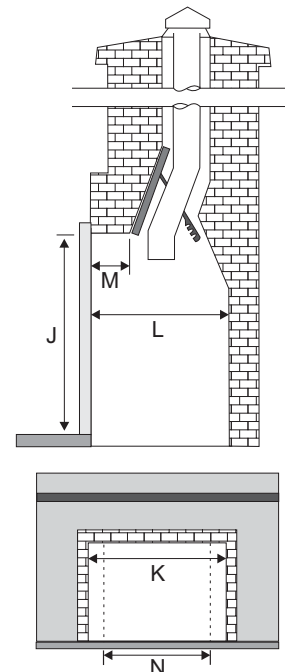
Gas Inserts



Dimension	Description	U31
A	Faceplate Width	40-3/4" (1035mm)
B	Faceplate Height	26-1/4" (667mm)
C	Unit Width	27-7/8" (708mm)
D	Unit Height	20-1/4" (514mm)
E	Unit Depth	13-1/2" (343mm)
F	Faceplate to Vent Centerline	11-3/4" (298mm)
G	Faceplate Depth	1-3/8" (35mm)
H	Height to Vent Collar	20-7/8" (530mm)
I	Optional or Standard Front Depth	3-3/4" (95 mm)

Minimum Fireplace Dimensions

The minimum fireplace dimensions for the FPI gas fireplace insert are shown in the following diagrams:



Dimension	Description	Hampton Faceplate
J	Height	21" (533mm)
K	Width	29" (737mm)
L	Depth	16" (406mm)
M	Max. Lintel Bar Depth	9" (229mm)
N	Rear Width	22-1/2" (572mm)

Clearances

Unless otherwise stated the clearances listed below are Minimum distances to combustible materials. **Please Note: A major cause of chimney related fires is due to a failure to maintain required clearances (air space) to combustible materials. It is of the greatest importance that this fireplace and vent system be installed only in accordance with these instructions.**

Clearances to Combustibles		
Dimension	Description	U31
A	Minimum Mantel Height	13" (330mm)
B	From Unit to Sides	10" (254mm)
C	From Unit to Ceiling	47.5" (1207mm)
D	From Surround to Sides	4" (102mm)
E	From Surround to Ceiling	41.5" (1054mm)
F	Maximum Mantel Depth	12" (305mm)
G	Minimum Alcove Width	48" (1219mm)
H	Maximum Alcove Depth	36" (914mm)

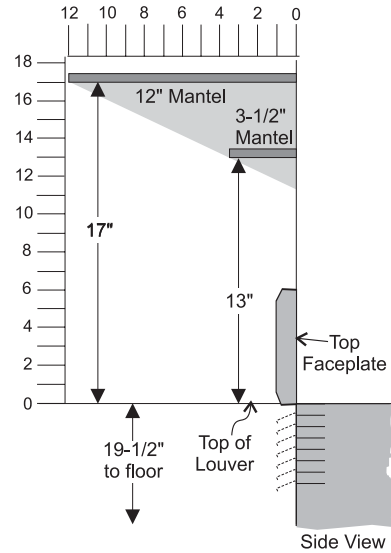
***No Hearth Required**

Clearances when installed with a Zero Clearance Kit		
Dimension	Description	U31
A	Minimum Mantel Height	12" (305mm)
F	Maximum Mantel Depth	22" (559mm)

Refer to Page 89 for required components to install as a Zero Clearance Fireplace.

Combustible Mantels

Because of the extreme heat this fireplace emits, the mantel clearances are critical. Combustible mantel clearances from top of the louvers are shown in the diagram below. Mantel may be installed anywhere in the shaded area or higher.



NOTE: The Zero Clearance kit offered by FPI **cannot** be used in conjunction with the Hampton Surround. **It is not approved.**

Note: A non-combustible mantel may be installed at a lower height.

Note: Ensure the paint that is used on the mantel and the facing is "heat resistant" or the paint may discolour.

