

E21 Gas Insert

Model	E21-NG3	E21-LP3
Fuel Type	Natural Gas	Propane
Minimum Supply Pressure	5" W.C. (1.25 kPa)	12" W.C. (3.00 kPa)
Manifold Pressure - High	3.8" W.C. (0.95 kPa)	11" W.C. (2.74 kPa)
Manifold Pressure - Low	1.1" W.C. (0.27 kPa)	2.9" W.C. (0.72 kPa)
Orifice Size - Altitude 0-2000 ft.	#43 DMS	#54 DMS
Orifice Size - Altitude 2000-4500 ft.	#44 DMS	
Minimum Input Altitude 0-2000 ft. (0-610m)	11,750 BTU/h (3.44 kW)	11,250 BTU/h (2.64 kW)
Minimum Input Altitude 2000-4500 ft. (610-1372m)	11,000 BTU/h (3.22 kW)	
Maximum Input Altitude 0-2000 ft. (0-610m)	23,500 BTU/h (6.89 kW)	22,500 BTU/h (6.59 kW)
Maximum Input Altitude 2000-4500 ft. (610-1372m)	22,000 BTU/h (6.45 kW)	
Vent Sizing	4" B-Vent	4" B-Vent

Approved Venting Systems

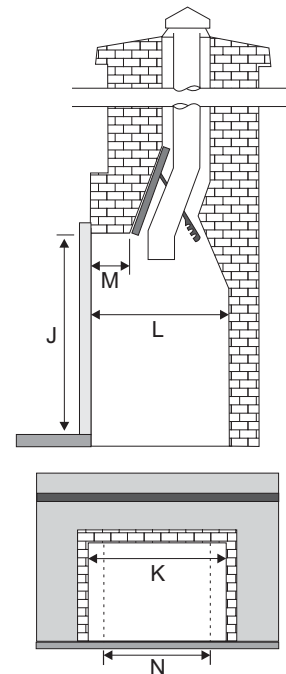
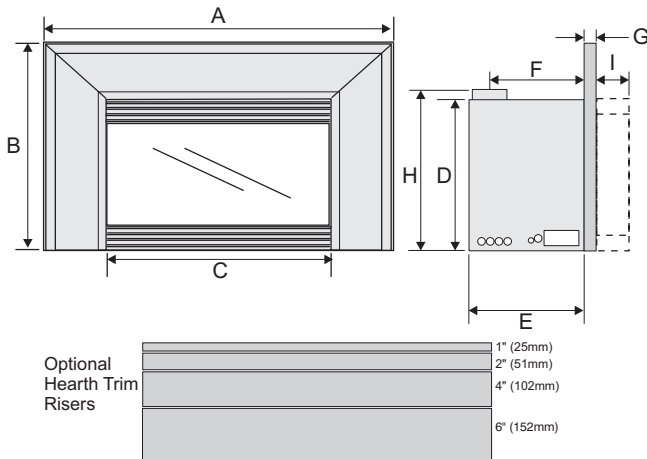
Flex Vent Systems:	FPI AstroCap™ Flex Vent
--------------------	-------------------------



Gas Inserts

Minimum Fireplace Clearances

Diagram shows the minimum fireplace opening required to be able to install the Regency® gas fireplace insert.



Dimension	Description	E21
A	Faceplate Width	40-1/8" (1019mm)
B	Faceplate Height	23-3/4" (603mm)
C	Unit Width	26" (660mm)
D	Unit Height	17-1/2" (445mm)
E	Unit Depth	13-1/4" (337mm)
F	Faceplate to Vent Centerline	10-3/4" (273mm)
G	Faceplate Depth	1-3/8" (35mm)
H	Height to Vent Collar	18-1/2" (470mm)
I	Optional or Standard Front Depth	3-3/4" (95mm)

NOTE: This unit may also be installed into new construction using a Zero Clearance Kit. Please refer to the Zero Clearance Kit Manual for details. Refer to Page 95 for required components to install as a Zero Clearance Fireplace.

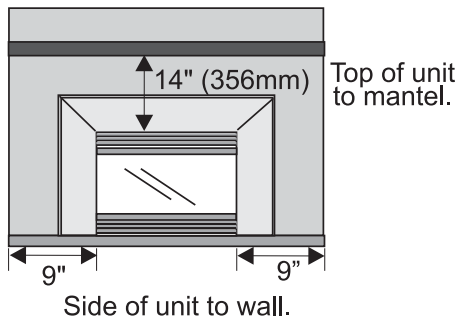
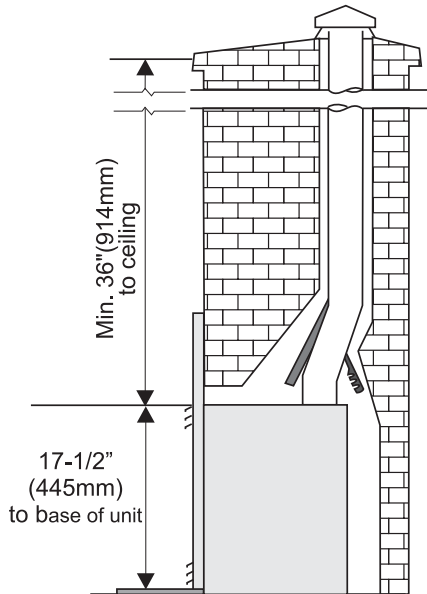
Dimension	Description	Contour Faceplate	Molded Faceplate
J	Height	17-3/4" (451mm)	18-5/8" (473mm)
K	Width	26-1/2" (673mm)	29-1/8" (740mm)
L	Depth	14" (356mm)	15" (381mm)
M	Max. Lintel Bar Depth	N/A	N/A
N	Rear Width	18" (457mm)	18" (457mm)

E21 Gas Insert

Clearances

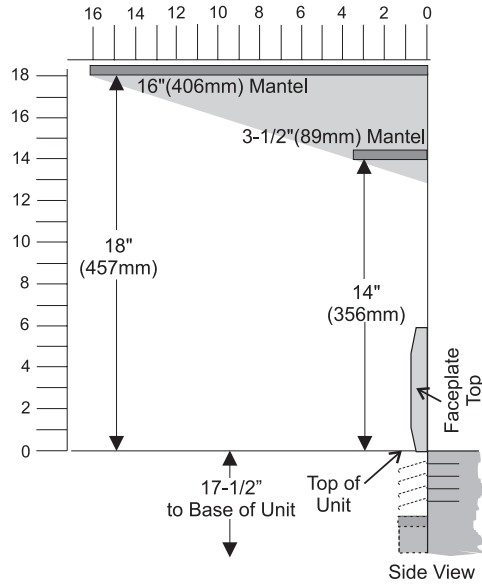
Unless otherwise stated the clearances listed below are Minimum distances to combustible materials. **Please Note: A major cause of chimney related fires is due to a failure to maintain required clearances (air space) to combustible materials. It is of the greatest importance that this fireplace and vent system be installed only in accordance with these instructions.**

Clearance from Top of Unit to:	Clearance Dimension
Mantel	14" (356mm) See mantel clearance instructions, on this page.
Ceiling	36" (914mm)
Sidewall Clearance	9" (229mm)



Combustible Mantels

Because of the extreme heat this fireplace emits, the mantel clearances are critical. Combustible mantel clearances from top of the louvers are shown in the diagram below. Mantel may be installed anywhere in the shaded area or higher.



Note: A non-combustible mantel may be installed at a lower height if the framing is made of metal studs covered with a non-combustible board.

Note: Ensure the paint that is used on the mantel and the facing is "heat resistant" or the paint may discolour.

Offset Flue Adaptor

A Offset Flue Adaptor Kit, Part #532-920 is available as an accessory to move the flue outlet back for easier liner installations in deep fireplaces.

