

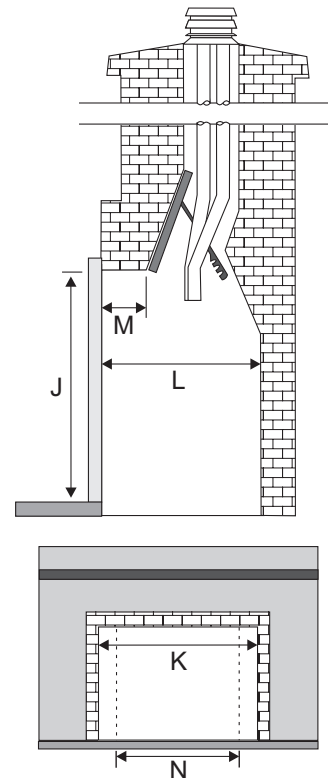
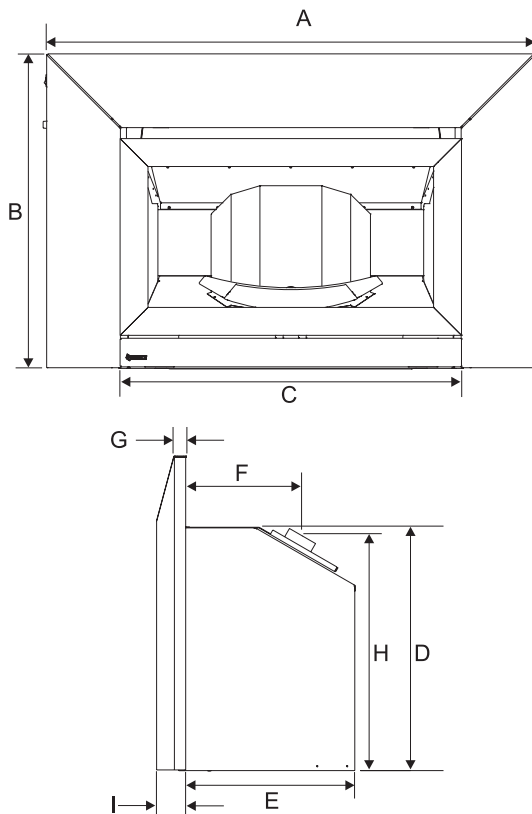
Model	E33S-NG1	E33S-LP1
Fuel Type	Natural Gas	Propane
Minimum Supply Pressure	5" W.C. (1.25 kPa)	12" W.C. (2.99 kPa)
Manifold Pressure - High	3.8" W.C. (0.95 kPa)	11" W.C. (2.74 kPa)
Manifold Pressure - Low	1.1" W.C. (0.27 kPa)	2.9" W.C. (0.72 kPa)
Orifice Size -Altitude 0-4500 ft.	#42 DMS	#54 DMS
Minimum Input Altitude 0-4500 ft. (0-1372m)	13,500 BTU/h (3.95 kW)	12,000 BTU/h (3.51 kW)
Maximum Input Altitude 0-4500 ft. (0-1372m)	26,000 BTU/h (7.61 kW)	23,000 BTU/h (6.74 kW)
Vent Sizing	3" Co-linear	3" Co-linear

Approved Venting Systems	
Flex Vent Systems:	FPI AstroCap™ Flex Vent



Minimum Fireplace Dimensions

The minimum fireplace dimensions for the FPI gas fireplace insert are shown in the following diagrams:



Dimension	Description	E33S
A	Faceplate Width	46-3/4" (1187mm)
B	Faceplate Height	30-5/8" (778mm)
C	Unit Width	32-1/8" (816mm)
D	Unit Height	23-3/4" (603mm)
E	Unit Depth	16-1/2" (419mm)
F	Faceplate to Vent Centerline	11-3/8" (290mm)
G	Faceplate Depth	1-1/8" (28mm)
H	Height to Vent Collar	22-7/8" (581mm)
I	Faceplate Depth	2-7/8" (72mm)

Dimension	Description	E33S
J	Height	24-3/16" (614mm)
K	Width	32-1/4" (819mm)
L	Depth	16-3/4" (426mm)
M	Max. Lintel Bar Depth	8" (203mm)
N	Rear Width	25" (635mm)

This manual is intended to be a Sales Reference Guide only. Do NOT use for actual framing and installation of any unit. Some specifications may change without notice. You must use the actual manual for exact installation specifications.

WARNING

Failure to maintain required clearances is a major cause of chimney related fires. Installation of this fireplace must comply with these clearances

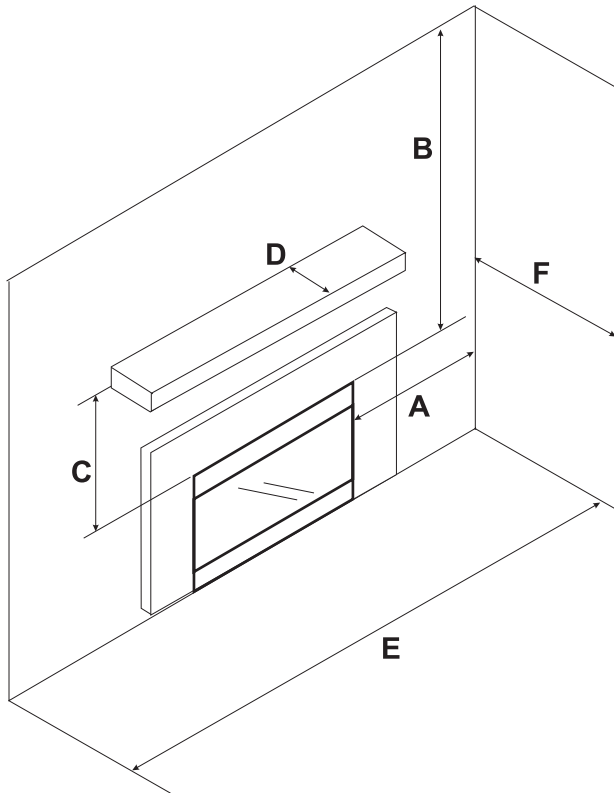
Please note: Due to ongoing product development, product appearance and specifications are subject to change without notice.

Clearances

Unless otherwise stated the clearances listed below are Minimum distances to combustible materials. **Please Note: A major cause of chimney related fires is due to a failure to maintain required clearances (air space) to combustible materials. It is of the greatest importance that this fireplace and vent system be installed only in accordance with these instructions.**

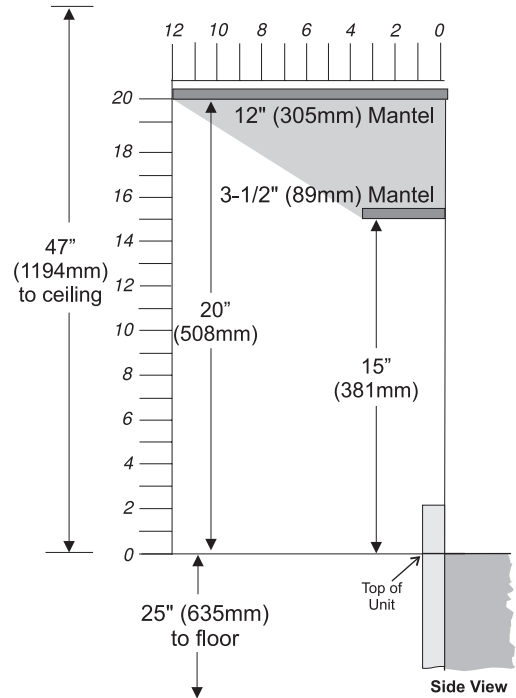
Clearances to Combustibles		
Dimension	Description	E33S
A*	From Unit to Side Walls	8" (203mm)
B	From Unit to Ceiling	47" (1194mm)
C	Minimum Mantel Height	15" (381mm)
D	Maximum Mantel Depth	3-1/2" (89mm)
E	Alcove Width	76" (1930mm)
F	Alcove Depth	36" (914mm)

* Alcove side wall must have a minimum of 8" (203mm) clearance on one side.



Combustible Mantels

Because of the extreme heat this fireplace emits, the mantel clearances are critical. Mantel may be installed anywhere in the shaded area or higher.



Note: A non-combustible mantel may be installed at a lower height.

Note: Ensure the paint that is used on the mantel and the facing is "heat resistant" or the paint may discolour.