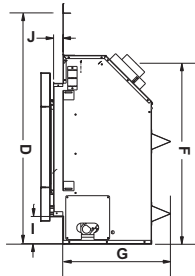
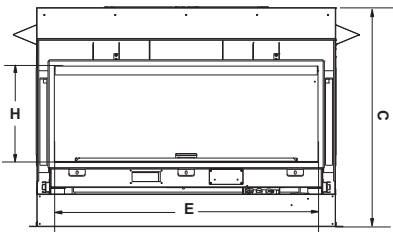
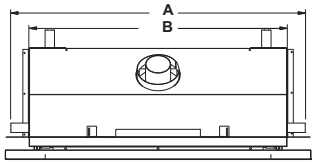


Model	HZ42-NG	HZ42-LP
Fuel Type	Natural Gas	Propane Gas
Minimum Supply Pressure	5" W.C. (1.25 kPa)	12" W.C. (2.98 kPa)
Manifold Pressure - High	3.5" W.C. (0.87 kPa)	10" W.C. (2.49 kPa)
Manifold Pressure - Low	1.6" W.C. (0.40 kPa)	6.4" W.C. (1.59 kPa)
Orifice Size	#40 DMS	#53 DMS
Minimum Input Altitude 0-4500 ft. (0-1372m)	17,500 BTU/h (5.13 kW)	19,500 BTU/h (8.79kW)
Maximum Input Altitude 0-4500 ft. (0-1372m)	26,000 BTU/h (7.62 kW)	24,500 BTU/h (10.84 kW)
Vent Sizing	4" Inner / 6-5/8" Outer	4" Inner / 6-5/8" Outer

Approved Venting Systems	
Flex Vent Systems:	FPI AstroCap™ Flex Vent
Rigid Pipe Vent Systems:	Simpson Direct Vent Pro® Selkirk Direct-Temp™ Metal-Fab® Sure Seal ICC Excel

## Unit Dimensions:

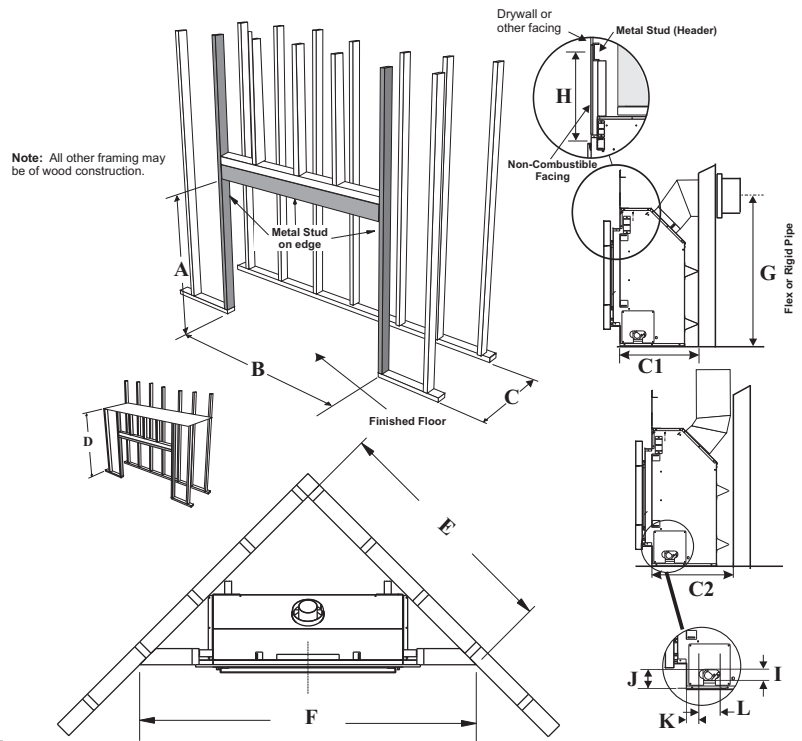
Unit Dimensions	Description	HZ42
A	Firebox Width (including standoffs)	47"
B	Firebox Width (excluding standoffs)	41"
C	Firebox Height (excluding standoffs)	30"
D	Firebox Height (including standoffs)	36-7/8"
E	Fireplace Opening Width	36"
F	Firebox Height to Top Vent Termination	28-7/8"
G	Firebox Depth (including standoffs)	18-5/8"
H	Fireplace Opening Height from Bottom Opening to Top Opening	12-7/8"
I	Fireplace Opening Height from Unit Base to Bottom Opening	4-7/16"
J	Depth from Opening to Side Front Edge	1-1/2"



## Framing Dimensions:

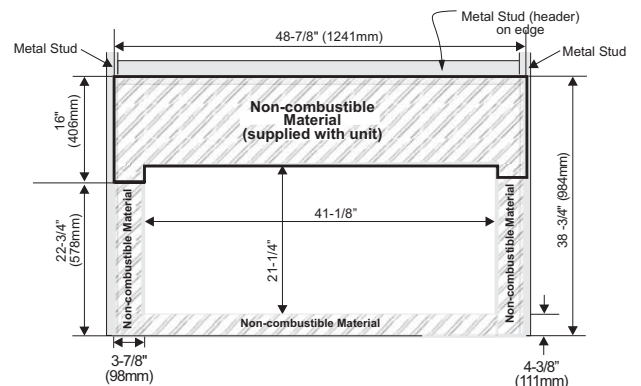
Framing Dimensions	Description	HZ54
A	Framing Height	37-1/4"
B	Framing Width	47-5/16"
C	Framing Depth*	C1 Horizontal Vent 18-3/4" C2 Vertical Vent 22"
D	Minimum Height to Combustibles	39-9/16"
E	Corner Wall Depth	51-1/2"
F	Corner Facing Wall Width	72-7/8"
G	Vent Centerline Height	33-1/4"
H	Non-combustible Facing Height	13"
I	Gas Connection Opening Height	2"
J	Gas Connection Height	4-1/2"
K	Gas Connection Inset	2-7/8"
L	Gas Connection Opening Width	4-5/8"

\* Framing depth measurement is noted with the side nailing strips set as far forward on firebox as possible. The side nailing strips can be adjusted back up to 1-1/2" to allow for varying thicknesses in non-combustible material & wall finishes.

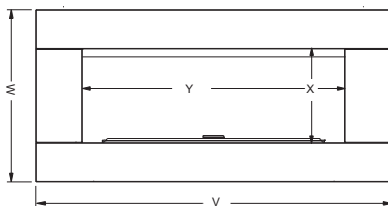


Note: All other framing may be of wood construction.

## Non-Combustible Requirements:



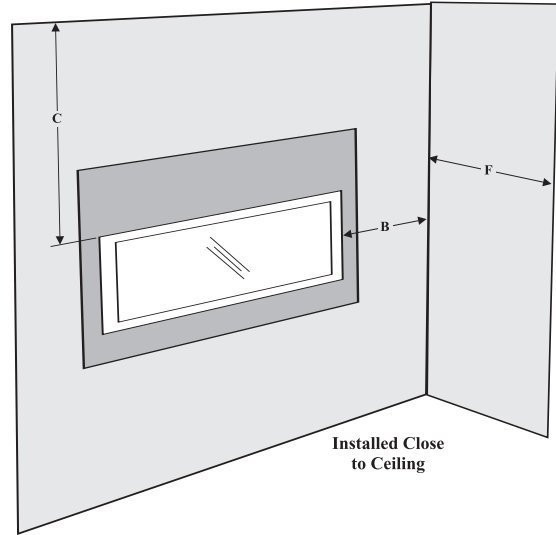
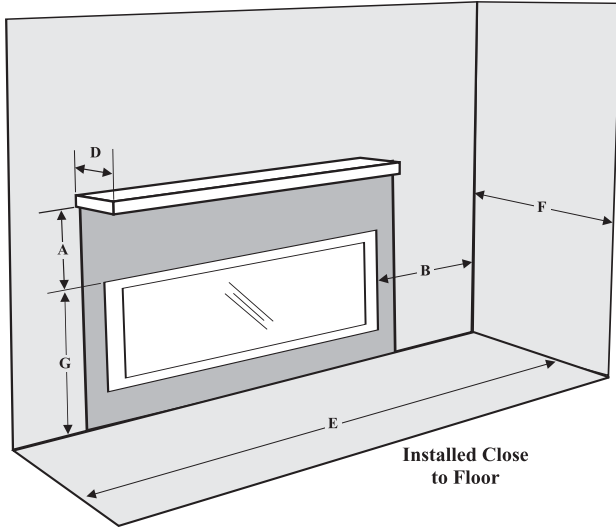
## Faceplate & Door Frame Dimensions:



Dimensions	Description	HZ42
V	Faceplate Width	48-3/4"
W	Faceplate Height	25-1/8"
X	Viewing Area Height	12-7/8"
Y	Viewing Area Width	36"

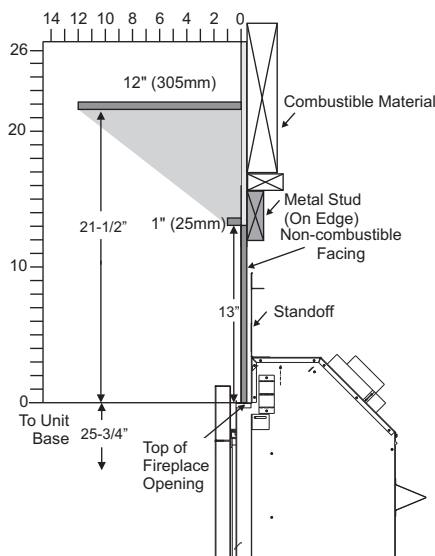
This manual is intended to be a Sales Reference Guide only. Do NOT use for actual framing and installation of any unit. Some specifications may change without notice. You must use the actual manual for exact installation specifications.

## HZ42 Gas Fireplace



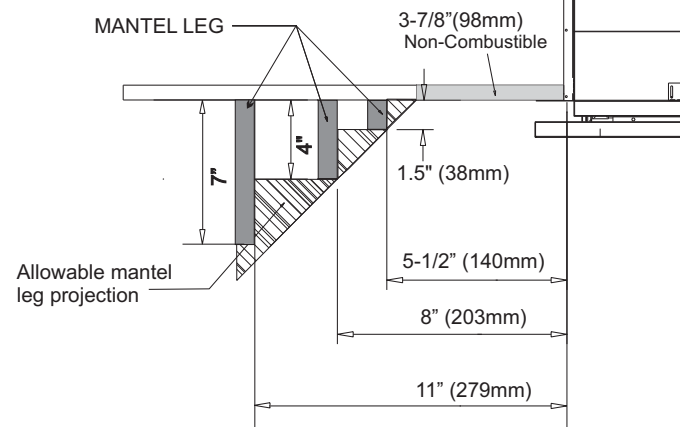
Clearance:	Dimension	Measured From:
<b>A: Mantel Height (min.)</b>	13" (330mm)	Top of Fireplace Opening
<b>B: Sidwall (on one side)</b>	8" (203mm)	Side of Fireplace Opening
<b>C: Ceiling (room and/or alcove)</b>	22" (559mm)	Top of Fireplace Opening
<b>D: Mantel Depth (max.)</b>	13" (330mm)	22" Above Fireplace Opening
<b>E: Alcove Width</b>	84" (2134mm)	Sidewall to Sidewall (Minimum)
<b>F: Alcove Depth</b>	36" (914mm)	Front to Back Wall (Maximum)
<b>G:</b>	25-3/4"	Base of Unit
<b>Note:</b>	0"	No Hearth Required

### MANTEL CLEARANCES



### MANTEL LEG CLEARANCES

Combustible mantel leg clearances as per diagram:



## WARNING

### Failure to maintain required clearances

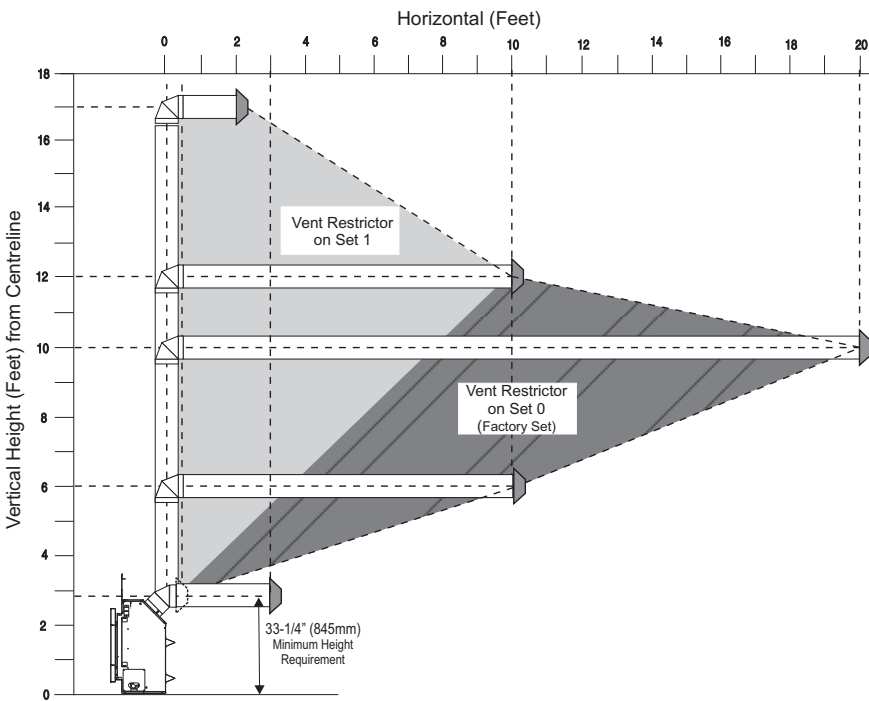
**Please note:** Due to ongoing product development, product appearance and specifications are subject to change without notice.

## VENTING ARRANGEMENTS

### ALLOWABLE HORIZONTAL TERMINATIONS FOR HZ42

The diagram shows all allowable combinations of vertical runs with horizontal terminations, using one 90° (two 45° elbows equal one 90° elbow).

**Note: Must use optional rigid pipe adapter (Part# 510-994) when using Rigid Pipe Venting Systems.**



#### VENT RESTRICTOR SETTING:

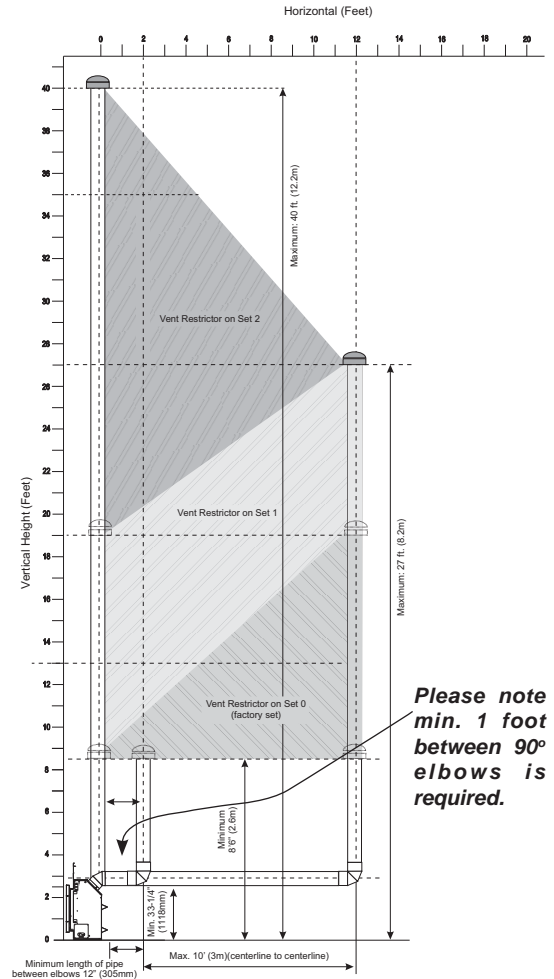
**Vent restrictor factory set at Set 0.**

Refer to the "Vent Restrictor Position" section for details on how to change the vent restrictor from the factory setting of Set 0 to Set 1 if required.

**Note: Regency® Direct Vent System (Flex) is only approved for horizontal terminations.**

- Maintain clearances to combustibles as listed in "Clearances" section
- Horizontal vent must be supported every 3 feet.
- Firestops are required at each floor level and whenever passing through a wall.
- A wall thimble is mandatory for all horizontal terminations due to high temperatures.

### ALLOWABLE VERTICAL TERMINATIONS FOR HZ42



**Please note min. 1 foot between 90° elbows is required.**

- Vent must be supported at offsets.
- Firestops are required at each floor level and whenever passing through a wall.
- Maintain clearances to combustibles as listed in the "Clearances" section.
- Refer to the "Vent Restrictor Position" section for details on how to change the vent restrictor from the factory setting of Set 0 to Set 1 or Set 2 if required.

**Note: Must use optional flue adaptor when using Rigid Pipe (Part # 510-994).**