

HZI540EB Gas Insert

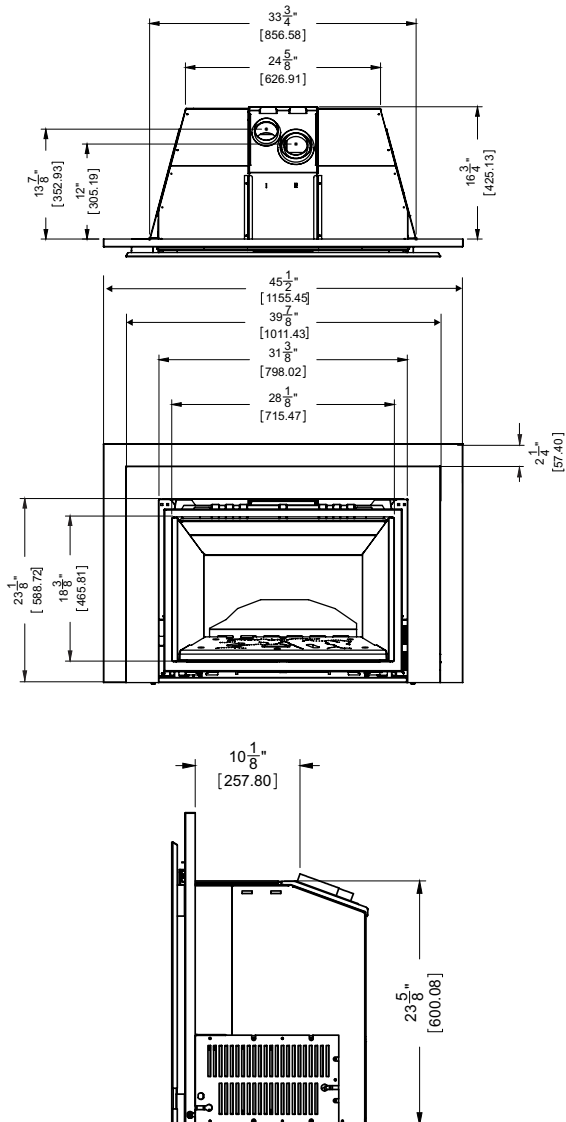
Model	HZI540EB-NG	HZI540EB-LP
Fuel Type	Natural Gas	Propane
Minimum Supply Pressure	5" W.C. (1.25 kPa)	11" W.C. (2.73 kPa)
Manifold Pressure - High	3.5" W.C. (0.87 kPa)	10" W.C. (2.48 kPa)
Manifold Pressure - Low	1.6" W.C. (0.41 kPa)	6.4" W.C. (1.59 kPa)
Orifice Size -Altitude 0-4500 ft.	#32 DMS	#51 DMS
Minimum Input Altitude 0-4500 ft. (0-1372m)	25,000 BTU/h (7.33 kW)	30,000 BTU/h (8.79 kW)
Maximum Input Altitude 0-4500 ft. (0-1372m)	38,000 BTU/h (11.14 kW)	38,000 BTU/h (11.14 kW)
Vent Sizing	3"x 4" Co-linear (Standard)	3"x 4" Co-linear (Standard)

Approved Venting Systems	
Flex Vent Systems:	FPI AstroCap™ Flex Vent

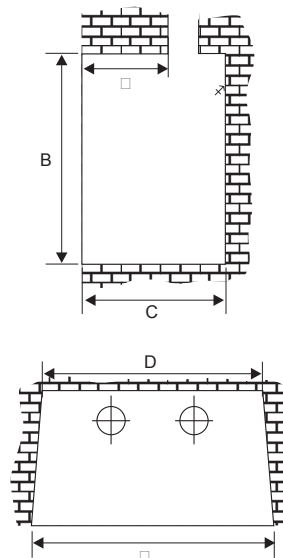


MINIMUM FIREPLACE DIMENSIONS

The minimum fireplace clearances & dimensions for the Regency gas insert are shown in the following diagrams:



	Max Lenth Bar Depth A	Height B	Depth C	Width (rear) D	Width (front) E
Low Profile Faceplate	10"	24"	16.75"	25"	34"
Full Screen Doors	10"	24"	16.75"	25"	34"



MINIMUM CLEARANCES TO COMBUSTIBLES

The clearances listed below are Minimum distances unless otherwise stated:

A major cause of fires is failure to maintain required clearances (air space) to combustible materials. It is of the greatest importance that this decorative gas appliance be installed only in accordance with these instructions.

Clearance:	Dimension	Measured From:
A: Sides	12" / 305 mm	From edge of surround
B: Ceiling	60" / 1524 mm	Bottom of unit
C: Mantel (Min. Height)*	*12" / 305mm 16" / 406mm	From top of unit, or 36" from bottom of unit From top of unit, or 40" from bottom of unit
D: Min. Hearth Depth	14" / 356mm	
E: Min. Hearth Width	44" / 1016mm	
G: Max. Mantle Depth	12" / 305 mm	@ 48" (1219mm) from bottom of unit
K: Min. Alcove Width	56" / 1422 mm	
L: Max. Alcove Depth	36" / 914 mm	
M: Optional mantel deflector	3-1/2" / 89mm	

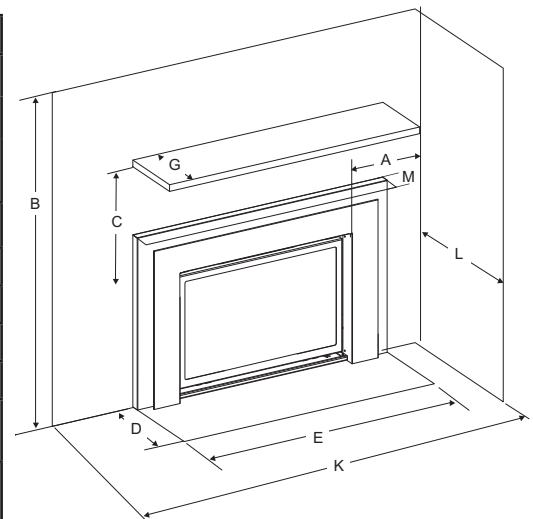


Diagram 1

Notes: Non-combustible hearth required.
 Min. Hearth requirements - 1" MightyLite® board plus 3/8" layer of tile or equivalent non-combustible material.
 If unit is raised 6" from the floor - no hearth is required.
 *An optional 3-1/2" mantel deflector, reduces the mantel height to 36" from bottom of unit @ 1" depth.

MANTEL CLEARANCES WITHOUT DEFLECTOR

MANTEL CLEARANCES WITH 3-1/2" DEFLECTOR

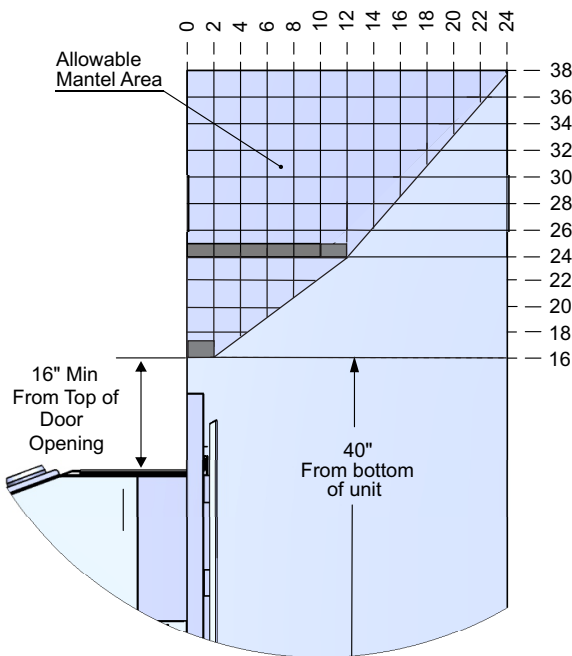


Diagram 2

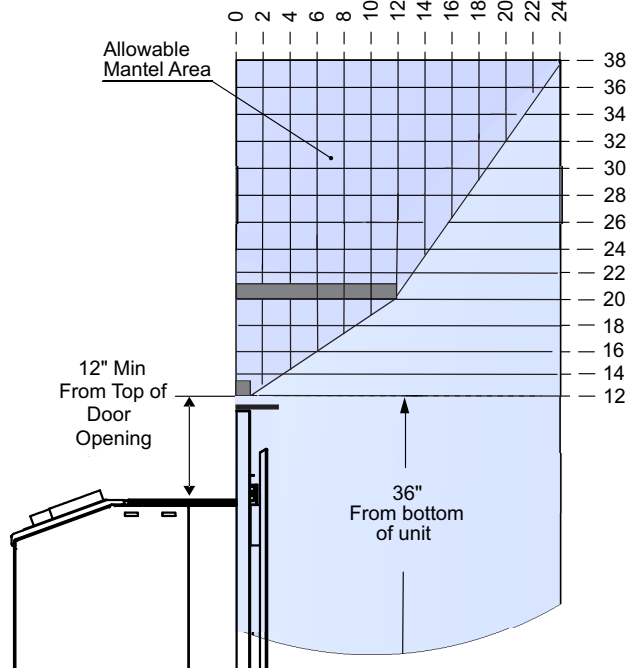


Diagram 3

WARNING

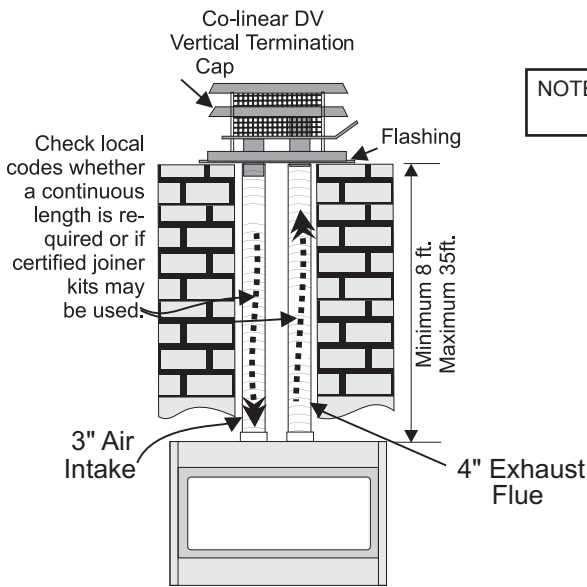
Although this appliance passes safety certification, the hearth in front of the fireplace becomes very hot when the fireplace heats. Do not use the hearth as a seat or shelf.

Note: A 3-1/2" mantel deflector to reduce mantel height to 36" from bottom of unit @ 1" depth.

A noncombustible mantel may be installed at a lower height if the framing is made of metal studs covered with a noncombustible board.

The Air Intake and exhaust pipes must be attached to the inlet and exhaust collars of the termination cap with a minimum of three screws per pipe.

Part #	Description
948-305	3" Flex - 35 ft. (Air intake)
948-336	4" Flex - 35 ft. (exhaust)
946-588	Co-linear DV Vertical Termination Cap



NOTE: Flashing should be securely fastened to the chimney.

Air Intake pipe and exhaust must be attached to the inlet and exhaust collars of the appliance with a minimum of three screws per pipe.

