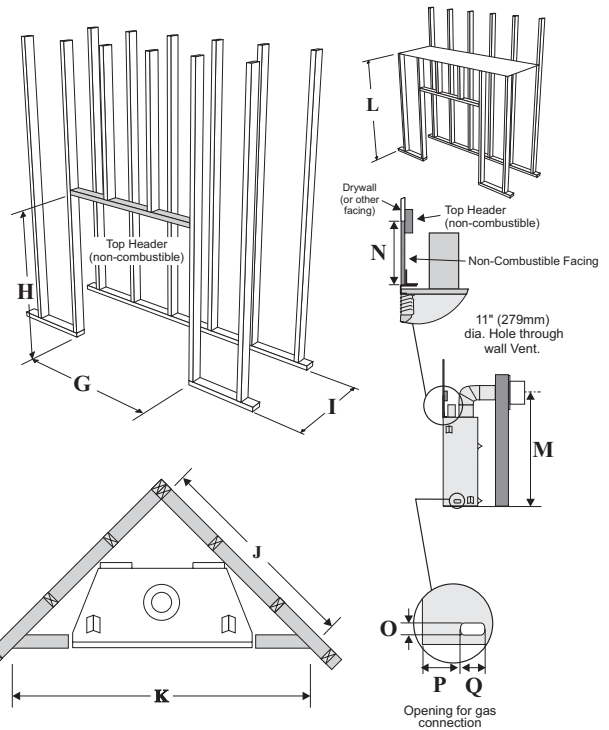
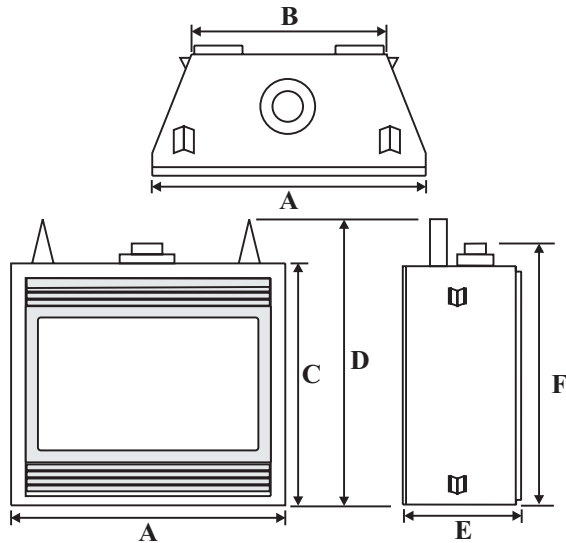


P40 Direct Vent Gas Fireplace

Model	P40-NG1	P40-LP1
Fuel Type	Natural Gas	Propane
Minimum Supply Pressure	5" W.C. (1.25 kPa)	12" W.C. (3.00 kPa)
Manifold Pressure - High	3.5" W.C. (0.87 kPa)	10" W.C. (2.49 kPa)
Manifold Pressure - Low	1.6" W.C. (0.39 kPa)	3.6" W.C. (0.89 kPa)
Orifice Size - Front Burner	#44 DMS	#55 DMS
Orifice Size - Rear Burner	#35 DMS	#53 DMS
Minimum Input	13,000 BTU/h (3.81 kW)	12,000 BTU/h (3.51 kW)
Maximum Input	45,000 BTU/h (13.19 kW)	43,000 BTU/h (12.60 kW)
Vent Sizing	5" Inner / 8" Outer	5" Inner / 8" Outer

Approved Venting Systems

Flex Vent Systems:	FPI AstroCap™ Flex Vent
Rigid Pipe Vent Systems:	Simpson Dura-Vent® Direct Vent GS Selkirk Direct-Temp



Unit Dimensions	Description	P40
A	Front Face Width	40" (1016mm)
B	Rear Firebox Width	33-7/16" (889mm)
C	Front Face Height	34" (864mm)
D	Height w/ Standoff	42-1/2" (1080mm)
E	Unit Depth	20-1/16" (508mm)
F	Height to Vent	35-1/4" (826mm)
Framing Dimensions	Description	P40
G	Framing Width	40-1/2" (1029mm)
H***	Framing Height***	42-1/2" (1080mm)*** + Hearth
I	Framing Depth	20-1/16" (508mm)
J	Corner Wall Length	50-5/8" (1286mm)
K	Corner Facing Wall Width	71-5/8" (1524mm)
L	Minimum Height to Combustibles	51-7/8" (1318mm)
M	Vent Centerline Height	45-3/8" (1153mm)
N	Non-Combustible Facing Height	10-1/4" (260mm)
O	Gas Connection Height	1-1/2" (38mm)
P	Gas Connection Inset	4-3/4" (121mm)
Q	Gas Connection Width	3-1/4" (102mm)

***Important: Framing height requires consideration of the hearth depth. Dimension H = H + the thickness of installed hearth.

Please refer to Page 11 (Exterior Vent Terminations) for additional guidelines on vent locations.

P40 Gas Fireplace

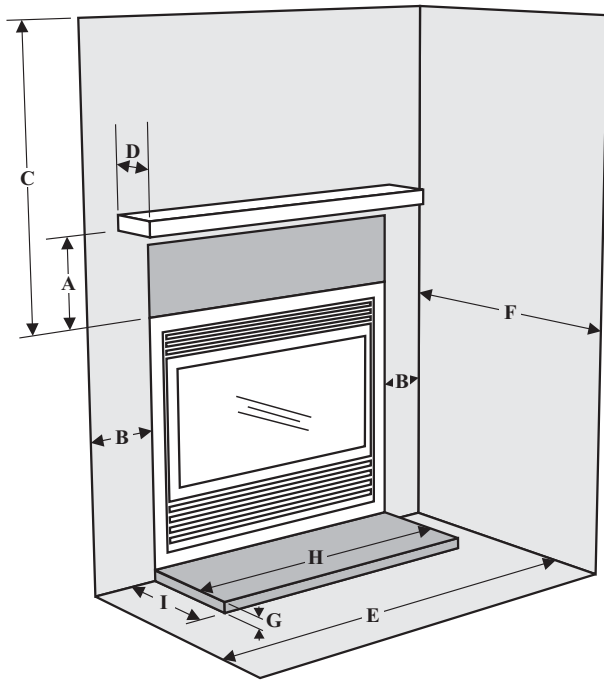
Framing and Finishing

- 1) Frame the enclosure for the unit with framing material. Use the determined total thickness of facing material (e.g. drywall plus ceramic tiles) to adjust the framing depth to allow the finished surface to be flush with the front of the unit. Total facing thickness can vary from 1/2" (13mm) to 1-1/4" (32mm) thick.
Note: Header for the P40 must be non combustible.
- 2) For exterior walls, insulate the enclosure to the same degree as the rest of the house, apply vapor barrier and drywall, as per local installation codes. **(Do not insulate the fireplace itself.)**
- 3) Ensure that all of the clearances listed below are met. Combustible material may be brought up to the sides of the unit and be covered with ceramic tiles, bricks, rock or other suitable combustible finishing materials. **Non-combustible facing is required above the unit. (See Dimension "N" on page 41)**
Note: You must maintain proper clearances from the vent to combustible materials (See Below).
- 4) Use metal studs for framing where the minimum clearance from the vent to combustible material cannot be maintained.

Clearance Requirements

Required hearth must be non-combustible. (Page 43)

Required non-combustible facing above unit. (See Dimension "N" on page 41)



Vent Clearances	Clearance Dimension
Horizontal - Top	2-1/2" (64mm)
Horizontal - Side	1-1/2" (38mm)
Horizontal - Bottom	1-1/2" (38mm)
Vertical (Flex or Rigid)	1-1/4" (32mm)

WARNING

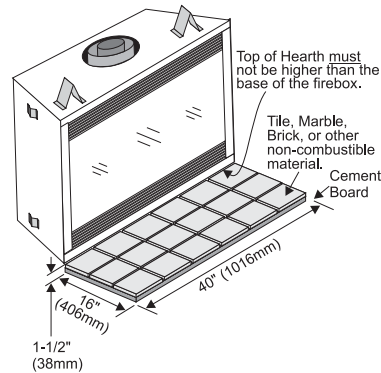
Failure to maintain required clearances is a major cause of chimney related fires. Installation of this fireplace must comply with these clearances.

Hearth Requirements

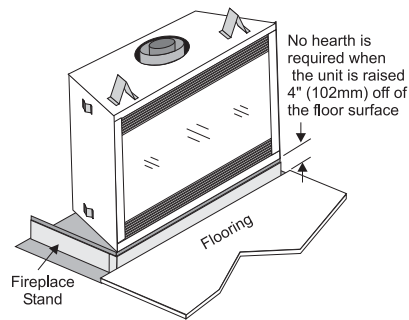
A 40" (1016mm) wide x 16" (406mm) deep x 1-1/2" (38mm) thick hearth is required, unless the unit is raised 4" (102mm).

All measurements are from the bottom of the unit. Therefore the bottom of the unit would be flush with the top of a non-combustible hearth or 4" above the surface of a combustible floor.

Floor Mounted Fireplace

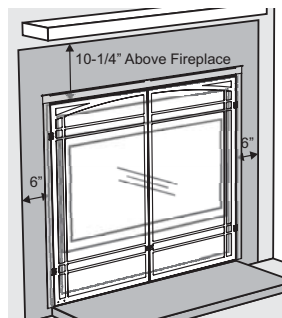


Raised Fireplace



Clearance:	Dimension	Measured From:
A: Mantel Height	12" (305mm)	Minimum (Additional on this page)
B: Sidewall	8" (203mm)	Side of installed front
C: Ceiling	39" (991mm)	Top of installed unit
D: Mantel Depth	13" (330mm)	Maximum (Additional on this page)
E: Alcove Width	56" (1422mm)	Sidewall to Sidewall (Minimum)
F: Alcove Depth	36" (914mm)	Front to back wall (Maximum)
G: Hearth Height	1-1/2" (39mm)	Floor to top of Hearth. (Hearth must not be higher than base of firebox.)
H: Hearth Width	40" (1016mm)	Edge to Edge of Hearth
I: Hearth Depth	16" (406mm)	Front of Hearth to Wall

Full Screen Door Facing Requirements

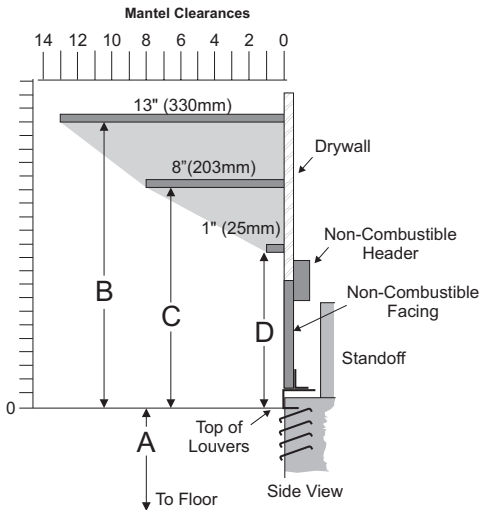


WARNING: When installing the Full Screen Doors

The Full Screen Front requires additional non-combustible facing and non-combustible framing. Ensure the 10-1/4" above the fireplace, 6" on both sides and both the header and side studs are non-combustible materials. All other clearances, including mantel, remain the same.

Combustible Mantels

Because of the extreme heat this fireplace emits, the mantel clearances are critical. Combustible mantel clearances from top of the louvers are shown in the diagram below. Mantel may be installed anywhere in the shaded area or higher.



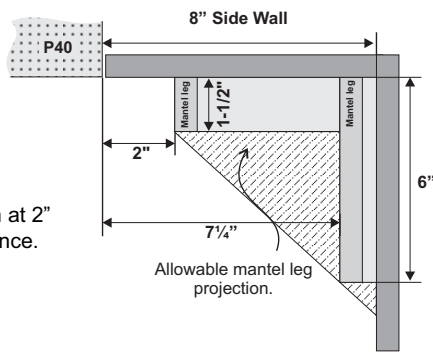
Mantel Clearances	A	B	C	D
Front	33" (838mm)	21" (356mm)	17" (254mm)	12" (178mm)

Note: If desired a non-combustible mantel may be installed at a lower height.

Note: Ensure the paint that is used on the mantel and the facing is "heat resistant" or the paint may discolour.

Mantel Leg Clearances

Combustible mantel leg clearances as per diagram below. Clearances are from the finished edge of the unit or installed front.



Maximum 1-1/2" projection at 2" minimum clearance.

Regency Direct Vent System (Flex) Horizontal Terminations Only

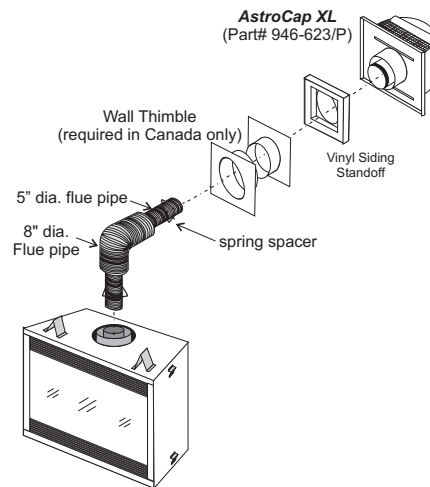
These venting systems, in combination with the P40 Direct Vent Gas Fireplace, have been tested and listed as a direct vent heater system by Warnock Hersey. The location of the termination cap must conform to the requirements in the Vent Terminal Locations diagram.

FPI Direct Vent (Flex) System Termination Kits include all the parts needed to install the P40 using a flexible vent.

FPI Kit #	Length	Contains:
#946-618	6 Feet	<ol style="list-style-type: none"> 1) 8" flexible outer liner (Kit length) 2) 5" flexible inner liner (Kit length) 3) spring spacers (3) 4) thimble (2) 5) AstroCap termination cap (1)
#946-616	10 Feet	<ol style="list-style-type: none"> 6) screws (12) 7) tube of Mill Pac (1) 8) plated screws (8) 9) S.S. screws #8 x 1-1/2" drill point, (4) 10) vinyl siding standoff

Notes:

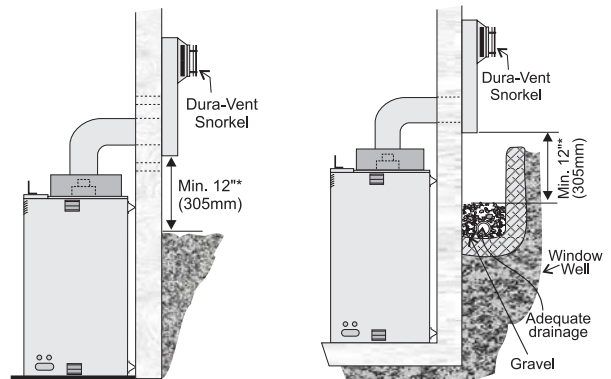
- 1) Liner sections should be continuous without any joints or seams.
- 2) Only Flex pipe purchased from Regency may be used for Flex installations.
- 3) Horizontal sections must be supported every 3 feet.



Snorkel Terminations

Snorkel Terminations:

For installations requiring a vertical rise on the exterior of the building, 14-inch and 36-inch tall Snorkel Terminations are available. Follow the same installation procedures as used for standard Horizontal Termination. NEVER install the snorkel upside down.

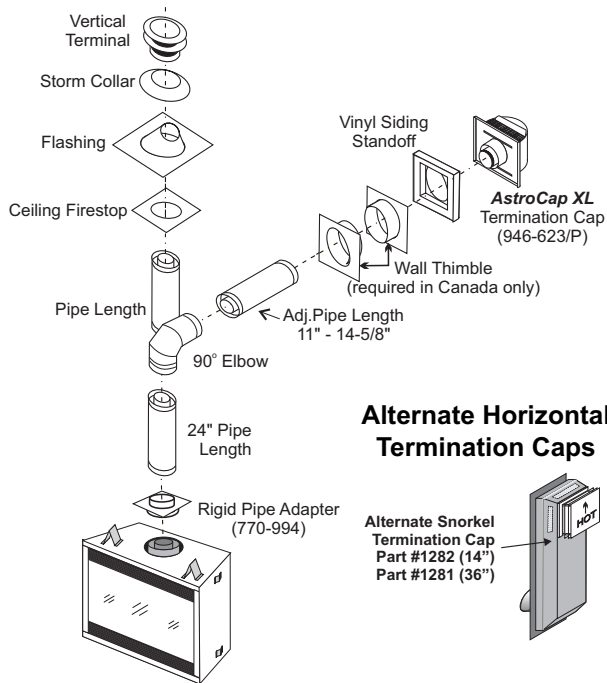


Below Grade Snorkel Installation (Dura-Vent Only)

If the Snorkel Termination must be installed below grade, i.e. basement application, proper drainage must be provided to prevent water from entering the Snorkel Termination. Refer to Rigid Pipe Installation instructions for details. Do not attempt to enclose the Snorkel within the wall, or any other type of enclosure.

P40 Gas Fireplace

Rigid Pipe Venting Horizontal or Vertical Terminations



If required by the external termination location the listed alternate termination caps may be used. (Refer to Page 11)

Venting Arrangements - Vertical Terminations

Rigid Pipe System

(Propane & Natural Gas)

Two 45° elbows = One 90° elbow

The P40 is approved for a maximum 40 ft. straight vertical, with **Rigid Pipe** vent systems for Propane and Natural Gas.

The diagram to the right shows allowable combinations of straight vertical and offset to vertical terminations with **Rigid Pipe** vent systems for Propane and Natural Gas. Maximum two 90° elbows allowed.

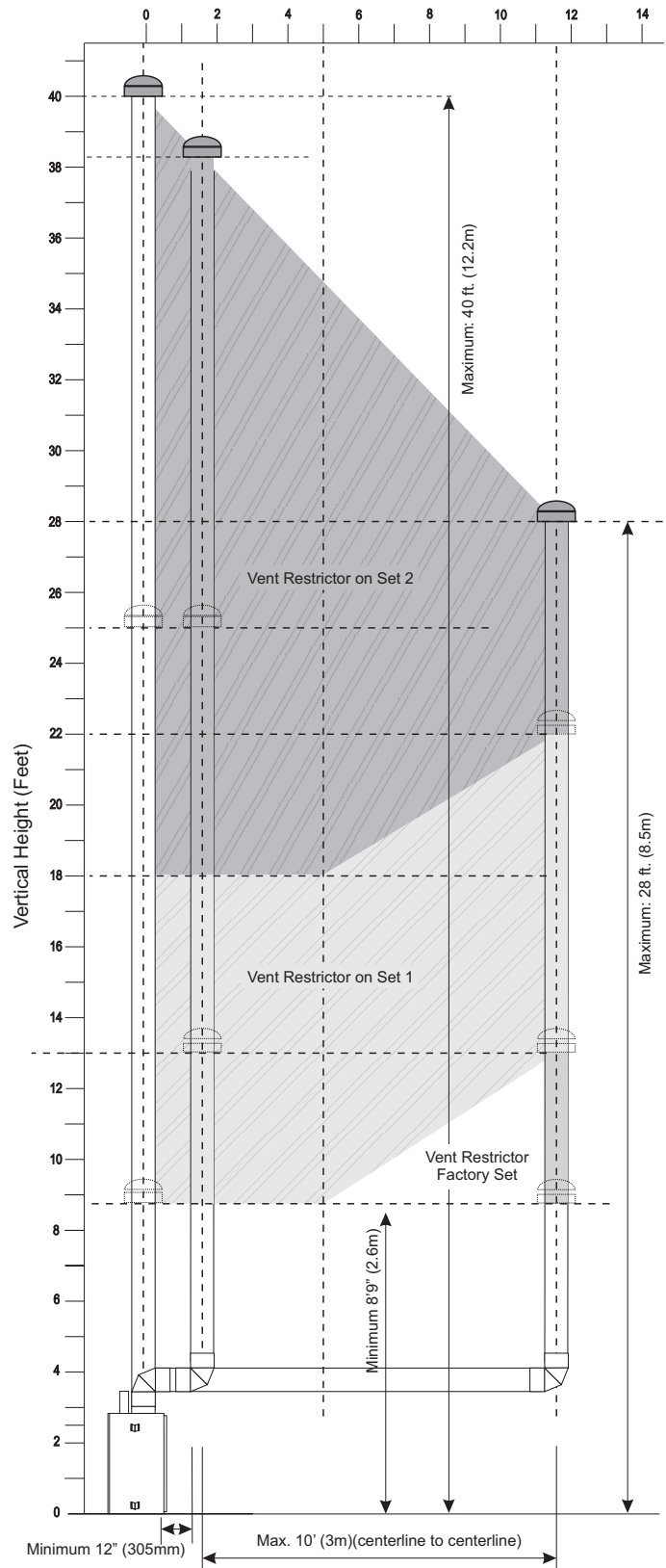
The unshaded area in the diagram shows allowable venting configurations with the Vent Restrictor Factory Set.

The lightly shaded area, , in the diagram shows all allowable venting configurations with the Vent Restrictor on Set 1.

The darker shaded area, , in the diagram shows allowable venting configurations with the Vent Restrictor on Set 2.

- **Vent must be supported at offsets.**
- **Horizontal sections must be supported every 3 feet**
- **Firestops are required at each floor level and whenever passing through a wall.**
- **Maintain clearances to combustible materials.**
- **Minimum of 1' pipe section between any elbows.**

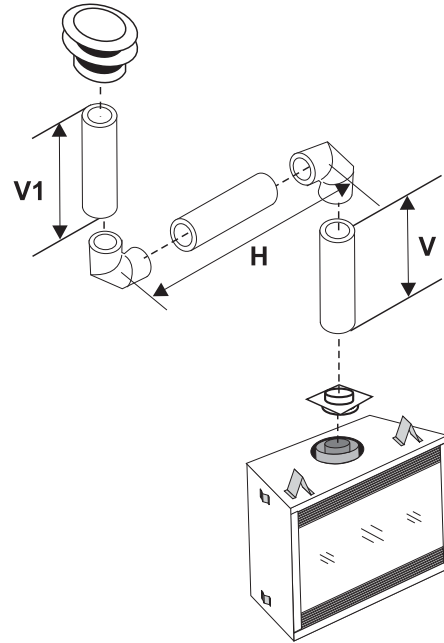
Note: Must use optional rigid pipe adapter when using Rigid Pipe (Part # 770-994).



Vertical Venting with Two (2) 90° Elbows

Two 45° elbows = One 90° elbow

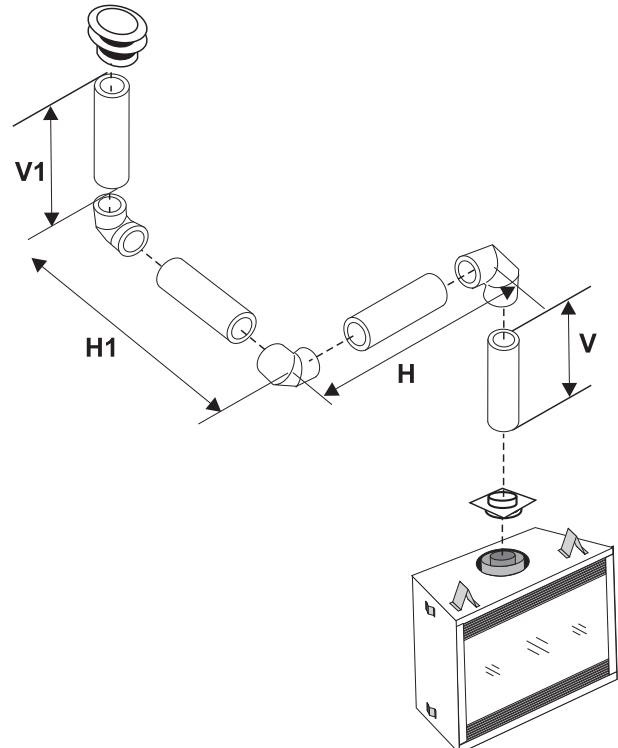
Option	V	H	V+ V1	Maximum total pipe: length, of all sections, must not exceed 30 feet. Total horizontal sections must not exceed 8 feet. Minimum of 1' pipe section between any elbows. When the total vertical exceeds total horizontal by 2x then the vent restrictor must be set to 1.
A)	0' Min.	2' Max.	1' Min.	
B)	1' Min.	4' Max.	2' Min.	
C)	2' Min.	5' Max.	3' Min.	
D)	3' Min.	6' Max.	4' Min.	
E)	4' Min.	7' Max.	5' Min.	
F)	5' Min.	8' Max.	6' Min.	



Vertical Venting with Three (3) 90° Elbows

Two 45° elbows = One 90° elbow

Option	V	H + H1	V+ V1	Maximum total pipe: length, of all sections, must not exceed 30 feet. Total horizontal sections must not exceed 8 feet. Minimum of 1' pipe section between any elbows. When the total vertical exceeds total horizontal by 3x then the vent restrictor must be set to 1.
A)	0' Min.	2' Max.	3' Min.	
B)	1' Min.	2' Max.	3' Min.	
C)	2' Min.	3' Max.	4' Min.	
D)	3' Min.	4' Max.	6' Min.	
E)	4' Min.	5' Max.	7' Min.	
F)	5' Min.	6' Max.	8' Min.	
G)	6' Min.	7' Max.	9' Min.	
H)	7' Min.	8' Max.	10' Min.	



P40 Gas Fireplace

Venting Arrangements - Horizontal Terminations

Two 45° elbows = One 90° elbow

This diagram shows all allowable combinations of vertical runs with horizontal terminations, **using one 90° elbow**

The unshaded area in the diagram shows allowable venting configurations with the Vent Restrictor Factory Set.

The lightly shaded area, in the diagram shows allowable venting configurations with the Vent Restrictor on Set 1.

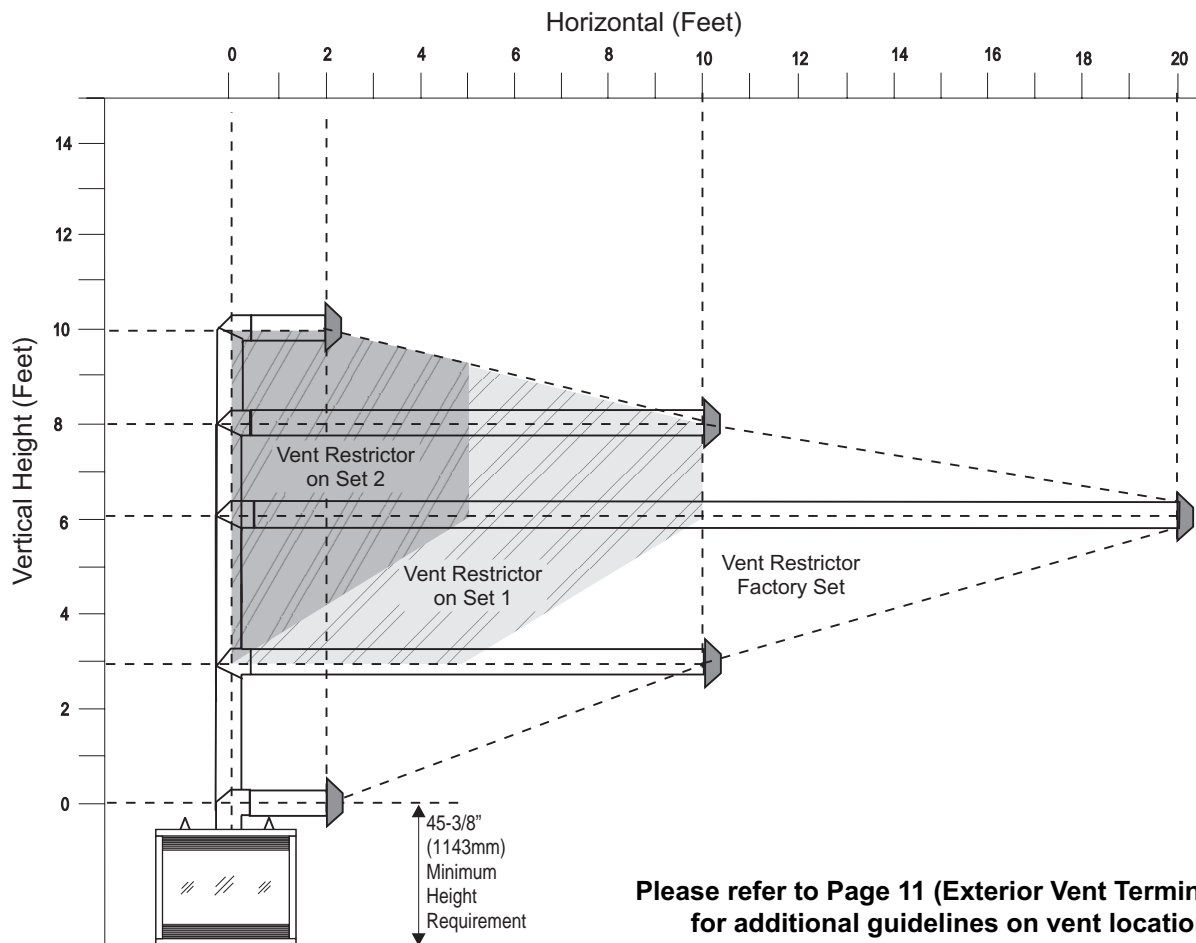
The darker shaded area, in the diagram shows allowable venting configurations with the Vent Restrictor on Set 2.

Note: Must use optional rigid pipe adapter (Part # 770-994) when using Rigid Pipe.

- Maintain clearances to combustibles.
- Horizontal vent must be supported every 3 feet.
- Minimum of 1' pipe section between any elbows.
- Firestops are required at each floor level and whenever passing through a wall.

A vent guard may be required as per local codes, refer to page 11 for "Exterior Vent Termination Locations".

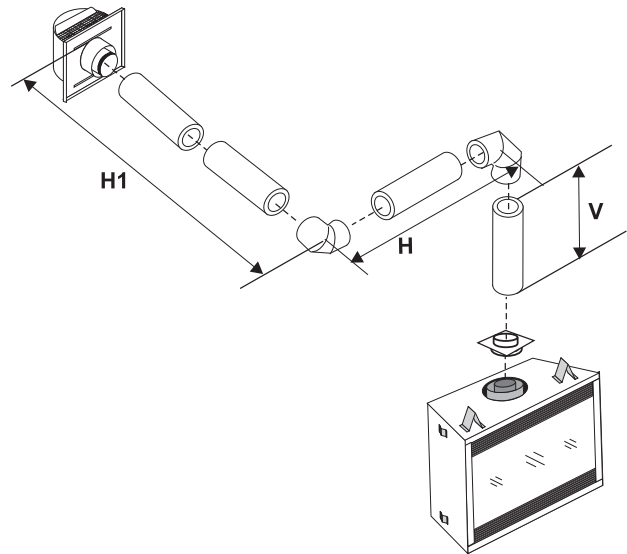
Note: FPI Direct Vent System (Flex) is only approved for horizontal terminations.



Horizontal Venting with Two (2) 90° Elbows

Two 45° elbows = One 90° elbow

Option	V	H+ H1	Maximum total pipe: length, of all sections, must not exceed 30 feet. Total horizontal sections must not exceed 8 feet. Minimum of 1' pipe section between any elbows. When the total vertical exceeds total horizontal by 2x then the vent restrictor must be set to 1.
A)	2' Min.	2' Max.	
B)	3' Min.	5' Max.	
C)	4' Min.	6' Max.	
D)	5' Min.	7' Max.	
E)	6' Min.	8' Max.	



Horizontal Venting with Three (3) 90° Elbows

Two 45° elbows = One 90° elbow

Option	V	H	V+ V1	H + H1	Maximum total pipe: length, of all sections, must not exceed 30 feet. Total horizontal sections must not exceed 9 feet. Minimum of 1' pipe section between any elbows. When the total vertical exceeds total horizontal by 3x then the vent restrictor must be set to 1.
A)	0' Min.	1' Max.	1' Min.	1' Max.	
B)	1' Min.	2' Max.	3' Min.	3' Max.	
C)	2' Min.	2' Max.	5' Min.	4' Max.	
D)	3' Min.	2' Max.	7' Min.	5' Max.	
E)	4' Min.	3' Max.	9' Min.	6' Max.	
F)	5' Min.	4' Max.	10' Min.	7' Max.	
G)	6' Min.	5' Max.	11' Min.	8' Max.	
H)	7' Min.	6' Max.	12' Min.	9' Max.	

