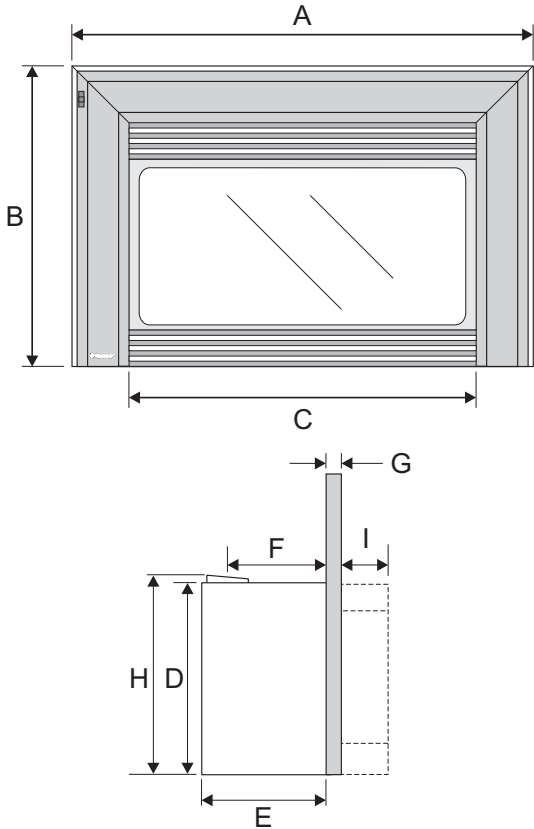


U32 Regency Gas Insert

U32 Regency Gas Insert

Model	U32-NG5	U32-LP5
Fuel Type	Natural Gas	Propane
Minimum Supply Pressure	5" W.C. (1.25 kPa)	12" W.C. (2.99 kPa)
Manifold Pressure - High	3.8" W.C. (0.95 kPa)	11" W.C. (2.74 kPa)
Manifold Pressure - Low	1.1" W.C. (0.27 kPa)	2.9" W.C. (0.72 kPa)
Orifice Size -Altitude 0-4500 ft.	#37 DMS	#52 DMS
Minimum Input Altitude 0-4500 ft. (0-1372m)	15,300 BTU/h (4.48 kW)	15,000 BTU/h (4.40 kW)
Maximum Input Altitude 0-4500 ft. (0-1372m)	30,000 BTU/h (8.79 kW)	30,000 BTU/h (8.79 kW)
Vent Sizing	3" Co-linear	3" Co-linear

Approved Venting Systems	
Flex Vent Systems:	FPI AstroCap™ Flex Vent



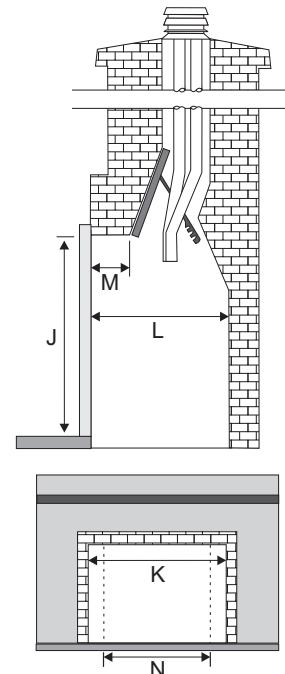
Dimension	Description	U32
A	Faceplate Width	40-1/4" (1022mm)
B	Faceplate Height	26-1/4" (667mm)
C	Unit Width	28" (711mm)
D	Unit Height	20" (508mm)
E	Unit Depth	13-3/4" (349mm)
F	Faceplate to Vent Centerline	10-3/4" (273mm)
G	Faceplate Depth	1-3/8" (35mm)
H	Height to Vent Collar	21-1/16" (535mm)
I	Optional or Standard Front Depth	3-3/4" (95mm)



Gas Inserts

Minimum Fireplace Dimensions

The minimum fireplace dimensions for the FPI gas fireplace insert are shown in the following diagrams:



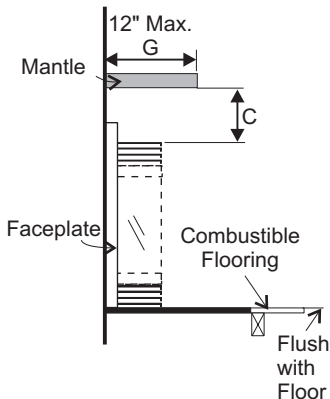
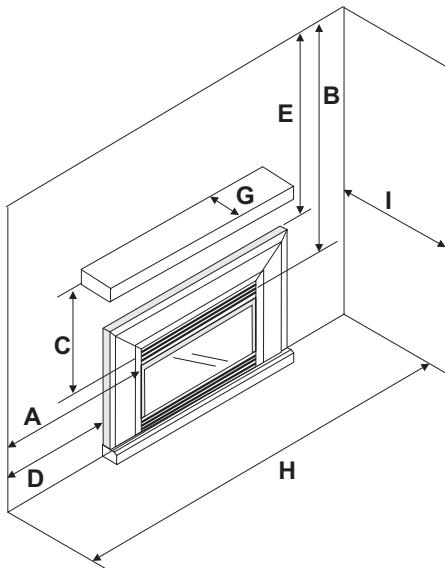
Dimension	Description	Contour Faceplate	Molded Faceplate
J	Height	22" (559mm)	22" (559mm)
K	Width	26-1/2" (673mm)	29" (737mm)
L	Depth	14" (356mm)	15" (381mm)
M	Max. Lintel Bar Depth	9" (229mm)	10" (254mm)
N	Rear Width	22-1/2" (572mm)	22-1/2" (572mm)

U32 Regency Gas Insert

Clearances

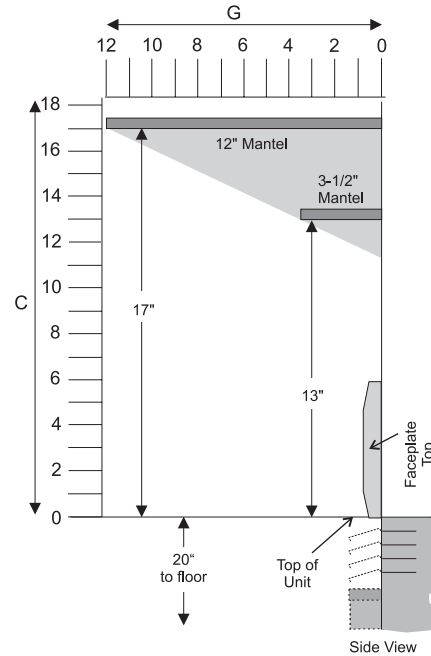
Unless otherwise stated the clearances listed below are Minimum distances to combustible materials. **Please Note: A major cause of chimney related fires is due to a failure to maintain required clearances (air space) to combustible materials. It is of the greatest importance that this fireplace and vent system be installed only in accordance with these instructions.**

Clearances to Combustibles		
Dimension	Description	U32
A	From Unit to Sides	10" (254mm)
B	From Unit to Ceiling	47.5" (1207mm)
C	From Unit to Mantel	see diagram 2 & 3
D	From Standard Surround to Sides	4" (102mm)
E	From Standard Surround to Ceiling	41.5" (1054mm) also see diagram 2 & 3
G	Maximum Mantel Depth	12" (305mm) see diagram 2
H	Minimum Alcove Width	48" (1219mm)
I	Maximum Alcove Depth	36" (914mm)
*	No Hearth Required	



Combustible Mantels

Because of the extreme heat this fireplace emits, the mantel clearances are critical. Combustible mantel clearances from top of the louvers are shown in the diagram below. Mantel may be installed anywhere in the shaded area or higher.



Note: A non-combustible mantel may be installed at a lower height.

Note: Ensure the paint that is used on the mantel and the facing is "heat resistant" or the paint may discolour.