

## U35 Gas Insert

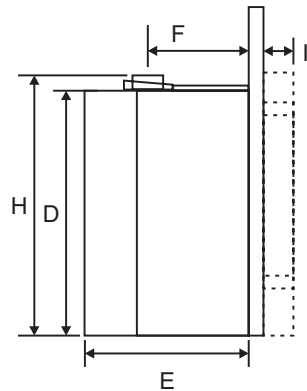
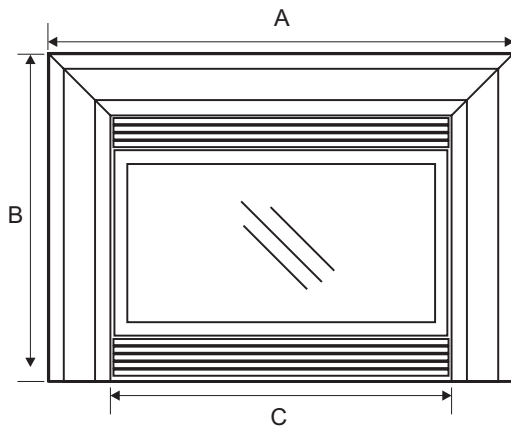
Model	U35-NG1	U35-LP1
Fuel Type	Natural Gas	Propane
Minimum Supply Pressure	5" W.C. (1.25 kPa)	12" W.C. (2.99 kPa)
Manifold Pressure - High	3.8" W.C. (0.95 kPa)	11" W.C. (2.74 kPa)
Manifold Pressure - Low	1.1" W.C. (0.27 kPa)	2.9" W.C. (0.72 kPa)
Orifice Size -Altitude 0-4500 ft.	#33 DMS	#50 DMS
Minimum Input Altitude 0-4500 ft. (0-1372m)	17,500 BTU/h (5.13 kW)	17,500 BTU/h (5.13 kW)
Maximum Input Altitude 0-4500 ft. (0-1372m)	35,000 BTU/h (10.26 kW)	35,000 BTU/h (10.26 kW)
Vent Sizing	3" Co-linear	3" Co-linear

### Approved Venting Systems

Flex Vent Systems: FPI AstroCap™ Flex Vent

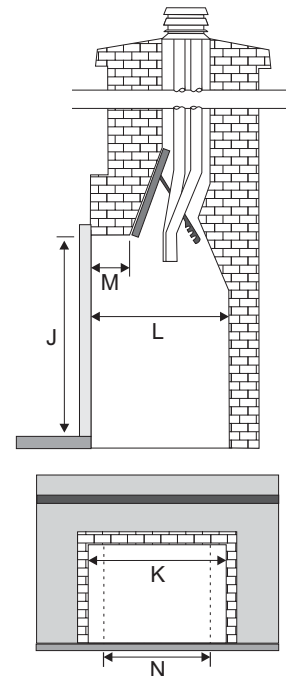


Gas Inserts



### Minimum Fireplace Dimensions

The minimum fireplace dimensions for the FPI gas fireplace insert are shown in the following diagrams:



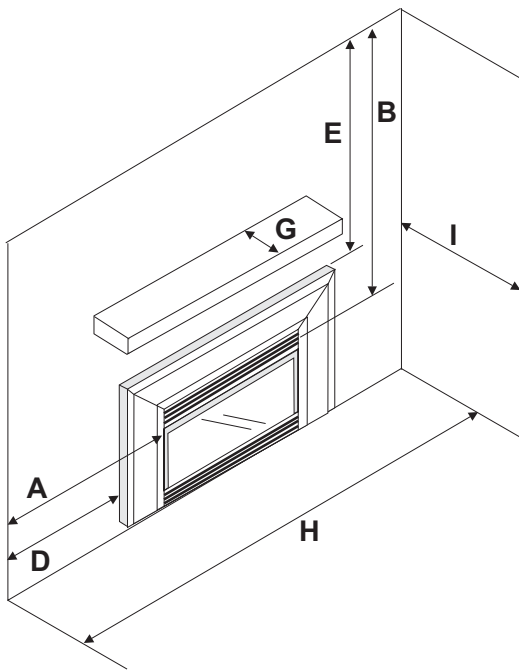
Dimension	Description	U35
A	Faceplate Width	45-9/16" (1157mm)
B	Faceplate Height	31-1/8" (791mm)
C	Unit Width	32-1/4" (819mm)
D	Unit Height	24" (610mm)
E	Unit Depth	16-1/8" (410mm)
F	Faceplate to Vent Centerline	9-7/8" (251mm)
G	Faceplate Depth	1-3/8" (35mm)
H	Height to Vent Collar	25 1/2" (648mm)
I	Optional or Standard Front Depth	3-3/4" (95mm)

Dimension	Description	Contour Faceplate	Molded Faceplate / Palace Font
J	Height	25" (635mm)	26-3/4" (679mm)
K	Width	32-1/4" (819mm)	34-1/2" (876mm)
L	Depth	17" (432mm)	18" (457mm)
M	Max. Lintel Bar Depth	9" (229mm)	10" (254mm)
N	Rear Width	25" (635mm)	25" (635mm)

## Clearances

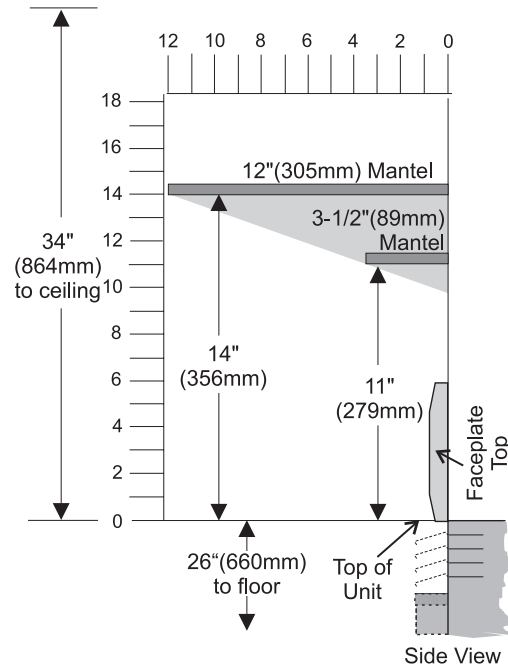
Unless otherwise stated the clearances listed below are Minimum distances to combustible materials. **Please Note: A major cause of chimney related fires is due to a failure to maintain required clearances (air space) to combustible materials. It is of the greatest importance that this fireplace and vent system be installed only in accordance with these instructions.**

Clearances to Combustibles		
Dimension	Description	U35
A	From Unit to Sides	10" (254mm)
B	From Unit to Ceiling	34" (864mm)
D	From Standard Surround to Sides	1-15/16" (49mm)
E	From Standard Surround to Ceiling	28-7/8" (733mm)
G	Maximum Mantel Depth	12" (305mm)
H	Minimum Alcove Width	48" (1219mm)
I	Maximum Alcove Depth	36" (914mm)
*	No Hearth Required	

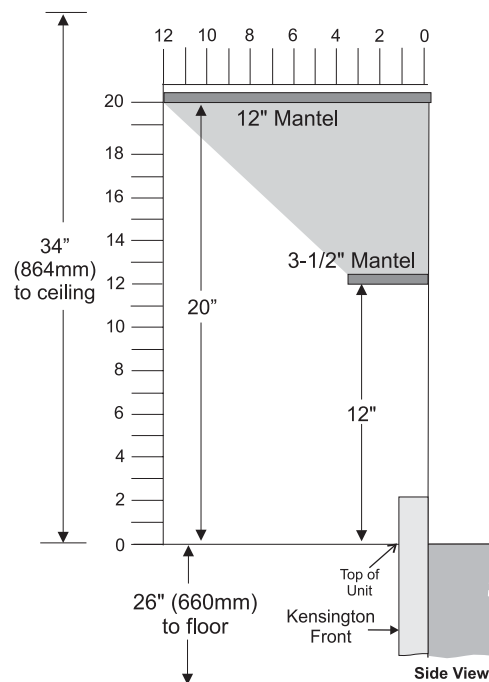


## Combustible Mantels

**Because of the extreme heat this fireplace emits, the mantel clearances are critical.** Combustible mantel clearances from top of the louvers are shown in the diagram below. Mantel may be installed anywhere in the shaded area or higher.



Bay & Flush Front Mantel Clearances



Kensington Front Mantel Clearances

**Note:** A non-combustible mantel may be installed at a lower height.

**Note:** Ensure the paint that is used on the mantel and the facing is "heat resistant" or the paint may discolour.