

# Classic Collection

## Woodbridge Gas Fireplaces



### 10" Deep Direct Vent Gas Fireplace

- \* Traditional fireplace with a minimalistic look
- \* Ideal for condos and small rooms
- \* Shallow framing depth requirement
- \* Rear vented for simplicity of installation
- \* Can be installed into a large wood burning fireplace like a gas insert
- \* Standing pilot or electronic ignition models available for both Natural Gas and Propane
- \* Safety screen and reflective enamelled rear panel
- \* Available with various glass burner media to compliment any contemporary room

BDV 1400 (E), HDV 1400 (E)



**HDV 1400 Model** shown  
with optional Log Set

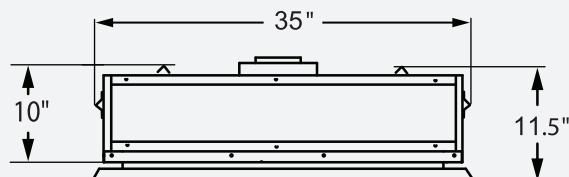
# Classic Collection

## Woodbridge Gas Fireplaces

# Direct Vent Gas Fireplace

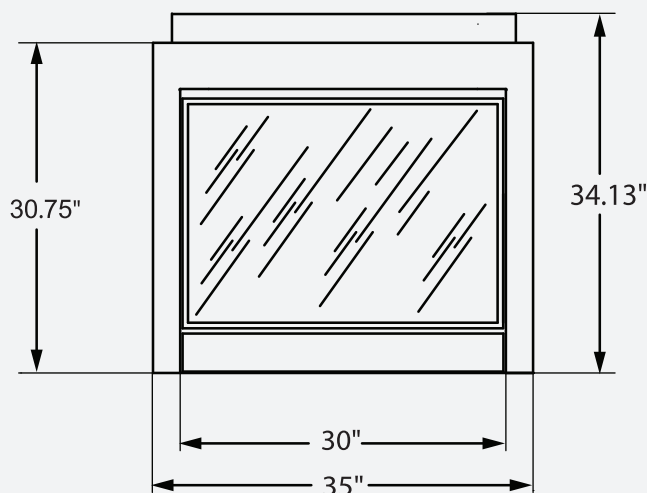
### Specifications:

TOP VIEW

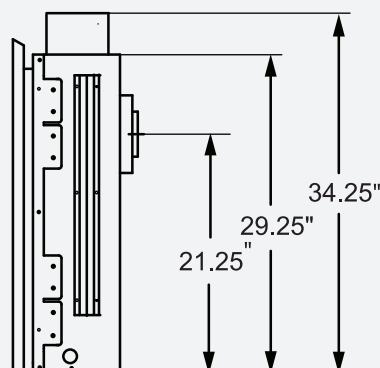


Optional glass media (replaces standard embers)

FRONT VIEW



RIGHT SIDE VIEW



### BDV 1400-(E) Model:

Gas Input Rate ..... 14,000 Btu/h (NG)  
 14,000 Btu/h (LP)  
 EnerGuide FE Rating .... 60.5% (NG)  
 59.7% (LP)  
 Efficiency (Flue Loss) ..... up to 75%

### HDV 1400-(E) Model:

Gas Input Rate ..... 18,000 Btu/h (NG)  
 17,000 Btu/h (LP)  
 EnerGuide FE Rating .... 60.9% (NG)  
 64.4% (LP)  
 Efficiency (FlueLoss) ..... up to 80%

Report # 0401GF015S

### Standard features:

- \* Glowing ember burner media.
- \* Black reflective enamelled rear panel.
- \* Standing Pilot with battery powered igniter.
- \* Ceramic glass front for HDV 1400 models and Tempered glass front for BDV 1400 models.
- \* Operates without electricity to provide heat during a power failure.
- \* On/Off Wall Switch.
- \* Built-in safety screen.
- \* Stainless steel flex connector and gas shut-off valve.
- \* Burner and heavy gauge welded firebox are covered by Lifetime Warranty.

### Available options:

- \* Realistic glowing 5 pc. log set.
- \* Various colour burner glass media (replaces embers).
- \* On/Off remote control with timer.
- \* LCD wall thermostat.
- \* Electronic ignition system  
*(Requires electricity or batteries to operate).*
- \* 130 C.F.M. thermostat activated blower.
- \* Chimney liner kit with vent adapter for installation into a wood burning fireplace.
- \* DirectVent Pro rigid venting components  
*(depends on installation requirements).*

