



CONTEMPORARY FIREPLACES

WELCOME

At Woodbridge Fireplace our mission is to design, manufacture, and market quality crafted heating and leisure products for indoor and outdoor enjoyment.

Motivated by homeowners, inspired by contractors, fireplace installers, designers and dealers, and supported by our employees, we are committed to delivering world class products that surpass the expectations of clients and stakeholders alike.

For more information on our company please visit :
www.woodbridgedealer.com

Warm Regards,



Tony James
President

CONTENTS

Montana	4
Newport	6
Monterey	8
Laguna (See -Thru)	10
Catalina (See-Thru)	12
Catalina PIER (3-Sided)	14
Santa Monica	16
DV 2501 (Vertical)	18
DV 1800	20
DV 1400	22

ACCESSORIES AND OPTIONS .. 24

DIRECT VENT GAS FIREPLACES

CONTEMPORARY COLLECTION

Fireplaces have a natural tendency to attract our gaze. In home designs today, gas fireplaces can be found in any room; from bathrooms to outdoor spaces. The elegance, efficiency, and functionality of Woodbridge Fireplace's contemporary line makes them a perfect addition to the ultimate urban living space.





MONTANA

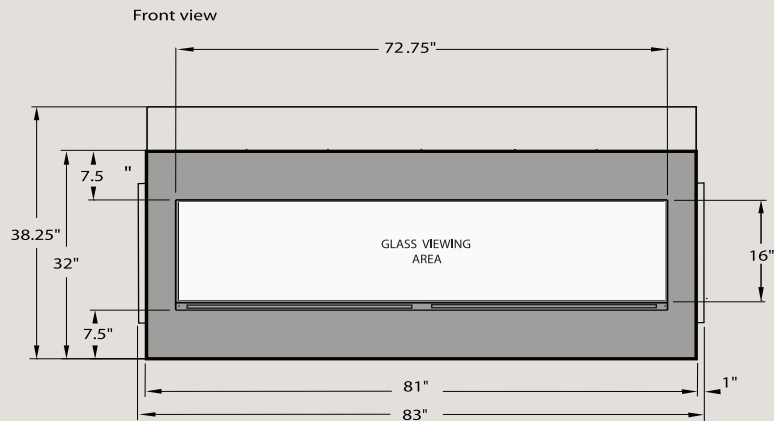
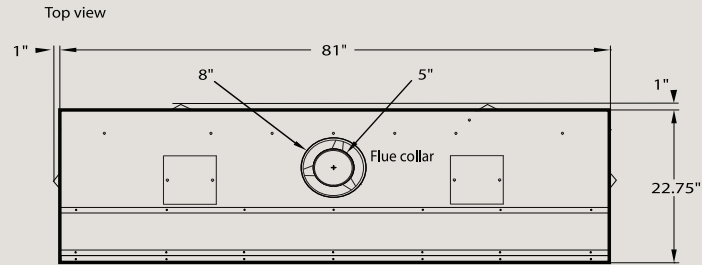
A vast display of contemporary flame



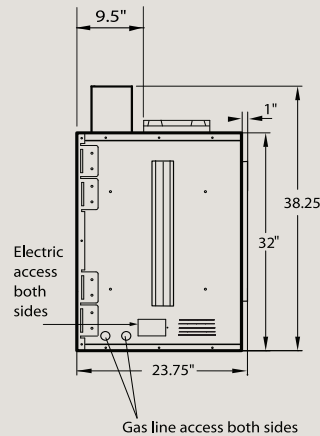
FEATURES

- * 72" wide viewable opening with clean face design
- * Realistic hand-detailed driftwood log set and black glass media
- * Black enamelled rear panel for dynamic flame reflection
- * LCD remote control with thermostat and flame height control





Right side view



STANDARD FEATURES

- Durable ceramic glass viewing area with safety screen.
- Black glass media.
- Clean face can be covered with non-combustible materials.
- Black enamelled reflective rear panel.
- Electronic ignition with battery back-up.
- LCD remote control with thermostat and flame height control.
- 2 x 140 C.F.M. variable speed, thermostatic circulating fans.

AVAILABLE OPTIONS

- Standing pilot system with battery powered ignition.
- ON/OFF remote control with built-in timer.
- Metallic brown face, air, and side panels.
- 304 Brushed Stainless steel face.
- Various glass and stones for media tray.
- Realistic hand-detailed driftwood log set

INPUT RATES, EFFICIENCY

MONTANA -N-E: 45,000-58,000 Btu/h

MONTANA -P-E: 46,000-55,000 Btu/h

Efficiency (Flue loss) up to 78%

EnerGuide FE Rating 55.70% (N-E), 57.31% (P-E)



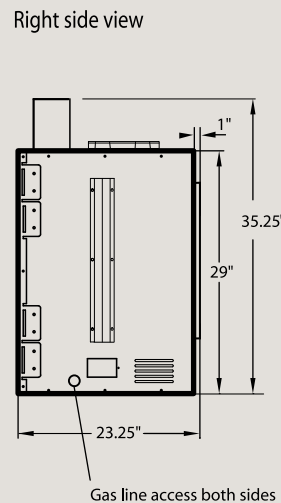
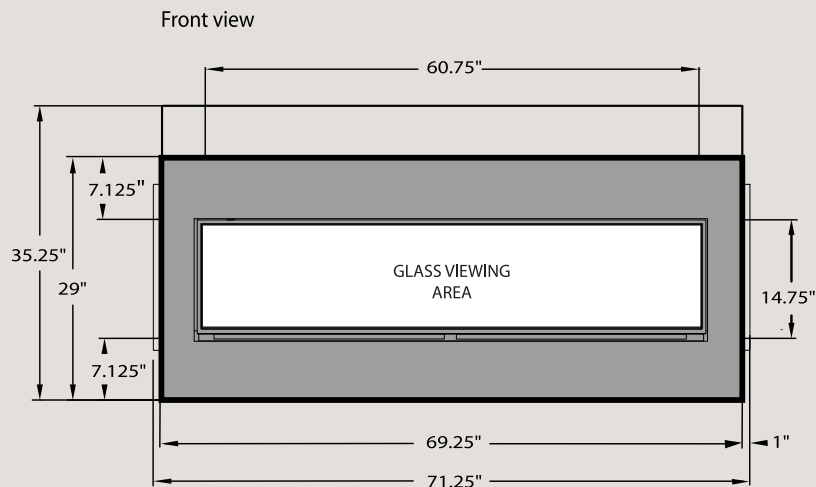
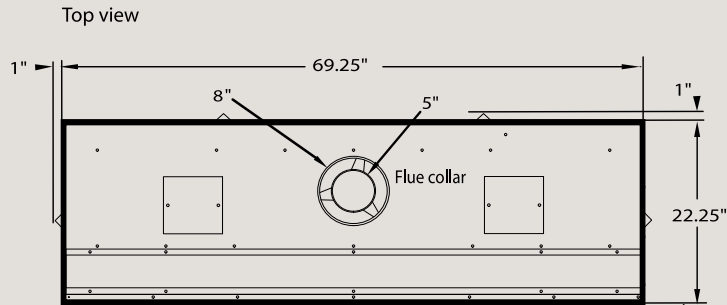
NEWPORT
A focal point of luxury
for any home



FEATURES

- * 60" wide viewable opening with clean face design
- * Realistic hand-detailed driftwood log set and black glass media
- * Black enamelled rear panel for dynamic flame reflection
- * LCD remote control with thermostat and flame height control





STANDARD FEATURES

- Durable ceramic glass viewing area with safety screen.
- Black glass media.
- Clean face can be covered with non-combustible materials.
- Black enamelled reflective rear panel.
- Electronic ignition with battery back-up.
- LCD remote control with thermostat and flame height control.
- 2 x 140 C.F.M. variable speed, thermostatic circulating fans.

AVAILABLE OPTIONS

- Standing pilot system with battery powered ignition.
- ON/OFF remote control with built-in timer.
- Metallic brown face, air, and side panels.
- 304 Brushed Stainless steel face.
- Various glass and stones for media tray.
- Realistic hand-detailed driftwood log set

INPUT RATES, EFFICIENCY

NEWPORT-N-(E): 35,000-52,000 Btu/h

NEWPORT-P-(E): 42,000-52,000 Btu/h

Efficiency (Flue loss) up to 78%

EnerGuide FE Rating 54.88% (N), 56.47% (P)

55.70% (N-E), 57.31% (P-E)



MONTEREY

A modern fireplace
with a conventional air

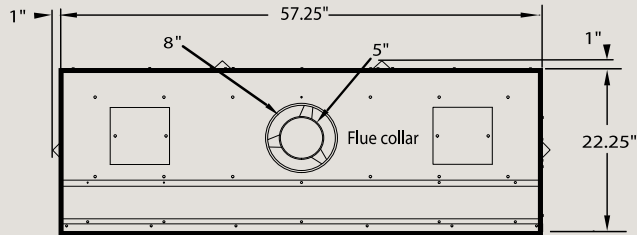


FEATURES

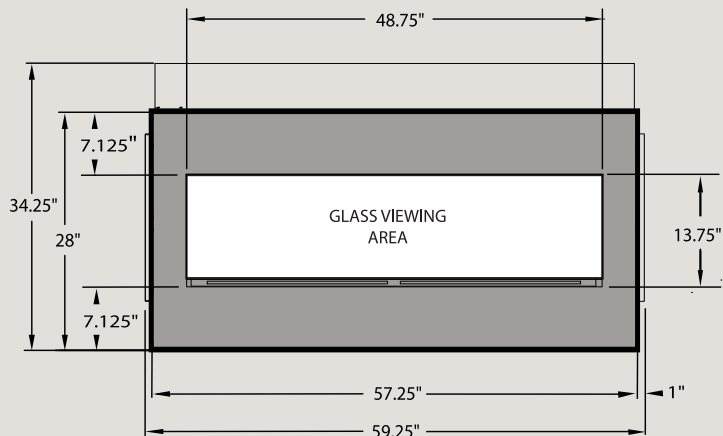
- * 48" wide viewable opening with clean face design
- * Realistic hand-detailed driftwood log set and aquamarine glass media
- * Black enamelled rear panel for dynamic flame reflection
- * LCD remote control with thermostat and flame height control



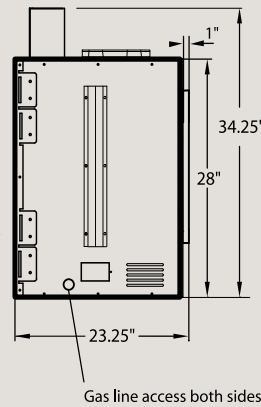
Top view



Front view



Right side view



STANDARD FEATURES

- Durable ceramic glass viewing area with safety screen.
- Aquamarine glass media.
- Clean face can be covered with non-combustible materials.
- Black enamelled reflective rear panel.
- Electronic ignition with battery back-up.
- LCD remote control with thermostat and flame height control.
- 2 x 140 C.F.M., variable speed, thermostatic circulating fans.

AVAILABLE OPTIONS

- Standing pilot system with battery powered ignition.
- ON/OFF remote control with built-in timer.
- Metallic brown face, air, and side panels.
- 304 Brushed Stainless steel face .
- Various glass and stones for media tray .
- Realistic hand-detailed driftwood log set

INPUT RATES, EFFICIENCY

MONTEREY-N-(E): 27,000-39,000 Btu/h

MONTEREY-P-(E): 27,000-38,000 Btu/h

Efficiency (Flue loss) up to 75%

EnerGuide FE Rating 51.48% (N), 56.54% (P)

52.57% (N-E), 59.19% (P-E)



LAGUNA

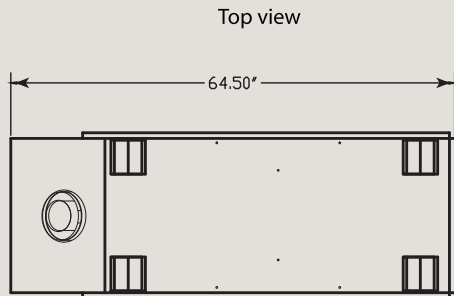
An elegant transition
between living areas



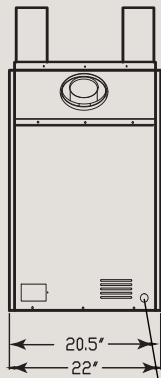
FEATURES

- * 48" wide see-thru viewable opening
- * Realistic hand-detailed driftwood log set and reflective grey glass media
- * LCD remote control with thermostat and flame height control



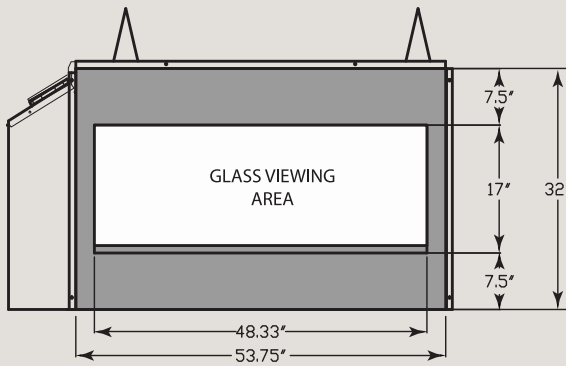


Rear view

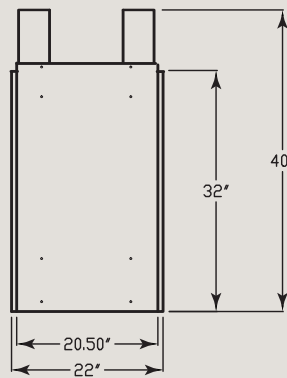


Gas line access

Left side view



Front view



STANDARD FEATURES

- Durable ceramic glass viewing area with safety screen.
- Clean faces can be covered with non-combustible material.
- Electronic ignition with battery back-up.
- LCD remote control with thermostat and flame height control.
- 140 C.F.M. , variable speed, thermostatic circulating fan.

AVAILABLE OPTIONS

- Standing pilot system with battery powered ignition.
- ON/OFF remote control with built-in timer.
- 304 Brushed Stainless steel face.
- Various glass and stones for media tray.
- Realistic hand-detailed driftwood set and grey glass media.

INPUT RATES, EFFICIENCY

LAGUNA-N-(E): 26,000-37,500 Btu/h

LAGUNA-P-(E): 27,000-37,000 Btu/h

Efficiency (Flue loss) up to 75%

EnerGuide FE Rating 64.93% (N), 68.10% (P)

66.41% (N-E), 69.61% (P-E)



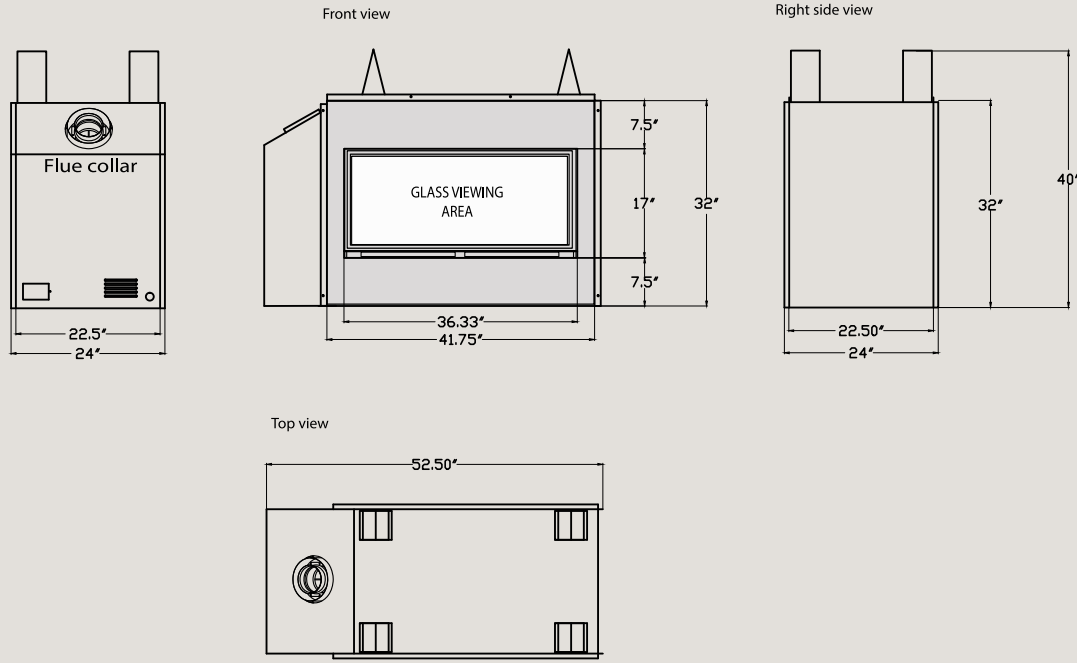
CATALINA
Contemporary See-Thru
Gas Fireplace



FEATURES

- * 36" wide see-thru viewable opening
- * LCD remote control with thermostat and flame height control
- * Electronic Ignition System with Battery Back-Up





STANDARD FEATURES

- Durable ceramic glass viewing area with safety screen.
- Clean face can be covered with non-combustible materials.
- Electronic ignition with battery back-up.
- LCD remote control with thermostat and flame height control.
- 140 C.F.M. , variable speed, thermostatic circulating fan.

AVAILABLE OPTIONS

- Standing pilot system with battery powered ignition.
- ON/OFF remote control with built-in timer.
- 304 Brushed Stainless steel face
- Various glass and stones for media tray
- Realistic hand-detailed driftwood set

INPUT RATES, EFFICIENCY

CATALINA-N: 27,000-39,000 Btu/h
 CATALINA-P: 27,000-38,000 Btu/h
 Efficiency (Flue loss) up to 78%
 EnerGuide FE Rating 69.2% (NG), 70.1% (LP)



CATALINA PIER

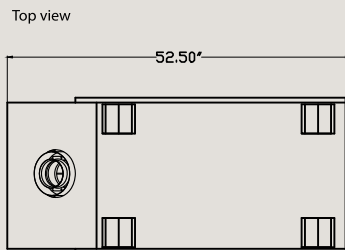
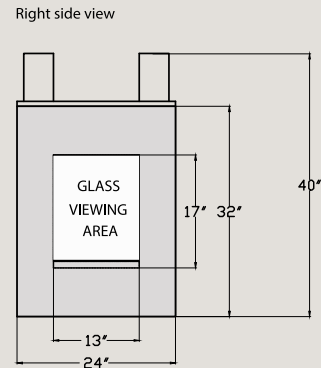
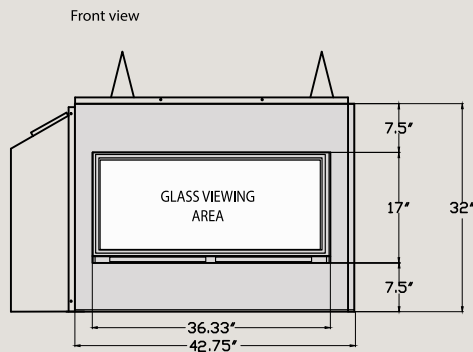
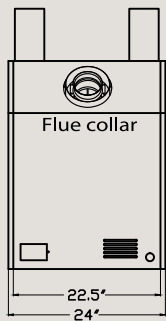
Contemporary
3-sided
Gas Fireplace



FEATURES

- * 36" wide see-thru viewable opening, 13" wide end window
- * LCD remote control with thermostat and flame height control
- * Electronic Ignition System with Battery Back-Up





STANDARD FEATURES

- Durable ceramic glass viewing area with safety screen.
- Clean face can be covered with non-combustible materials.
- Electronic ignition with battery back-up.
- LCD remote control with thermostat and flame height control.
- 140 C.F.M. , variable speed, thermostatic circulating fan.

AVAILABLE OPTIONS

- Standing pilot system with battery powered ignition.
- ON/OFF remote control with built-in timer.
- 304 Brushed Stainless steel face
- Various glass and stones for media tray .
- Realistic hand-detailed driftwood set

INPUT RATES, EFFICIENCY

CATALINA-PIER-N: 27,000-39,000 Btu/h

CATALINA-PIER-P: 27,000-38,000 Btu/h

Efficiency (Flue loss) up to 78%

EnerGuide FE Rating 69.2% (NG), 70.1% (LP)



SANTA MONICA

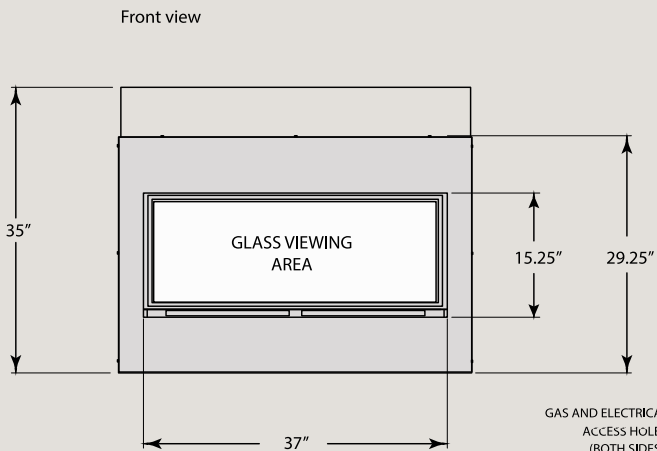
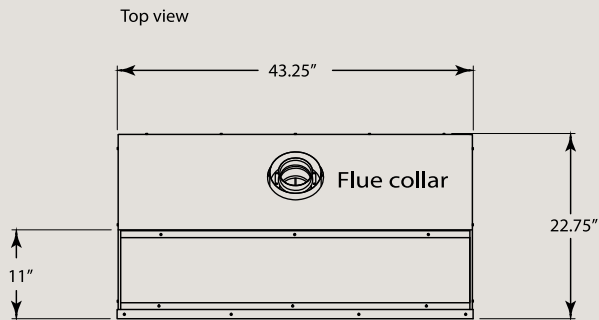
A contemporary fireplace with traditional accents



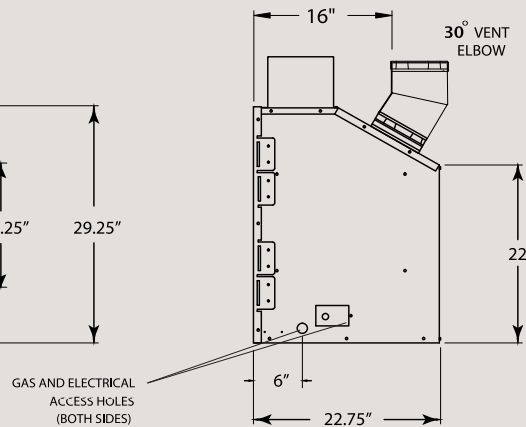
FEATURES

- * 36" wide viewable opening with clean face design
- * Black enamelled rear panel for dynamic flame reflection
- * Realistic hand-detailed driftwood log set and black glass media
- * LCD remote control with thermostat and flame height control





Right side view with 30 degree starting elbow



STANDARD FEATURES

- Durable ceramic glass viewing area with safety screen.
- Black glass media.
- Clean face can be covered with non-combustible materials.
- Black enamelled reflective rear panel.
- Electronic ignition with battery back-up.
- LCD remote control with thermostat and flame height control.
- 140 C.F.M. , variable speed, thermostatic circulating fan.

AVAILABLE OPTIONS

- Standing pilot system with battery powered ignition.
- ON/OFF remote control with built-in timer.
- Metallic brown face, air, and side panels.
- 304 Brushed Stainless steel face
- Various glass and stones for media tray .
- Realistic hand-detailed driftwood set

INPUT RATES, EFFICIENCY

SANTA-MONICA-N-(E): 22,000-33,500 Btu/h

SANTA-MONICA-P-(E): 26,000-33,500 Btu/h

Efficiency (Flue loss) up to 75%

EnerGuide FE Rating 57.29% (N), 57.81% (P)

58.63% (N-E), 59.18% (P-E)



DV 2501

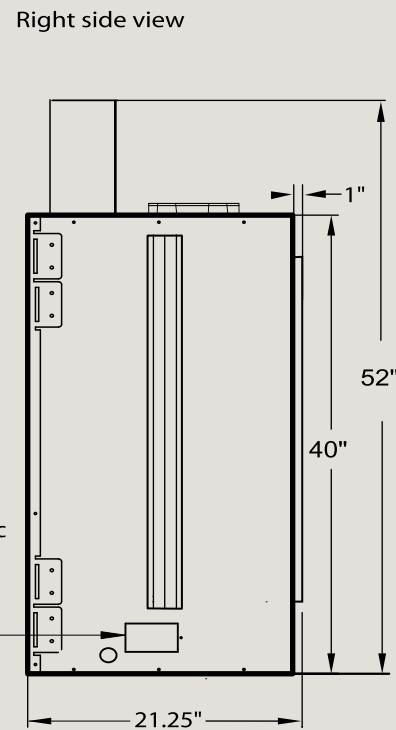
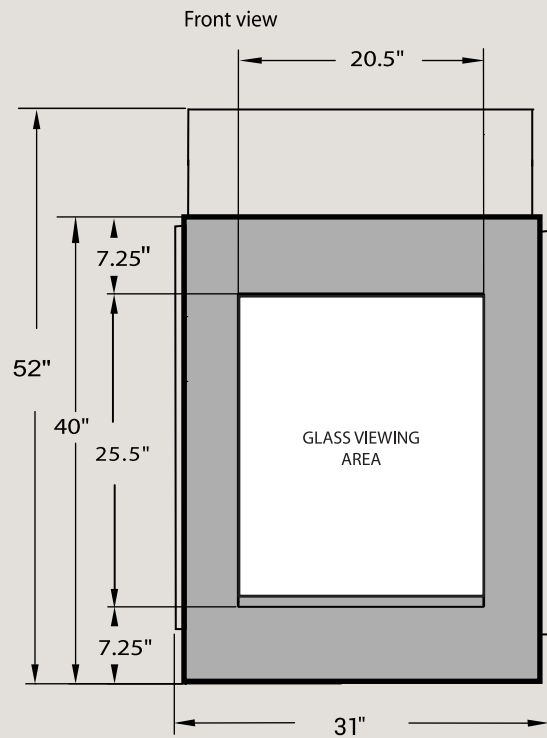
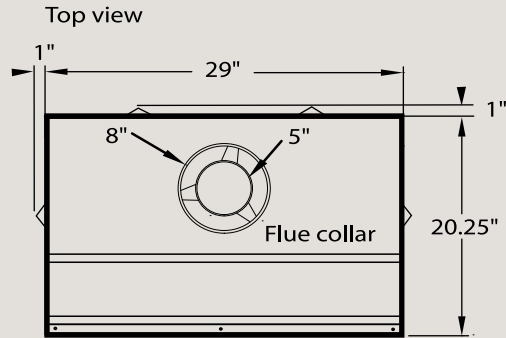
Transform the atmosphere
with a noticeably dramatic
fireplace



FEATURES

- * 20" x 25" vertical viewable opening with clean face design
- * Hand detailed white stone set with black glass media provides a transitional style
- * Black enamelled rear and side interior panels for dynamic flame reflection
- * LCD remote control with thermostat and flame height control





STANDARD FEATURES

- Durable ceramic glass viewing area with safety screen.
- Realistic hand-made stone set and black burner glass media.
- Clean face can be covered with non-combustible material.
- Black enamelled reflective rear and side panels.
- Electronic ignition with battery back-up.
- LCD remote control with thermostat and flame height control.
- 140 C.F.M. , variable speed, thermostatic circulating fan.
- Highest quality of materials, components, and workmanship.

AVAILABLE OPTIONS

- Standing pilot system with battery powered ignition.
- ON/OFF remote control with built-in timer.
- Various glass media.

INPUT RATES, EFFICIENCY

DV 2501-NE: 18,000-26,000 Btu/h

DV 2501-PE: 20,000-26,000 Btu/h

Efficiency (Flue loss) up to 75%

EnerGuide FE Rating 61.62% (N-E), 63.97% (P-E)



DV1800

A 12" deep fireplace making a bold statement

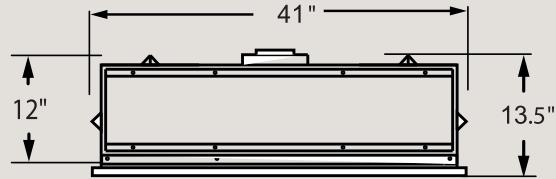


FEATURES

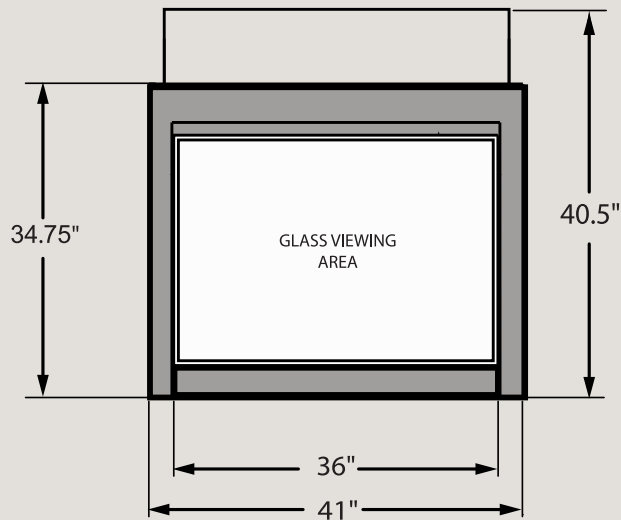
- * Large 41"x 35" face
- * Shallow framing depth requirement makes it ideal for condos and smaller rooms
- * Rear vented for simplicity of installation through the wall
- * Black enamelled rear panel for dynamic flame reflection
- * LCD remote control with thermostat and flame height control



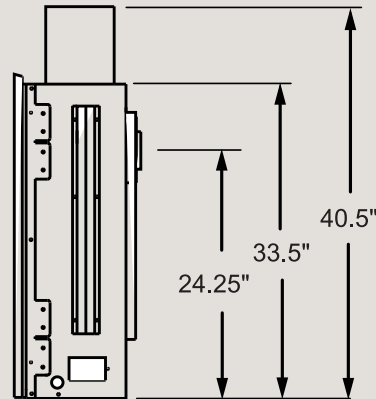
Top view



Front view



Right side view



STANDARD FEATURES

- Durable ceramic glass viewing area with safety screen.
- Various glass media.
- Glowing ember burner media.
- Black enamelled reflective rear panel.
- Electronic ignition with battery back-up.
- LCD remote control with thermostat and flame height control.

AVAILABLE OPTIONS

- Standing pilot system with battery powered ignition.
- ON/OFF remote control with built-in timer.
- Realistic 7 pc. hand-detailed log set.
- 130 C.F.M. thermostat activated blower.
- Brushed stainless steel outer face.

INPUT RATES, EFFICIENCY

DV 1800 N(- E): 16,000-25,000 Btu/h

DV 1800 P(- E): 18,000-25,000 Btu/h

Efficiency (Flue loss) up to 70%

EnerGuide FE Rating... 59.10% (N), 57.43% (P)

61.32% (N-E), 59.33% (P-E)



DV1400

The ideal fireplace for any installation, only 10" deep

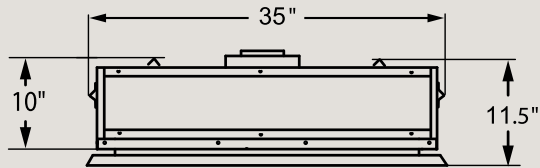


FEATURES

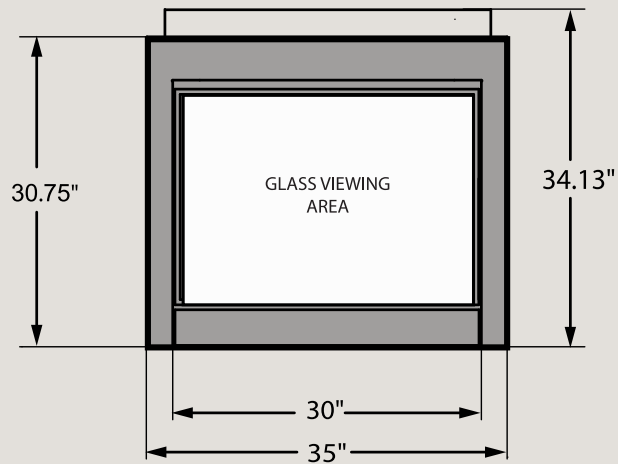
- * 10" deep design perfect for small rooms or condos
- * Available with your choice of fire glass media or hand detailed five-piece log set
- * Black reflective enamelled rear panel for dynamic flame reflection
- * On/off remote control with built-in timer or wall switch for ease of operation



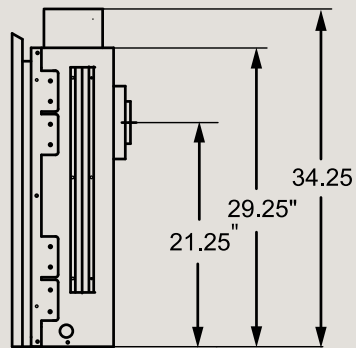
Top view



Front view



Right side view



STANDARD FEATURES

- Durable ceramic glass viewing area (HDV 1400).
- Tempered glass viewing area (BDV 1400).
- Glowing ember burner media.
- Black enamelled reflective rear panel. Safety screen.
- Electronic ignition system.
- On/Off remote control with timer.

AVAILABLE OPTIONS

- Realistic 5 pc. hand-detailed log set.
- Various glass burner media. Brushed stainless steel outer face.
- 130 C.F.M. thermostat activated blower.
- Chimney liner kit with vent adapter for installation into a wood burning fireplace
- Standing pilot system with battery powered ignition.

INPUT RATES, EFFICIENCY

BDV 1400 N,P- E: 14,000 Btu/h

HDV 1400 N,P- E: 18,000 Btu/h

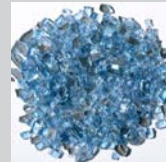
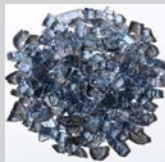
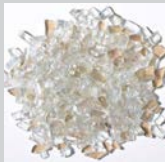
Efficiency (Flue loss) up to 80.0%

EnerGuide FE Rating for BDV 1400 65.59% (N-E), 64.07% (P-E)

EnerGuide FE Rating for HDV 1400 67.20% (N-E), 70.16% (P-E)

ACCESSORIES & LOOSE MEDIA OPTIONS

- - Standard
- ✓ - Optional



Clear Glass

Black Glass

Green Glass

Amber Glass

Reflective Clear Glass

Reflective Grey Glass

Reflective Blue Glass

Lava Rock

Large White Stones

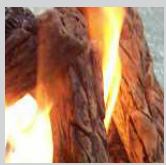
Newport	✓	●	✓	✓	✓	✓	✓	✓	✓
Catalina	✓	✓	✓	✓	✓	✓	✓	✓	✓
Monterey	✓	✓	✓	✓	✓	✓	●	✓	✓
Laguna	✓	✓	✓	✓	✓	●	✓	✓	✓
Santa Monica	✓	●	✓	✓	✓	✓	✓	✓	✓
DV 2501	✓	✓	✓	✓	✓	●	✓		
DV 1800	✓	✓	✓	✓	✓	✓	✓		
DV 1400	✓	✓	✓	✓	✓	✓	✓		



Small Grey Stones



Large Grey Stones



Log Set



Electronic Ignition Remote



On/Off Remote



Wireless Wall Thermostat



Horizontal or Vertical Thermostat



Wall On/Off Switch



Thermostatic Blower



Stainless Face Trim

✓	✓	●	●	✓	✓	✓	✓	✓	●	✓
✓	✓	✓	●	✓	✓	✓	✓	✓	●	✓
✓	✓	●	●	✓	✓	✓	✓	✓	●	✓
✓	✓	●	●	✓	✓	✓	✓	✓	●	✓
✓	✓	●	●	✓	✓	✓	✓	✓	●	✓
	Stone Set	●	●	✓	✓	✓	✓	✓	●	
		✓	●	✓	✓	✓	✓	✓	✓	✓
		✓		●	✓	✓	✓	✓	✓	✓

Canada

ENERGUIDE

Look for the **EnerGuide**
Gas Fireplace Energy
Efficiency Rating in this brochure

Based on CSA P.4.1-15

DuraVent
Member of M&G Group



SINCE 1956

DirectVent Pro

Unitized, co-axial venting
system for direct vent gas fireplaces



DirectVent Pro

DirectVent Pro is a unitized, coaxial (concentric) venting system designed for use with direct vent gas or propane fireplaces.

Stunning design and Engineered Excellence® utilizing state-of-the-art manufacturing. DirectVent Pro features tight inner connections for superb performance, with no gaskets or sealants required.

DuraVent's direct vent is specified exclusively by nearly every major stove and fireplace manufacturer in the U.S. and Canada, with the largest choice of termination caps for direct vent available.

Specifications

Diameters

4" x 6 5/8" and 5" x 8" (see reference chart on next page for planning your installation).

Materials and Construction

.020" aluminum inner wall. .018" galvanized steel outer wall. Outer pipe brings combustion air to the appliance. Inner pipe exhausts flue gases to the outside. Gaskets or sealants are not required.

Clearances

Specified by the appliance

(For more information download Owner's Manual from www.woodbridgetdealer.com).

Listings

DirectVent Pro, in combination with the gas appliance, has been tested and listed as a decorative gas appliance system or as a direct vent heater system by a major testing agency, such as UL, CSA, or Warnock Hersey.

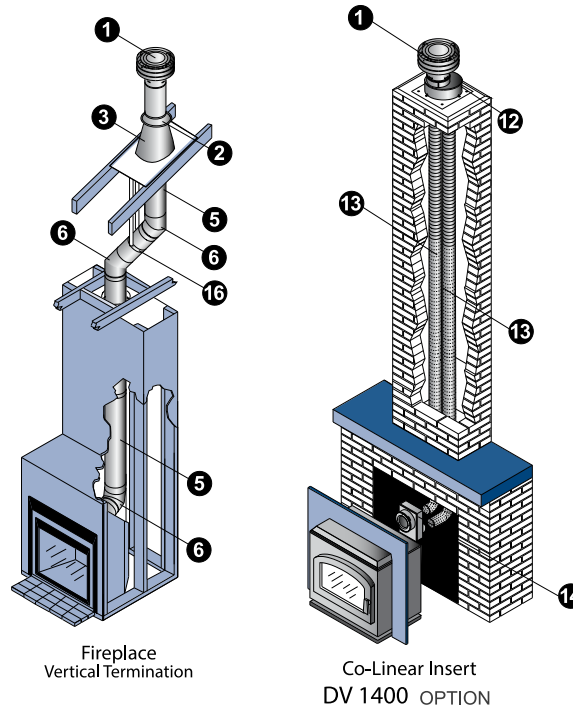


Woodbridge Fireplace direct vent gas fireplaces are designed to be installed using DirectVent Pro components and are also compatible with ICC, Metal Fab, and Selkirk Direct Vent systems. The following design recommendations are general guideline to assist in the design and selection of venting components for your installation. Always follow DuraVent Installation instructions enclosed with the cap or support box before installing your chimney system. Installation instructions can be viewed online at www.duravent.com, under Catalogs and Instructions.

Important: Check the manufacturer's rating plate and instruction manual to confirm that the DuraVent direct vent system is approved for use on the brand name appliance you have selected.

- The inner and outer pipe diameters should match the outlet size of the appliance.
- Check the appliance manufacturer's installation instructions to confirm which types of vent configurations are permitted (i.e. horizontal, vertical, chimney reline, etc.). Also, check for any venting restrictions such as maximum horizontal run, minimum and maximum vertical rise, maximum offset, etc.
- Be fire safe! Maintain at least the minimum clearances (air-space) between the vent pipe and nearby combustibles, as specified in the appliance manufacturer's installation instructions. Use proper support and bracing. Follow local building codes and have your venting system inspected.

Typical Installations



Installation Key			
1	Vertical Termination Cap	9	90° Elbow
2	Storm Collar	10	Horizontal Termination Cap
3	Flashing	11	Snorkel Termination Cap
4	Cathedral Ceiling Support Box	12	Colinear Kit
5	Pipe	13	3" or 4" Flex
6	45° Elbow	14	Co-Axial to Co-Linear Connector
7	Class A Chimney Conversion Kit	15	Masonry Chimney Conversion Kit
8	4" Flex	16	Elbow Strap

• Refer to our Typical Venting Installation drawings to select the appropriate component parts for your installation.

Planning Your Installation

1	For vertical gas fireplace installations, measure the height from the stove outlet to the ceiling to determine the length of black pipe required. Select a ceiling support/wall thimble cover or a cathedral ceiling support box.
2	To determine the length of galvanized pipe required, measure the ceiling thickness and the vertical rise in an attic or second story. Firestops are required at each floor level beyond the first floor ceiling support/wall thimble cover or cathedral ceiling support box. If an offset is required to avoid obstructions, use a pair of 45° elbows. For proper support, use elbow straps with offsets. Use wall straps for long vertical runs. Attic Insulation Shield is required in attic.
3	Measure the roof pitch. Select the proper flashing and storm collar. Determine the minimum height above the roof.
4	For horizontal installations, check the appliance manufacturer's instructions for minimum rise and maximum horizontal run. A snorkel termination may be used if height restrictions prevent adequate rise above the appliance. Select the appropriate Horizontal Termination Cap (see appliance manufacturer installation instructions). To protect vinyl siding, select vinyl siding standoff. Check appliance manufacturer's instructions for wall thimble and firestop requirements.

	USES RIGID VENTING 58DVA 5" X 8"	USES RIGID VENTING 46DVA 4" X 6-5/8"	USES FLEXIBLE LINER KIT 3" UL 1777 2 PCS.
Newport, Montana	✓		
Monterey	✓		
DV 2501	✓		
DV 1800	✓		
Laguna, Catalina		✓	
Santa Monica		✓	
DV 1400		✓	✓ OPTIONAL



QUALITY HEATING & LEISURE PRODUCTS

www.woodbridgedealer.com



Proudly made in North America!

Woodbridge Fireplace Inc.
1305 Meyerside Dr., Mississauga,
ONTARIO, CANADA L5T 1C9
Tel: 1-844-636-FIRE (3473)