



GAS INSERTS

WELCOME

At Woodbridge Fireplace our mission is to design, manufacture, and market quality crafted heating and leisure products for indoor and outdoor enjoyment.

Motivated by homeowners, inspired by contractors, fireplace installers, designers and dealers, and supported by our employees, we are committed to delivering world class products that surpass the expectations of clients and stakeholders alike.

For more information on our company please visit :
www.woodbridgedealer.com

Warm Regards,



Tony James
President

CONTENTS

GAS INSERTS

DVI1000	4
DVI750T	6
DVI751T	8
DVI750	10
DVI751	12
Indoor Fire Feature	14

GAS LOG SETS

GLS-24 (24")	16
GLS-18 (18")	16

ACCESSORIES AND MEDIA OPTIONS .. 18

VENTING SPECIFICATIONS 19

DIRECT VENT GAS INSERTS

Woodbridge gas fireplace inserts provide the appeal of more traditional wood burning fireplaces while eliminating the constant maintenance of a wood fire. With the ultimate convenience of our user friendly remote control options, our innovative designs offer powerful heating and unparalleled style.

Heavy gauge metal construction, fully welded fireboxes, temperature resistant ceramic glass, enamelled reflective panels, crafted in the USA log sets, a variety of available glass and stone media; all these make Woodbridge Fireplace gas inserts a truly remarkable investment into your home.





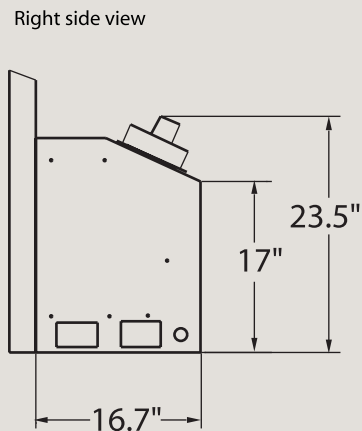
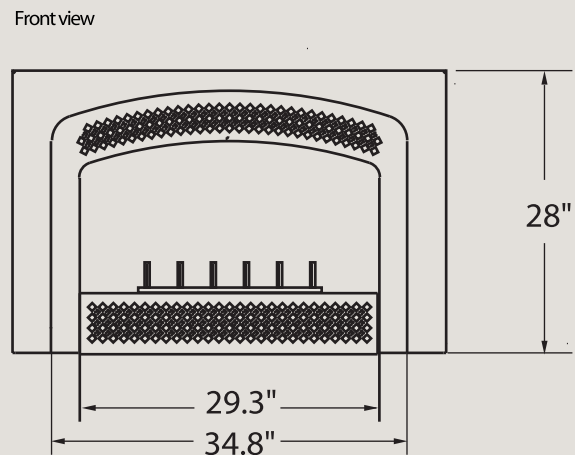
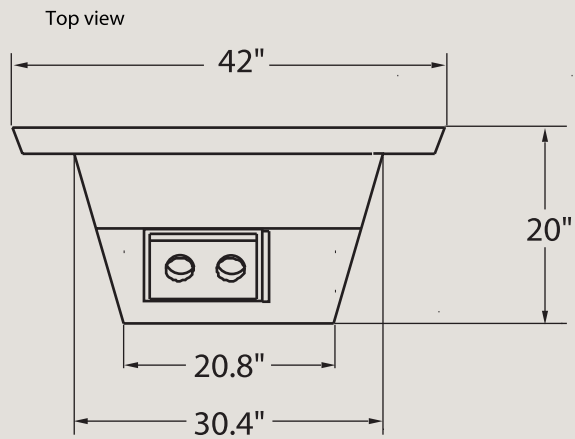
DV1000
Our most traditional but
never overlooked



FEATURES

- * Our largest gas insert designed to fit wood burning fireplaces with an opening of up to 40" wide and up to 26" tall
- * Glowing embers, hand detailed 7 pc. log set and brick lined interior give this insert a truly classic appeal
- * A safety screen, durable ceramic glass, and a 130 C.F.M. thermostat blower are standard.





STANDARD FEATURES

- Durable ceramic glass viewing area with safety screen.
- Realistic hand-detailed 7 pc. log set and glowing ember media.
- Red brick panels.
- 130 C.F.M. thermostat activated blower.
- Standing pilot with battery powered igniter.
- On/Off remote control with timer.

AVAILABLE OPTIONS

- On/Off backlit LCD remote control or wall mount thermostat.
- Electronic ignition system and LCD remote control with built-in thermostat and flame height regulation.

MINIMUM FIREPLACE OPENING

32" (W) X 23" (H) X 17" (D)

INPUT RATES, EFFICIENCY

DVI 1000-N-(E): 19,000-29,000 Btu/h

DVI 1000-P-(E): 19,000-28,000 Btu/h

Efficiency (Flue loss) ... up to 75.0%

EnerGuide FE Rating... 56.33% (N), 57.92% (P)

57.34% (N-E), 58.82% (P-E)



DVI 750T

The classic style insert suitable for any fireplace

Optional brushed stainless steel trim kit

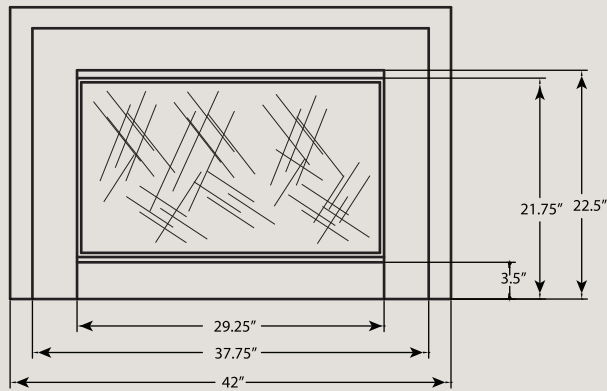


FEATURES

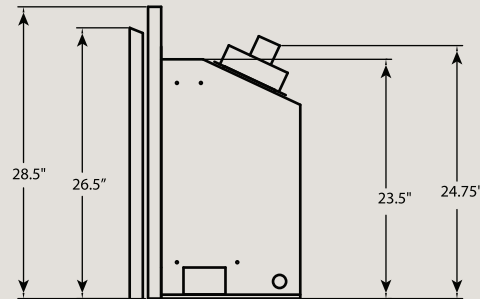
- * Made to fit in any wood burning fireplace with an opening of at least 27" W x 26" H x 14" D
- * Realistic 7 pc. hand-detailed log set, glowing ember bed, and enamelled reflective panels will enhance the look and functionality of an existing wood burning fireplace
- * On/Off remote controlled electronic ignition system for ease of operation



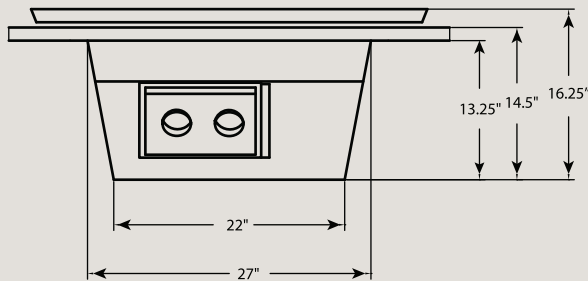
Front view



Right side view



Top view



STANDARD FEATURES

- Durable ceramic glass viewing area with safety screen.
- Realistic hand-detailed 7 pc. log set and glowing ember media.
- Black enamelled reflective rear and side panels.
- 130 C.F.M. thermostat activated blower.
- Standing pilot with battery powered igniter.
- On/Off remote control with timer.

AVAILABLE OPTIONS

- On/Off backlit LCD remote control or wall mount thermostat.
- Electronic ignition system and LCD remote control with built-in thermostat and flame height regulation.
- 4 sided trim kit for elevated installations.
- Brushed stainless steel trim kit.

MINIMUM FIREPLACE OPENING

27" (W) X 26" (H) X 14" (D)

INPUT RATES, EFFICIENCY

DVI 750 TN-(E): 18,000-28,500 Btu/h

DVI 750 TP-(E): 21,000-28,000 Btu/h

Efficiency (Flue loss) ... up to 75%

EnerGuide FE Rating ... 62.71% (N), 65.54% (P)

64.17% (N-E), 67.14% (P-E)



DVI 751T

The conventional gas
insert, modernized

Optional brushed stainless steel trim kit

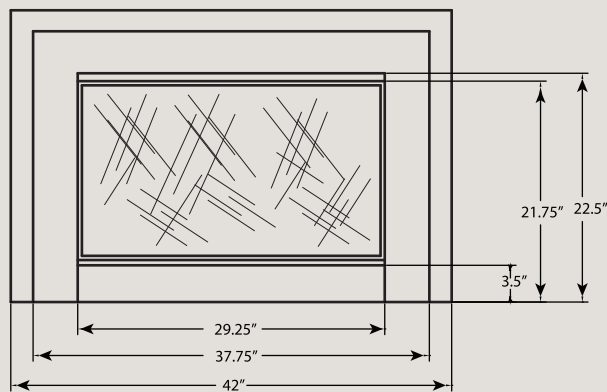


FEATURES

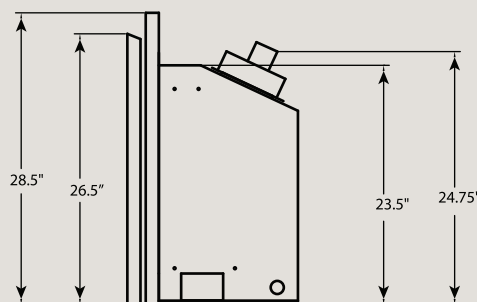
- * Made to fit in any wood burning fireplace with an opening of at least 27" W x 26" H x 14" D
- * Rear and side black enamelled panels for dynamic flame reflection
- * Fire glass burner media with optional 13 pc. decorative stone set
- * Standing pilot or electronic ignition system options
- * Optional 4-sided trim kit for elevated installations



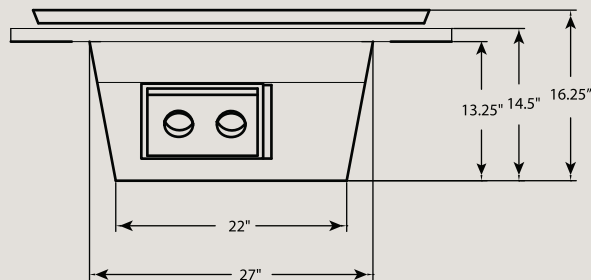
Front view



Right side view



Top view



STANDARD FEATURES

- Durable ceramic glass viewing area with safety screen.
- Black enamelled reflective rear and side panels.
- Black glass burner media.
- 130 C.F.M. thermostat activated blower.
- Standing pilot with battery powered igniter.
- On/Off remote control with timer and room temperature.

AVAILABLE OPTIONS

- On/Off backlit LCD remote control or wall mount thermostat.
- Electronic ignition system and LCD remote control with built-in thermostat and flame height regulation.
- 13 pc. decorative white stone set.
- 4 sided trim kit for elevated installations.
- Brushed stainless steel trim kit.

MINIMUM FIREPLACE OPENING

27" (W) X 26" (H) X 14" (D)

INPUT RATES, EFFICIENCY

DVI 751 TN-(E): 18,000-28,500 Btu/h

DVI 751 TP-(E): 20,000-25,500 Btu/h

Efficiency (Flue loss) up to 75%

EnerGuide FE Rating ... 62.71% (N), 65.54% (P)

64.17% (N-E), 67.14% (P-E)



DVI 750

The classic style insert suitable for any fireplace

Optional four-sided trim

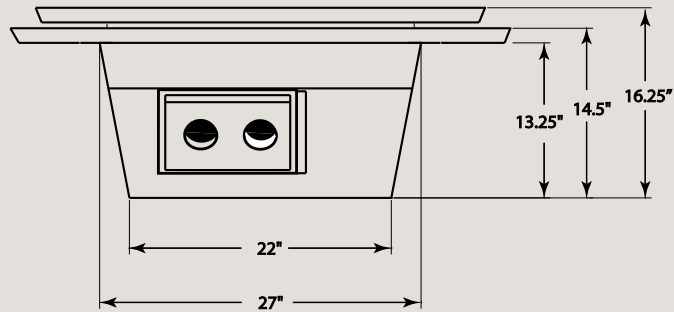


FEATURES

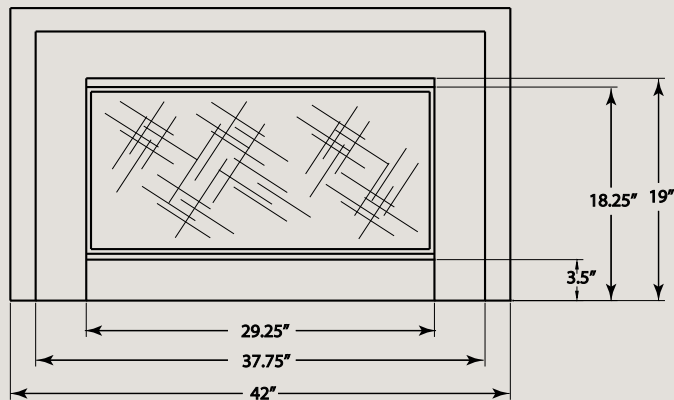
- * Made to fit in any wood burning fireplace with an opening of at least 27" W x 22 ½" H x 14" D
- * Realistic 7 pc. hand-detailed log set, glowing ember bed, and enamelled reflective panels will enhance the look and functionality of an existing wood burning fireplace
- * Optional interior brick panels gives this insert a more traditional appeal
- * On/Off remote controlled electronic ignition system for ease of operation



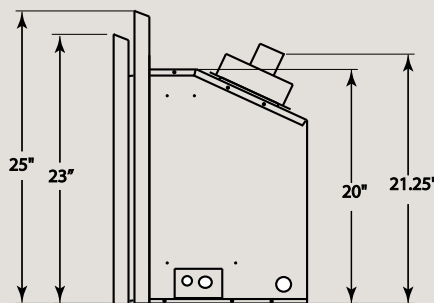
Top view



Front view



Right side view



STANDARD FEATURES

- Durable ceramic glass viewing area with safety screen.
- Realistic hand-detailed 7 pc. log set and glowing ember media.
- 130 C.F.M. thermostat activated blower.
- Standing pilot with battery powered igniter.
- On/Off remote control with timer.

AVAILABLE OPTIONS

- On/Off backlit LCD remote control or wall mount thermostat.
- Electronic ignition system and LCD remote control with built-in thermostat and flame height regulation.
- Red brick liner or enamelled reflective panels.
- 4 sided trim kit for elevated installations.
- Brushed stainless steel trim kit.

MINIMUM FIREPLACE OPENING

27" (W) X 22.5" (H) X 14" (D)

INPUT RATES, EFFICIENCY

DVI 750-N-(E): 18,000-28,500 Btu/h

DVI 750-P-(E): 21,000-28,000 Btu/h

Efficiency (Flue loss) ... up to 72%

EnerGuide FE Rating ...60.75% (N), 61.10% (P)

62.24% (N-E), 62.60% (P-E)



DVI 751

The conventional gas
insert, modernized

Optional four-sided trim

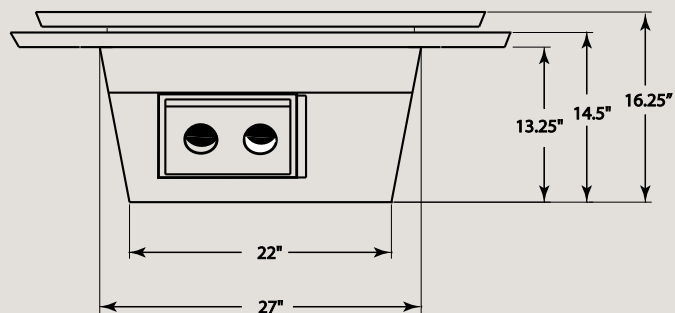


FEATURES

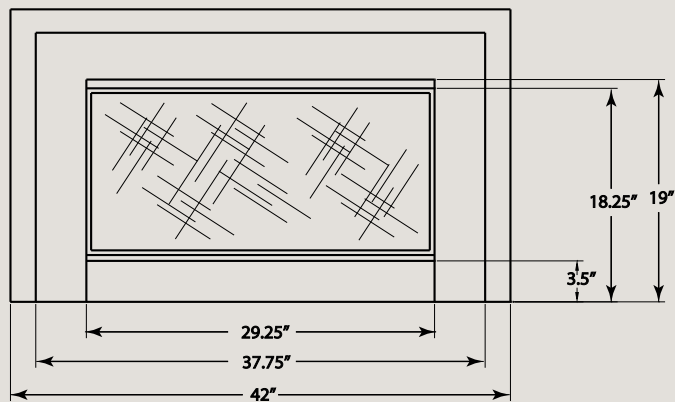
- * Made to fit in any wood burning fireplace with an opening of at least 27" W x 22 ½" H x 14" D
- * Rear and side black enamelled panels for dynamic flame reflection
- * Fire glass burner media with optional 13 pc. decorative stone set
- * Standing pilot or electronic ignition system options
- * Optional 4-sided trim kit for elevated installations



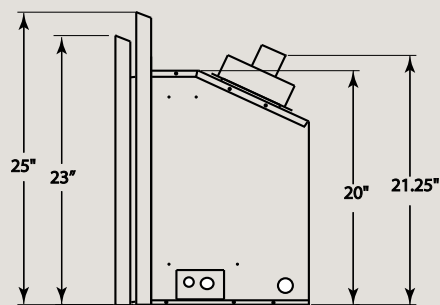
Top view



Front view



Right side view



STANDARD FEATURES

- Durable ceramic glass viewing area with safety screen.
- Black enamelled reflective rear and side panels.
- Black glass burner media.
- 130 C.F.M. thermostat activated blower.
- Standing pilot with battery powered igniter.
- On/Off remote control with timer and room temperature.

AVAILABLE OPTIONS

- On/Off backlit LCD remote control or wall mount thermostat.
- Electronic ignition system and LCD remote control with built-in thermostat and flame height regulation.
- 13 pc. decorative white stone set.
- 4 sided trim kit for elevated installations.
- Brushed stainless steel trim kit.

MINIMUM FIREPLACE OPENING

27" (W) X 22.5" (H) X 14" (D)

INPUT RATES, EFFICIENCY

DVI 751-N-(E): 18,000-28,500 Btu/h

DVI 751-P-(E): 20,000-25,500 Btu/h

Efficiency (Flue loss) up to 72%

EnerGuide FE Rating ... 60.75% (N), 61.10% (P)

62.24% (N-E), 62.60% (P-E)



Model IFF-96 shown

INDOOR FIRE FEATURE

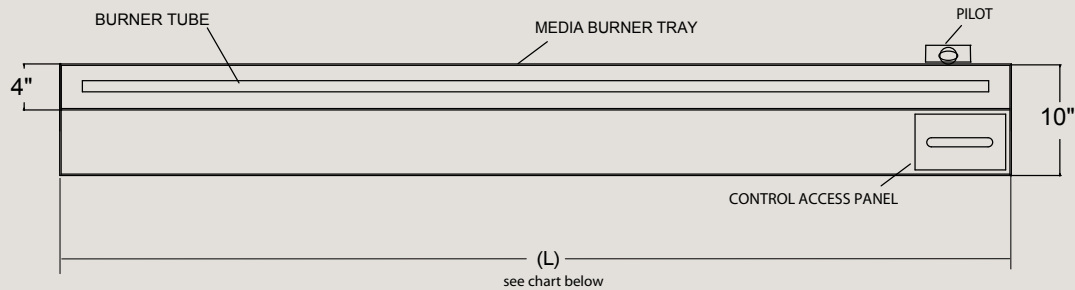
A contemporary gas burner for installation in wood burning fireplaces



FEATURES

- * Various lengths available for retrofit and new construction projects
- * Propane or Natural Gas ready
- * ON/OFF remote control with timer

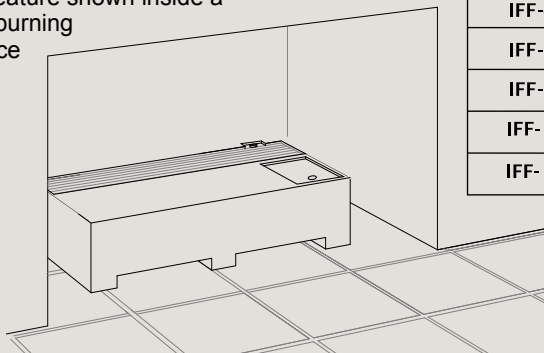




OVERALL HEIGHT = 6"

MODEL	OVERALL LENGTH (L)	FIREPLACE WIDTH (min)
IFF-24	24.125"	28 "
IFF-36	36.125"	40 "
IFF-48	48.125"	52 "
IFF-60	60.125"	64 "
IFF-72	72.125"	76 "
IFF-84	84.125"	88 "
IFF-96	96.125"	100 "

Fire Feature shown inside a wood burning fireplace



Minimum fireplace depth required = 14"
Minimum fireplace height required = 18"



STANDARD FEATURES

- Satin Black Paint.
- Clear burner glass media and black surface media.
- On/Off remote control with timer.
- Standing Pilot System

AVAILABLE OPTIONS

- Various tray and burner glass media.
- Electronic ignition system
- Additional (rear) media tray.

INPUT RATES

IFF-24	40,000 Btu/h (NG)	33,500 Btu/h (LP)
IFF-36	61,000 Btu/h (NG)	54,000 Btu/h (LP)
IFF-48	82,000 Btu/h (NG)	72,000 Btu/h (LP)
IFF-60	102,000 Btu/h (NG)	90,000 Btu/h (LP)
IFF-72	106,000 Btu/h (NG)	110,000 Btu/h (LP)
IFF-84	110,000 Btu/h (NG)	128,000 Btu/h (LP)
IFF-96	116,000 Btu/h (NG)	140,000 Btu/h (LP)



GLS-18/GLS-24

The most realistic
log and flame
presentation



FEATURES

- * Robust metal grate made from 1/2" square bar for a substantial completed look
- * Extremely realistic hand detailed log set and glowing embers over glass burner media
- * Various fire glass color options to complement any room's décor
- * On/Off remote control for ease of operation



GLS-18 model



GLS-24 model



STANDARD FEATURES

- Extremely realistic and hand detailed cement log set.
- Various glass burner media.
- Glowing embers over burner glass media.
- Heavy gauge steel construction painted in satin black.
- Standing pilot system with battery powered ignition.
- ON/OFF remote control for ease of operation.

MINIMUM FIREPLACE OPENING

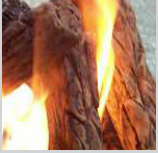






GLS-18: 30" (front) x 23" (rear) x 24" (tall) x 16" (deep)
GLS-24: 36" (front) x 24" (rear) x 26" (tall) x 16" (deep)

INPUT RATES

GLS-18 (NG or LP): 45,000 Btu/h
GLS-24 (NG or LP): 60,000 Btu/h

ACCESSORIES & LOOSE MEDIA OPTIONS

							
	Clear Glass	Black Glass	Amber Glass	Reflective Clear Glass	Reflective Grey Glass	Reflective Blue Glass	Lava Rock
DVI 1000, DVI 750							
DVI 751, DVI 751T	✓	●	✓	✓	✓	✓	
Indoor Fire Feature	●	✓	✓				✓
GLS	●	✓	✓				

							
	Log Set	Electronic Ignition Remote	On/Off Remote	Horizontal or Vertical Thermostat	Wall On/Off Switch	Thermostatic Blower	Stainless Face Trim
DVI 1000, DVI 750	●	✓	●	✓		●	
DVI 751, DVI 751T	●	✓	●	✓	✓	●	✓
Indoor Fire Feature		✓	●				
GLS	●		●	✓	✓		

Woodbridge Fireplace direct vent gas fireplaces are designed to be installed using DirectVent Pro components and are also compatible with ICC, Metal Fab, and Selkirk Direct Vent systems. The following design recommendations are general guideline to assist in the design and selection of venting components for your installation. Always follow DuraVent Installation instructions enclosed with the cap or support box before installing your chimney system. Installation instructions can be viewed online at www.duravent.com, under Catalogs and Instructions.

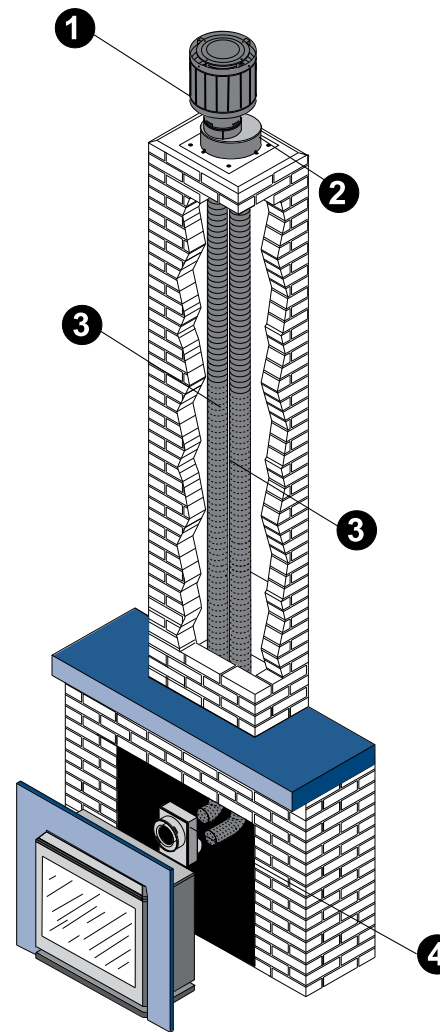
Important: Check the manufacturer's rating plate and instruction manual to confirm that the DuraVent direct vent system is approved for use on the brand name appliance you have selected.

- The inner and outer pipe diameters should match the outlet size of the appliance.
- Check the appliance manufacturer's installation instructions to confirm which types of vent configurations are permitted (i.e. horizontal, vertical, chimney reline, etc.). Also, check for any venting restrictions such as maximum horizontal run, minimum and maximum vertical rise, maximum offset, etc.
- Be fire safe! Maintain at least the minimum clearances (air-space) between the vent pipe and nearby combustibles, as specified in the appliance manufacturer's installation instructions. Use proper support and bracing. Follow local building codes and have your venting system inspected.

Planning Your Installation

1	For vertical gas fireplace installations, measure the height from the stove outlet to the ceiling to determine the length of black pipe required. Select a ceiling support/wall thimble cover or a cathedral ceiling support box.
2	To determine the length of galvanized pipe required, measure the ceiling thickness and the vertical rise in an attic or second story. Firestops are required at each floor level beyond the first floor ceiling support/wall thimble cover or cathedral ceiling support box. If an offset is required to avoid obstructions, use a pair of 45° elbows. For proper support, use elbow straps with offsets. Use wall straps for long vertical runs. Attic Insulation Shield is required in attic.
3	Measure the roof pitch. Select the proper flashing and storm collar. Determine the minimum height above the roof.
4	For horizontal installations, check the appliance manufacturer's instructions for minimum rise and maximum horizontal run. A snorkel termination may be used if height restrictions prevent adequate rise above the appliance. Select the appropriate Horizontal Termination Cap (see appliance manufacturer installation instructions). To protect vinyl siding, select vinyl siding standoff. Check appliance manufacturer's instructions for wall thimble and firestop requirements.

VENTING SPECIFICATIONS



Co-Linear Insert

Installation Key	
1	Vertical Termination Cap
2	Colinear Kit
3	3" or 4" Flex
4	Co-Axial to Co-Linear Connector

Refer to our Typical Venting Installation drawings to select the appropriate component parts for your installation.

USES
FLEXIBLE
LINER KIT
3" UL 1777
2 PCS.

Canada

ENERGUIDE

Look for the **EnerGuide**
Gas Fireplace Energy
Efficiency Rating in this brochure

Based on CSA P.4.1-15



QUALITY HEATING & LEISURE PRODUCTS

www.woodbridgedealer.com



Proudly made in North America!

Woodbridge Fireplace Inc.
1305 Meyerside Dr., Mississauga,
ONTARIO, CANADA L5T 1C9
Tel: 1-844-636-FIRE (3473)