

Classic Collection

Woodbridge Gas Fireplaces



10" Deep Direct Vent Gas Fireplace

- * Traditional fireplace with a minimalistic look
- * Ideal for condos and small rooms
- * Shallow framing depth requirement
- * Rear vented for simplicity of installation
- * Can be installed into a large wood burning fireplace like a gas insert
- * Standing pilot or electronic ignition models available for both Natural Gas and Propane
- * Safety screen and reflective enamelled rear panel
- * Available with various glass burner media to compliment any contemporary room

BDV 1400 (E), HDV 1400 (E)



HDV 1400 Model shown
with optional Log Set

Classic Collection

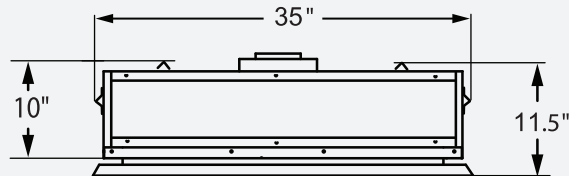
Woodbridge Gas Fireplaces



Direct Vent Gas Fireplace

Specifications:

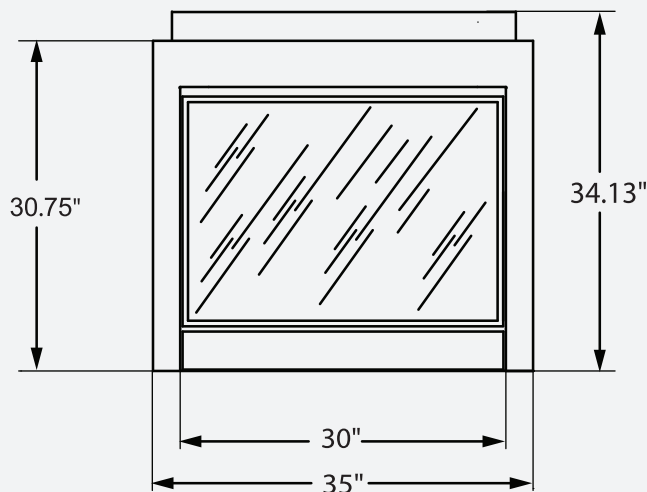
TOP VIEW



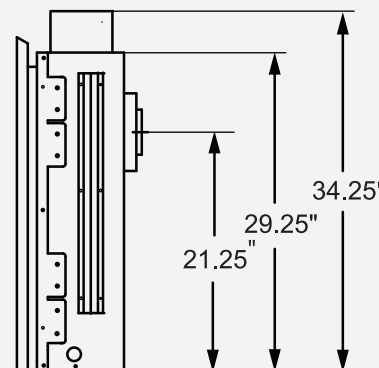
Optional glass media (replaces standard embers)



FRONT VIEW



RIGHT SIDE VIEW



Standard features:

- * Glowing ember burner media.
- * Black reflective enamelled rear panel.
- * Standing Pilot with battery powered igniter.
- * Ceramic glass front for HDV 1400 models and Tempered glass front for BDV 1400 models.
- * Operates without electricity to provide heat during a power failure.
- * On/Off Wall Switch.
- * Built-in safety screen.
- * Stainless steel flex connector and gas shut-off valve.
- * Burner and heavy gauge welded firebox are covered by Lifetime Warranty.

Available options:

- * Realistic glowing 5 pc. log set.
- * Various colour burner glass media (replaces embers).
- * On/Off remote control with timer.
- * LCD wall thermostat.
- * Electronic ignition system
(Requires electricity or batteries to operate).
- * 130 C.F.M. thermostat activated blower.
- * Chimney liner kit with vent adapter for installation into a wood burning fireplace.
- * DirectVent Pro rigid venting components (depends on installation requirements).

BDV 1400-(E) Model:

Gas Input Rate 14,000 Btu/h (NG)
 14,000 Btu/h (LP)
 EnerGuide FE Rating 60.5% (NG)
 59.7% (LP)
 Efficiency (Flue Loss) up to 75%

HDV 1400-(E) Model:

Gas Input Rate 18,000 Btu/h (NG)
 17,000 Btu/h (LP)
 EnerGuide FE Rating 60.9% (NG)
 64.4% (LP)
 Efficiency (FlueLoss) up to 80%

