

Classic Collection

Woodbridge Gas Fireplaces



12" Deep Direct Vent Gas Fireplace

- * Traditional fireplace with a minimalistic look
- * Rear vented for simplicity of installation
- * Safety screen and reflective enamelled rear panel
- * Available with various glass burner media to compliment any contemporary room

DV 1800 Model
shown with optional Log Set

DV 1800 (E)



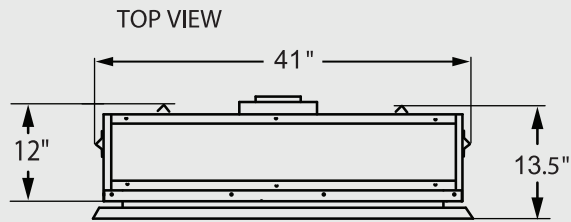
Classic Collection

Woodbridge Gas Fireplaces



DV 1800-(E) Gas Fireplace

Dimensions:



Optional glass media (replaces standard embers)

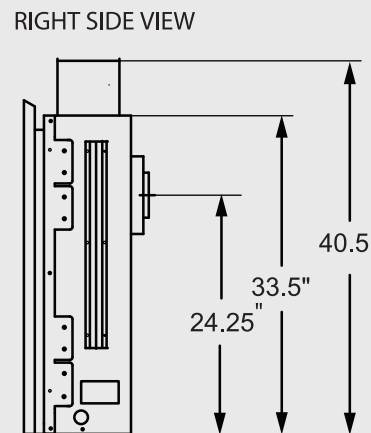
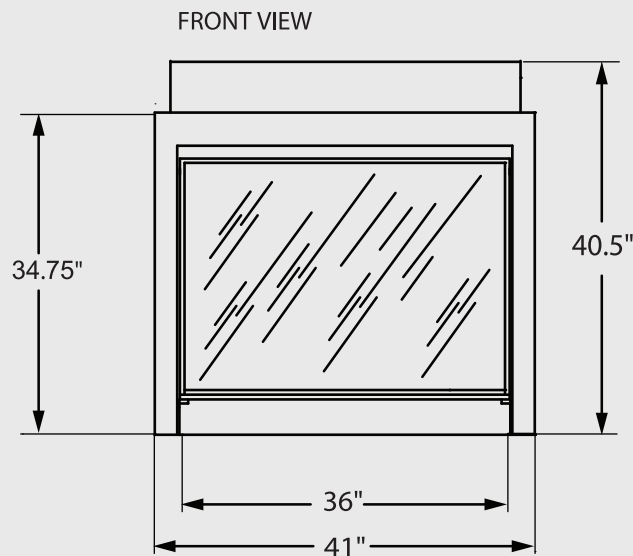


Standard features:

- * Glowing ember burner media.
- * Black reflective enamelled rear panel.
- * Standing Pilot with battery powered igniter.
- * Ceramic glass front with built-in safety screen.
- * On/Off Wall Switch.
- * Stainless steel flex connector and gas shut-off valve.
- * Burner and heavy gauge welded firebox are covered by Lifetime Warranty.
- * Operates without electricity to provide heat during a power failure.

Available options:

- * Realistic glowing 7 pc. log set.
- * Various colour burner glass media (replaces embers).
- * On/Off remote control with timer.
- * LCD wall thermostat.
- * Electronic ignition system
(Requires electricity or batteries to operate).
- * 130 C.F.M. thermostat activated blower.
- * DirectVent Pro rigid venting components
(depends on installation requirements).



DV 1800-(E) specifications:

Gas Input Rate 16 - 25,000 Btu/h (NG)
 18 - 25,000 Btu/h (LP)
 EnerGuide FE Rating 64.3% (NG), 67.8% (LP)
 Efficiency up to 70%

