



# Fire it Up!

WITH JACKSON GRILLS

---

The ultimate outdoor grilling experience.







**The ultimate outdoor grilling experience.**

---

## Fire up your good times with precision grilling equipment from Jackson Grills.

From luxurious outdoor kitchen components and high performance cart barbeques to versatile, travel-anywhere portable grills, Jackson Grills provides the equipment you need to fire up good times with family and friends. As one of Canada's leading specialty custom grill companies, we are committed to providing a diverse range of grilling technology options, factory tested to meet strict quality control standards, and backed by knowledgeable customer support. In your backyard, summer cottage or the backcountry, make the most of the great outdoors with Jackson Grills.

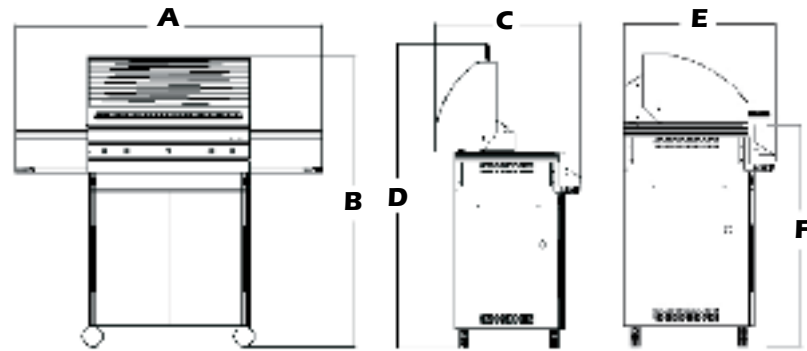
**Fire It Up!**

# Welcome the Whole Family to Your Outdoor Table

The Premier Series is our ultimate grilling system. With a total cooking surface of 672 square inches (Primary: 496 sq. in. Secondary: 176 sq. in.), the Premier 700 Cart Model is large enough to feed the extended family. It's an ideal grill for those who appreciate the luxury of a full outdoor kitchen and living space. Made with high quality, 304 grade stainless steel, it combines luxurious aesthetic appeal with impressive grilling performance. The Premier 700 Cart Model provides the flexibility and grill size you want when grilling multi-course meals for large family gatherings.

## Product Dimensions:

A:61.5" B:48" C:27.25" D:56" E:23.35" F:36.5"  
Primary Cooking Surface: 32 x 15.5"



## FEATURES:

## DIFFERENCE, APPEAL, CAPTIVATE

- TOTAL COOKING SURFACE – 672 SQ INCHES
- TOTAL BTU - 88,500 BTU
- 100% 304 GRADE STAINLESS STEEL CONSTRUCTION
- 4 - STAINLESS STEEL MAIN BURNERS - 15,000 BTU EACH
- 1 - INFRARED REAR ROTISSERIE BURNER - 13,500 BTU
- 1 - INFRARED SIDE BURNER WITH SIMMER BURNER - 15,000 BTU
- CURVED STAINLESS STEEL DOUBLE WALLED HOOD WITH POLISHED ACCENTS
- 5/16" STAINLESS STEEL COOKING SURFACE WITH VARRIABLE GRILLING SURFACE (VGS) AND ROLL CLEAN
- HEAVY GAUGE STAINLESS STEEL FLAME DIFFUSERS
- STAINLESS STEEL ONE PIECE WELDED CONTROL PANEL
- STAINLESS STEEL SIDE SHELVES WITH CONDIMENT BINS AND TOOL HOOKS
- STAINLESS STEEL PULL OUT DRIP PAN WITH OVERFLOW CUP
- STAINLESS STEEL PEDESTAL SYSTEM
- 2 - STAINLESS STEEL DOUBLE LAYER ACCESS DOORS
- 1 - PROPANE TANK SLIDE OUT SYSTEM
- 2 - STAINLESS STEEL STORAGE DRAWERS
- FLAME THROWER IGNITION SYSTEM
- STAINLESS STEEL ROTISSERIE KIT WITH HALOGEN LIGHT MOTOR
- COVER INCLUDED



ASSEMBLY TIME: APPROXIMATELY 30 MINUTES





## Grilling Tip #101

When basting, if the sauce or glaze contains sugar, only apply during the final part of grilling otherwise the sugar will cause burning and charring.

# PREMIER SERIES



## PREMIER SERIES JPG700

The Premier 700 Cart Model features a one-piece seamless welded control panel, seam-welded exterior edges, curved stainless steel double walled hood and a simple, uniform closed-seam design. The result is a high-end polished surface that is easy to clean and easy on the eyes.

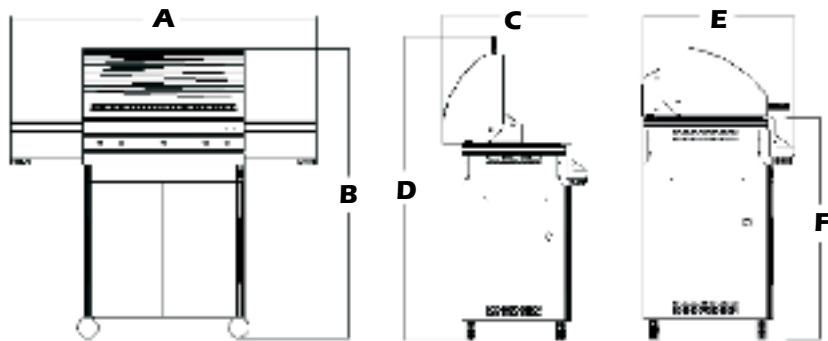


## Fire up your next Sunday Gathering

The Lux 700 Cart Model provides great cooking performance for your lifestyle. It's the best value barbeque available for the dollar you spend. The Lux 700 Cart Model is ideal for avid entertainers, designed to provide stunning quality and maximum cook space for the space you live in. With a total grilling surface of 692 square inches, it fits well on your patio, allowing you to prepare a large quantity of meat and other foods simultaneously. More than enough food to fire up your next party!

### Product Dimensions:

A:60" B:47.5" C:26.5" D:56.125" E:23.25" F:36"  
Primary Cooking Surface: 32 x 15.75"



## FEATURES:

- TOTAL COOKING SURFACE - 692 SQ INCHES
- TOTAL BTU - 73,500 BTU
- 4 - STAINLESS STEEL MAIN BURNERS -15,000 BTU EACH
- 1- INFRARED REAR ROTISSERIE BURNER - 13,500 BTU
- STAINLESS STEEL DOUBLE WALLED HOOD WITH POLISHED ACCENTS
- 5/16" STAINLESS STEEL COOKING SURFACE
- STAINLESS STEEL FLAME DIFFUSERS
- STAINLESS STEEL ONE PIECE WELDED CONTROL PANEL
- TWO PIECE BLACK ACCENT CONTROL KNOBS C/W BEZEL
- STAINLESS STEEL FIREBOX
- STAINLESS STEEL SIDE SHELVES WITH TOOL HOOKS
- STAINLESS STEEL PEDESTAL SYSTEM
- STAINLESS STEEL DRIP TRAY WITH OVERFLOW CUP
- 2 - STAINLESS STEEL DOUBLE LAYER ACCESS DOORS
- FLAME THROWER IGNITION SYSTEM
- STAINLESS STEEL ROTISSERIE KIT WITH BUILT-IN LED LIGHT



ASSEMBLY TIME: APPROXIMATELY 15 MINUTES

## PRESTIGE, SEAMLESS, STUNNING



LUX 700 SERIES JLS700

4 Main Burners



# Grilling Facts

Outdoor Grilling is now the # 1 summer home leisure activity with over one-in-two households owning a BBQ grill.



## LUX 700 SERIES

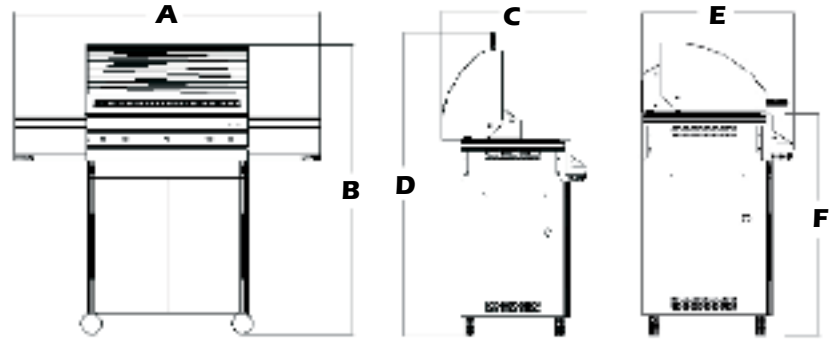


## Add Warmth to Family Dinners

The Lux 550 Cart Model offers the same high quality features as the Lux 700, but in a smaller package. It's the best value barbeque available for the dollar you spend. With a total grilling surface of 510 square inches (primary: 370 sq. in., secondary: 140 sq. in.), it provides ample space to prepare delicious family dinners, and the perfect solution for smaller decks and patios.

### Product Dimensions:

**A:52" B:47.5" C:26.5" D:56.125" E:23.25" F:36"**  
**Primary Cooking Surface: 23.5" x 15.75"**



## FEATURES:

- TOTAL COOKING SURFACE - 510 SQ INCHES
- TOTAL BTU - 58,500 BTU
- 3 - STAINLESS STEEL MAIN BURNERS - 15,000 BTU EACH
- 1 - INFRARED REAR ROTISSERIE BURNER - 13,500 BTU
- STAINLESS STEEL DOUBLE WALLED HOOD WITH POLISHED ACCENTS
- 5/16" STAINLESS STEEL COOKING SURFACE
- STAINLESS STEEL FLAME DIFFUSERS
- STAINLESS STEEL ONE PIECE WELDED CONTROL PANEL
- TWO PIECE BLACK ACCENT CONTROL KNOBS C/W BEZEL
- STAINLESS STEEL FIREBOX
- STAINLESS STEEL SIDE SHELVES WITH TOOL HOOKS
- STAINLESS STEEL PEDESTAL SYSTEM
- STAINLESS STEEL DRIP TRAY WITH OVERFLOW CUP
- 2 - STAINLESS STEEL DOUBLE LAYER ACCESS DOORS
- FLAME THROWER IGNITION SYSTEM
- STAINLESS STEEL ROTISSERIE KIT WITH BUILT-IN LED LIGHT



ASSEMBLY TIME: APPROXIMATELY 15 MINUTES

## PRESTIGE, SEAMLESS, STUNNING



**LUX 550 SERIES** JL550

3 Main Burners





*Did you know*

When grilling beef, pork and chicken, allow for a resting time between when you finish grilling and when you cut the meat. This allows for juicier bites.



## **LUX 550** SERIES



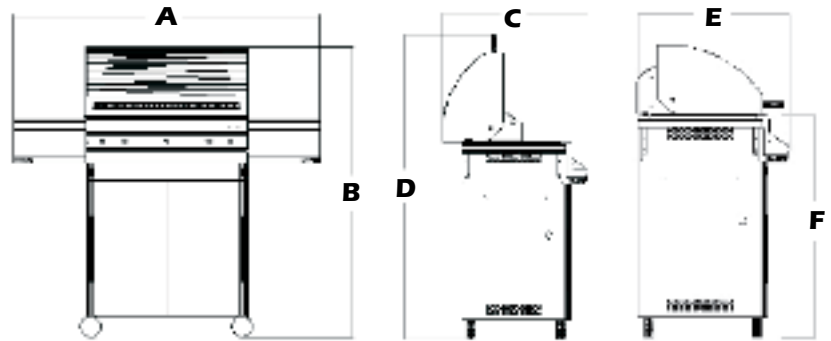
## Heat up your candlelight dinners

The Lux 400 Cart Model; a full sized grill in a compact package; perfect for singles, couples and today's smaller families. Grill the perfect steak; roast a chicken to perfection on the infrared rotisserie. With a total grilling surface of 370 square inches, the Lux 400 offers the perfect balance between performance and flexibility. Ideal for smaller patios and decks.



### Product Dimensions:

A:46" B:47.5" C:26.5" D:56.125" E:23.25" F:36"  
Primary Cooking Surface: 17 x 15.75"



## FEATURES:

- TOTAL COOKING SURFACE – 370 SQ INCHES
- TOTAL BTU – 37,500 BTU
- 2 STAINLESS STEEL MAIN BURNERS – 15,000 BTU EACH
- 1 INFRARED REAR ROTISSERIE BURNER – 7,500 BTU
- STAINLESS STEEL DOUBLE WALLED HOOD WITH POLISHED ACCENTS
- 5/16" STAINLESS STEEL COOKING SURFACE
- STAINLESS STEEL FLAME DIFFUSERS
- STAINLESS STEEL ONE PIECE WELDED CONTROL PANEL
- TWO PIECE BLACK ACCENT CONTROL KNOBS C/W BEZEL
- STAINLESS STEEL FIREBOX
- FOLDING STAINLESS STEEL SIDE SHELVES WITH TOOL HOOKS
- STAINLESS STEEL PEDESTAL SYSTEM
- STAINLESS STEEL DRIP TRAY WITH OVERFLOW CUP
- STAINLESS STEEL FRONT PANEL
- FLAME THROWER IGNITION SYSTEM
- STAINLESS STEEL ROTISSERIE KIT WITH BUILT-IN LED LIGHT



**ASSEMBLY TIME:** APPROXIMATELY 15 MINUTES

## PRESTIGE, SEAMLESS, STUNNING



**LUX 400 SERIES** JLS400

2 Main Burners



## Grilling Tip # 102

You can enhance the flavour of your steaks by rubbing salt, pepper, and a touch of garlic on both sides of the meat before grilling your steaks.



# JACKSON GRILLS

JPG850 FEATURED



**VERSATILITY, FREEDOM, DISTINCTIVE**

# VERSA 100 SERIES

JPG100



OPTIONAL "CLIP ON" STAINLESS WORK SURFACE AVAILABLE FOR VERSA 100. (Will mount on front of grill)



## Master the Grill at your Home Away from Home

No matter where life takes you, the Versa 100 can tag along. Grill the perfect food while traveling in your RV, on a boat or on the deck of your vacation condo. The Versa 100 Series combines luxury, power and versatility with portability to give you freedom to move.

### Options:

- Multi Purpose Valve
- Table Top Cover
- Full Length Cover
- Patio Mount (incl. Folding Stainless Side Shelf)
- Long Leg Kit (incl. Folding Stainless Side Shelf)
- Rail Mount Adapter
- Pedestal System (incl. Folding Stainless Side Shelf)
- Natural Gas 10' Hose with Quick Disconnect
- Carry Bag
- Rotisserie Kit
- 5' LP QCC Hose & Regulator Assembly
- "Clip On" Stainless Work Surface

## FEATURES:

- 100% STAINLESS STEEL CONSTRUCTION
- 16 GAUGE STAINLESS 10,000 BTU BURNER
- STAINLESS STEEL FLAME DIFFUSER
- DOUBLE WALLED ROASTING HOOD WITH TEMPERATURE GAUGE
- ELECTRONIC IGNITION
- 275 SQUARE INCHES OF COOKING SPACE
- STAINLESS STEEL VGS, ROLL CLEAN COOKING SURFACE
- FULLY INTEGRATED GREASE MANAGEMENT SYSTEM



**NOW AVAILABLE**

Connect your Versa Series Grill to your RV!

## TRANSFORM YOUR TABLETOP

**Options:** (shown with folding stainless side shelf)



**RAIL MOUNT SYSTEM**



**PATIO MOUNT**



**LONG LEG KIT**



**PEDESTAL SYSTEM**



**FUN, FLEXIBILITY, ADVENTURE**

# VERSA 75 SERIES

JPG75

## Put the Adventure in Grilling

The Versa 75 makes it possible to cook at your camp site, on a boat, the beach, or on the lakeshore. It combines a high-performance stainless steel cook surface with the flexibility to grill wherever you go. The smaller size version of the Versa 100, the Versa 75 is packed with many of Jackson Grills' high quality features and perfect for limited space applications.

## FEATURES:

- 100% STAINLESS STEEL CONSTRUCTION
- 16 GAUGE STAINLESS 10,000 BTU BURNER
- STAINLESS STEEL FLAME DIFFUSER
- FOLD AND GO LEG SYSTEM
- ELECTRONIC IGNITION
- 185 SQUARE INCHES OF COOKING SPACE
- STAINLESS STEEL VGS, ROLL CLEAN COOKING SURFACE
- FULLY INTEGRATED GREASE MANAGEMENT SYSTEM



## Options:

- Multi Purpose Valve
- Table Top Cover
- Rail Mount Adapter
- Natural Gas 10' Hose with Quick Disconnect
- Carry Bag
- 5' LP QCC Hose & Regulator Assembly



## NOW AVAILABLE

Connect your Versa Series Grill to your RV!



# BUILT INS

## PREMIER & LUX SERIES



**JPG850BI-2**



**JPG700BI-2**



**JLS700BI**



**JLS550BI**

# PREMIER & LUX SERIES

JPG850BI-2



JPG700BI-2



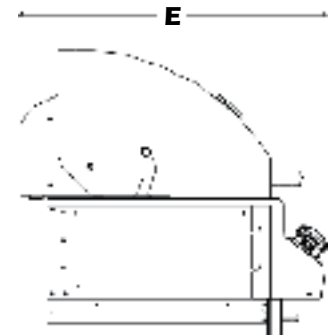
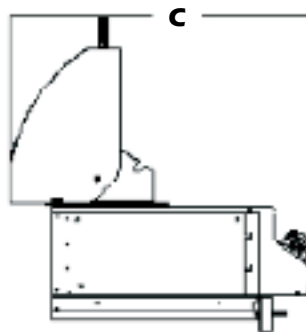
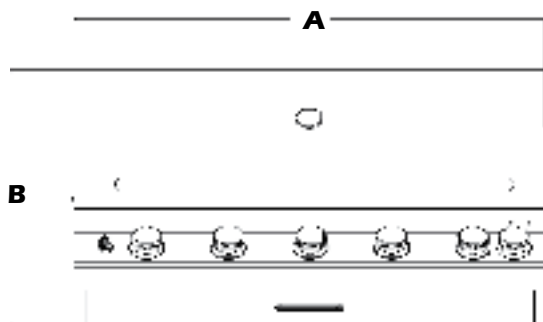
JLS700BI



JLS550BI



|  |                 |                   |                   |                   |
|--|-----------------|-------------------|-------------------|-------------------|
| TOTAL BTU OUTPUT   | 88,500          | 73,500            | 73,500            | 58,500            |
| 100% STAINLESS STEEL CONSTRUCTION                                  | ●               | ●                 | ●                 | ●                 |
| TOTAL COOKING SQ. INCHES   | 810 - 40" Grill | 692 - 33.5" Grill | 692 - 33.5" Grill | 510 - 25.5" Grill |
| NUMBER OF HEAVY DUTY STAINLESS STEEL BURNERS                       | 5               | 4                 | 4                 | 3                 |
| ROUND DOUBLE WALL ROASTING HOOD, SEAM WELDED WITH POLISHED ACCENTS | ●               | ●                 |                   |                   |
| MULTI-BEND DOUBLE WALL ROASTING HOOD WITH POLISHED ACCENTS         |                 |                   | ●                 | ●                 |
| CERAMIC INFRARED REAR BURNER WITH ELECTRONIC IGNITION              | ●               | ●                 | ●                 | ●                 |
| HEAVY DUTY FLAME DIFFUSING SYSTEM                                  | ●               | ●                 | ●                 | ●                 |
| FULL WIDTH, FULL DEPTH STAINLESS STEEL GREASE PAN                  | ●               | ●                 | ●                 | ●                 |
| INDEPENDENT FLAME THROWER IGNITION SYSTEM                          | ●               | ●                 | ●                 | ●                 |
| STAINLESS STEEL COOKING GRID CONSTRUCTION                          | ●               | ●                 | ●                 | ●                 |
| LIGHT MOUNTED ON ROTISSERIE MOTOR FOR NIGHT GRILLING               | ●               | ●                 | ●                 | ●                 |
| PROPANE OR NATURAL GAS CONVERSION KIT (OPTIONAL)                   | ●               | ●                 | ●                 | ●                 |
| HEAVY DUTY ROTISSERIE KIT INCLUDED                                 | ●               | ●                 | ●                 | ●                 |
| COVER INCLUDED   | ●               | ●                 | ●                 | ●                 |
| LIMITED LIFETIME WARRANTY  | ●               | ●                 | ●                 | ●                 |



## Product Dimensions:

|          | JLS550BI | JLS700BI | JPG700BI-2 | JPG850BI-2 |
|----------|----------|----------|------------|------------|
| <b>A</b> | 25.5"    | 33.5"    | 33.5"      | 40.5"      |
| <b>B</b> | 22"      | 22"      | 21.75"     | 21.75"     |
| <b>C</b> | 26.5"    | 26.5"    | 27.125"    | 27.125"    |
| <b>E</b> | 23.25"   | 23.25"   | 23.375"    | 23.375"    |

## Primary Cooking Surface:

|                |              |             |              |
|----------------|--------------|-------------|--------------|
| 23.5" x 15.75" | 32" x 15.75" | 32" x 15.5" | 39" x 15.75" |
|----------------|--------------|-------------|--------------|



# BUILT IN ACCESSORIES



**BUILT IN** COCKTAIL CENTRE COCKTAIL



TRASH CAN INCLUDED

PROPANE TANK NOT INCLUDED

**BUILT IN** 30" COMBO DOOR / DRAWER BICOMBODOOR



TRASH CAN INCLUDED PROPANE TANK NOT INCLUDED

**BUILT IN** TRASH BIN / PROPANE TANK - SLIDING DRAWER TRASHBIN





# BUILT IN ACCESSORIES

CUSTOM, ENTERTAINMENT, CHOICE



**SINGLE SIDE BURNER SYSTEM**

JGSB



**STAINLESS STEEL VENT**

SS VENT



**18 x 18 ICECHEST**

ICECHEST



**30" DOUBLE DOORS**

BIDBLDOORS



HORIZONTAL AVAILABLE

**17 x 24 ACCESS DOOR**

BIDOORSV



**14 x 20 ACCESS DOOR**

BIDOORSSMVT



**10 x 10 ACCESS DOOR**

BIACCESS



**PAPER TOWEL HOLDER**

PAPERHLDR



**BUILT IN BOTTLE OPENER**

BOTTLOPENER



**2 DRAWER SYSTEM**

DRAWER2



**3 DRAWER SYSTEM**

DRAWER3

# OUTDOOR APPLIANCES

**CONVENIENCE, QUALITY, ENJOYMENT**



**15" OUTDOOR  
ICE MAKER**

## **FEATURES:**

- 304 GRADE STAINLESS STEEL
- REVERSIBLE DOOR
- PRODUCES UP TO 44 LBS OF ICE PER DAY
- BUILT IN INSTALLATION OR FREE STANDING
- THICK INSULATION TO ALLOW ICE TO BE STORED FOR LONG PERIODS OF TIME

AZ-20A



**15" OUTDOOR  
BEVERAGE  
CENTRE**

## **FEATURES:**

- 304 GRADE STAINLESS STEEL WITH GLASS DOOR
- ADJUSTABLE TEMPERATURE FROM 36 - 64 DEGREES F
- BUILT IN HEATER FOR USE DURING WINTER
- ELECTRONIC CONTROLLER WITH LCD DISPLAY
- INTERIOR LIGHT
- FIVE WAVED SHELVES, THREE FLAT SHELVES, ONE BASKET
- BOTTOM BASKET FOR DISPLAYING WINE BOTTLES OR CANS

SC900D



**15" OUTDOOR  
REFRIGERATOR**

## **FEATURES:**

- 304 GRADE STAINLESS STEEL
- REVERSIBLE DOOR
- ADJUSTABLE TEMPERATURE FROM 35 - 50 DEGREES F
- BUILT IN HEATER FOR USE DURING WINTER
- THREE FLAT STEEL SHELVES AND ONE BASKET
- INTERIOR LIGHT
- ROTARY THERMOSTATIC CONTROL

BC900D

*Did you know*

That indoor appliances are not designed to operate outdoors in the cold weather of winter or the heat of the summer. Jackson Grills now offers a complete line of outdoor approved appliances built from 304-grade stainless steel and designed to withstand whatever mother nature throws at them.



**COZY, WARM, PORTABLE**

# MILAN CHAT TABLE & PATIO FIRE

## WARMTH & AMBIANCE

The Milan Chat Table is an optional table mount for the Jackson Grills Patio Fire and is perfect for friends and family to sit around and enjoy the warmth and ambiance of the fire while at home.



### Milan Chat Table Features

- Solid ¾" Thick Granite Tabletop
- Black Powder Coated Table Base
- 4 Stainless Steel Seam Welded Legs

## ON THE GO FIRE PIT

Simply lift the Patio Fire out of the table for on the go enjoyment.

### Patio Fire Features

- 50,000 BTU Burner System with Log Set
- Weatherproof and Weather-Guard Lid
- Stainless Steel Wind Guard
- 5' Hose, Regulator and Valve
- Operates up to 20 hours on a 20lb tank [tank sold separately]



### More Fire Pit Options

- Natural Gas Conversion Hose: Patio Fire natural gas hose with inline control valve [natural gas orifice not included]
- Log set can be changed out for glass: Fire glass is available in three different colours: White Arctic, Black Arctic, & Blue Arctic
- Rocks can also be added in with the fire glass





For **cleaning and maintenance tips** scan this code with your mobile device.

[www.jacksongrills.com/see/cleaning](http://www.jacksongrills.com/see/cleaning)

**Grill us, anytime.**

**Jackson Grills™**  
106-2480 Mt Lehman Road  
Abbotsford, BC V4X 2N3

Phone: (604) 855-6756  
Toll Free Phone: 1-888-287-3333  
Toll Free Fax: 1-877-855-5373  
[info@jacksongrills.com](mailto:info@jacksongrills.com)

[www.jacksongrills.com](http://www.jacksongrills.com)

