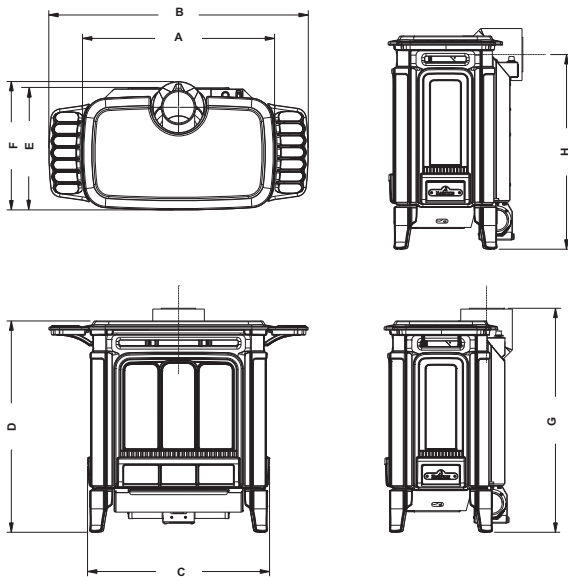


Model	H27-NG	H27-LP
Fuel Type	Natural Gas	Propane
Minimum Supply Pressure	5" W.C. (1.25 kPa)	12" W.C. (3.0 kPa)
Manifold Pressure - High	3.8" W.C. (0.94 kPa)	11" W.C. (2.74 kPa)
Manifold Pressure - Low	1.1" W.C. (0.27 kPa)	2.9" W.C. (0.72 kPa)
Orifice Size	#42 DMS	#54 DMS
Minimum Input	12,500 BTU/h (3.66 kW)	11,500 BTU/h (7.33 kW)
Maximum Input	25,000 BTU/h (7.32 kW)	23,000 BTU/h (9.09 kW)
Vent Sizing (Rear Vent)	4" Inner / 6-5/8" Outer	4" Inner / 6-5/8" Outer
Vent Sizing (Top Vent)	4" Inner / 6-5/8" Outer	4" Inner / 6-5/8" Outer

Approved Venting Systems	
Flex Vent Systems:	FPI AstroCap™ Flex Vent
Rigid Pipe Vent Systems:	Simpson Direct Vent Pro® Selkirk Direct-Temp™ Metal-Fab® Sure Seal

Unit Dimensions	Description	H27
A	Width (excluding optional side shelves)	24 - 9/16"
B	Width (including optional side shelves)	33-1/4"
C	Width Front Face	23 - 5/16"
D	Height	27-1/16"
E	Unit Depth	15-7/16"
F	Unit Depth (including vent)	16-7/16"
G (Top Vent)	Height to Top Vent	28-11/16"
H (Rear Vent)	Height to Rear Vent Centerline	25"



* Unit shown with optional side shelves.

Clearance to Combustibles

The clearances listed are MINIMUM distances. Measure the clearance to both the appliance and the chimney connector. **The farthest distance is correct if the two clearances do not coincide.**

For example, if the appliance is set as indicated in one of the figures but the connector is too close, move the stove until the correct clearance to the connector is obtained.

This appliance may be installed only with the clearances as shown in the situations pictured. **Do not combine clearances from one type of installation with another in order to achieve closer clearances.**

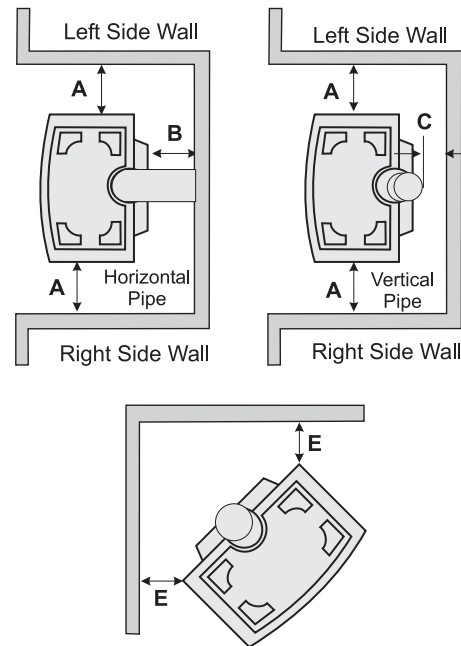
This unit can be installed on a solid combustible surface like a wood floor. This unit can also be installed directly on carpeting or vinyl.

Use the minimum clearances shown in the diagrams below:

H27-NG & H27-LP Clearances

- A Left Side Wall to Unit* 6" / 150 mm
- B Back Wall to Unit 3" / 75 mm
- C Vertical Vent Pipe to Back Wall 2" / 50 mm
- E Unit Corner to Wall 2" / 50 mm
- Unit Top to Alcove Ceiling 24" / 610 mm

Minimum ceiling height is 24" / 610 mm from top of unit.

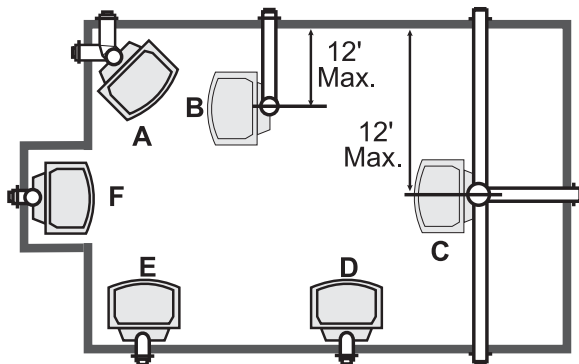


This manual is intended to be a Sales Reference Guide only. Do NOT use for actual framing and installation of any unit. Some specifications may change without notice. You must use the actual manual for exact installation specifications.

Hampton H27

Locating your Gas Fireplace

When selecting a location for your stove, ensure that the clearances listed above are met as well as ensuring that there is adequate accessibility for servicing and proper operation.



- A) Cross Corner
- B) Room Divider
- C) Island
- D) Flat on Wall
- E) Flat on Wall Corner
- F) Flush with Wall/Alcove

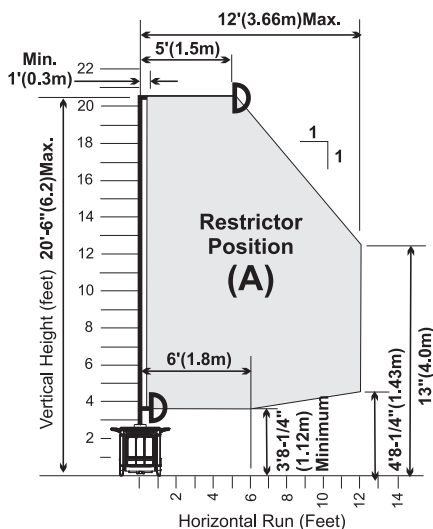
For Vent Termination requirements, see "Exterior Vent Terminal Locations" section.

Horizontal Terminations for All Venting Systems

The shaded areas in the diagram below show all allowable combinations of vertical runs with horizontal terminations. Maximum one 90° elbow (two 45° elbows equal one 90° elbow).

Propane and Natural Gas: Residential, Manufactured and Mobile Homes Installations

May be installed in Manufactured (Mobile) Homes after first sale.



Vertical Terminations Systems for Residential Manufactured and Mobile Homes

The shaded area in the diagram below shows all allowable combinations of straight vertical and offset to vertical runs with vertical terminations. Maximum two 45° elbows.

If the vent is ENCLOSED in a chase (min. size 9" x 9") maintain a 1-1/4" clearance to combustibles.

May be installed in Manufactured (Mobile) Homes after first sale.

Offset to Vertical Terminations

