



DESIGNED TO HEAT.
BUILT TO LAST.

GAS

FIREPLACES





Q1 Fireplace – Glass Burner with Porcelain Liner



Q1 Fireplace – Minimal Surround, Log Burner with Brick Liner



Q1 Fireplace Insert – Modern Surround, Coal Burner, Ledgestone Liner

Design Features

- Clean Face Look — No Louvers
- SIT Valve | Standing Pilot
- SIT Valve | IPI with Remote
- Viewing Area: w16½" x h18¾"
- Hand Welded Firebox
- Fireplace & Insert Configurations
- 150 CFM Room Fan (with Variable Control)
- Limited Lifetime Warranty

Fireplace Details

Model	Q1
Heating Area	1,100 ft²
BTU Maximum Input	20,000 BTU
BTU Minimum Output	7,900 BTU
Minimum Fireplace Dims.	w25¼" h35¼" d15¼"
Minimum Insert Dims.	w20" h27½" d12½"
IPI FE Rating (P4)	79%



High Definition Log Set



Coal Burner



High Efficiency Heat Exchanger



Q1 Fireplace - Log Burner with Brick Liner



Q2 Fireplace – Log Set with Painted Firebox



Q2 Fireplace – Minimal Surround, Glass Burner Porcelain Liner



Q2 Fireplace – Modern Surround, Log Set with Brick Liner

Design Features

- Clean Face Look — No Louvers
- Standing Pilot
- IPI Valve with Remote
- Viewing Area: w26" x h21¼"
- High Definition Log Set
- Hand Welded Firebox
- Optional 150 CFM Room Fan
- Limited Lifetime Warranty

Fireplace Details

Model	Q2
Heating Area	1,400 ft ²
BTU Maximum Input	24,000 BTU
BTU Minimum Output	8,000 BTU
Minimum Fireplace Dims.	W34½" H29¼" D13"
IPI FE Rating (P4)	67%



High Definition Log Set



Black Glass Fire Bed



High Efficiency Heat Exchanger



Q4 Fireplace - Log Set with LedgeStone Liner



Q4 Fireplace - Log Set with Rustic Brick Liner



Q4 Fireplace - Log Set with Porcelain Liner

Design Features

- Clean Face Look — No Louvers
- IPI Valve with Remote
- 67% Burner Turn Down
- Viewing Area: w33¼" x H29"
- Ultra High Definition Log Set
- Limited Lifetime Warranty
- Cast Iron Log Grate
- Hand Welded Firebox

Fireplace Details

Model	Q4
Heating Area	2,000 ft ²
BTU Maximum Input	48,000 BTU
BTU Minimum Output	16,000 BTU
Minimum Fireplace Dims.	W44¾" H52¼" D24"
IPI FE Rating (SS)	79%



Ultra High Definition Log Set



Rustic Brick Liner



Q4 LedgeStone Liner

Performance Specifications

	Q1 Fireplace & Insert	Q2 Fireplace	Q4 Fireplace
BTU Maximum input	20,000 BTU	24,000 BTU	48,000 BTU
Turn Down*	50%	50%	67%
Heat Exchanger	✓	✓	✓
SIT Valve 820 (Standing Pilot)	✓	✓	✓
SIT Valve 885 (IPI)	✓	✓	✓
Efficiency - Steady State**	76%	70%	79%
Efficiency - AFUE (IPI)	67%	66%	72%
Efficiency - FE rating***	79%	67%	63%
Viewing Area	W16½" x H18¾"	W26" x H21¼"	W33¼" x H29"
Convection Fan	150 CFM	Optional	

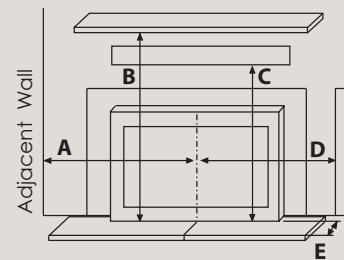
Installation Specifications

	Q1 Fireplace & Insert	Q2 Fireplace	Q4 Fireplace
Min. Fireplace Dimensions (W x D x H)	W25¼" H35¼" D15¼"	W34½" H29¾" D13"	W44⅝" H52¼" D24"
Min. Insert Dimensions (W x D x H)	W20" H27½" D12½"	N/A	N/A
Fireplace Venting	4" x 6⅝" DV	4" x 6⅝" DV	5" x 8" DV
Insert Venting	3" x 3"	N/A	N/A
LP Conversion Kit (Standing Pilot)	✓	TBA	✓
Weight (lbs)	110 lbs	155 lbs	320 lbs

Minimum Clearance to Combustibles

	Q1 Fireplace & Insert	Q2 Fireplace	Q4 Fireplace
A - center of unit to side wall	16.5"	21.875"	28½"
B - bottom of unit to bottom of 12" mantle	41"	49"	54¼"
C - bottom of unit to max. ¾" combustible facing	35¼"	40"	80"
D - center of unit to side facing	10"	17½"	18½"
E - front of door to edge of floor protection	12"	N/A	12½"

* Turn down based on AFUE efficiencies on low
 ** Steady state rating based on conventional venting configuration
 *** Efficiency based on the P4 measured efficiency rating of the IPI models



Surround Panels

	Q1 Fireplace and Insert	Q2 Fireplace	Q4 Fireplace
Contemporary Surround (Includes Trimmable Panel)	W 36" H 32"		
Minimal Surround	W 22.8" H 26.4"	W 33.27" H 28.8"	
Minimal Surround Four-Sided	W 22.8" H 26.4"		
Modern Surround	W 30" H 30"	W 37" H 30.5"	
Modern Stainless Steel Surround	W 30" H 30"		
Trimmable Panel	W 36" H 32"		

Firebox Liners

	Q1 Fireplace and Insert	Q2 Fireplace	Q4 Fireplace
Ceramic Brick Liner	Included	OP	OP
Porcelain Liner	OP	OP	OP
Ledgestone Liner	OP		OP
Painted Liner		Included	

Burner Variations

	Q1 Fireplace and Insert	Q2 Fireplace	Q4 Fireplace
High Definition Log Set Burner	✓	✓	
Ultra High Definition Log Set Burner			✓
Glass Burner Tray (Black Glass)	Top vent configuration only	Top vent configuration only	
Coal Burner	✓		

Additional Options

	Q1 Fireplace and Insert	Q2 Fireplace	Q4 Fireplace
Programmable Thermostat	OP	OP	OP
Remote Control	Included w/IPI	Included w/IPI	Included w/IPI
Power Vent Kit			OP
Heat Distribution Kit			OP

OP = optional to that model

Q1 Fireplace Surrounds



Minimal Surround



Four-Sided Minimal Surround



Modern Surround



Stainless Steel Modern Surround



Contemporary Surround w/ Trimmable Panel



Trimmable Panel

Q2 Fireplace Surrounds



Minimal Surround



Modern Surround

Firebox Elements



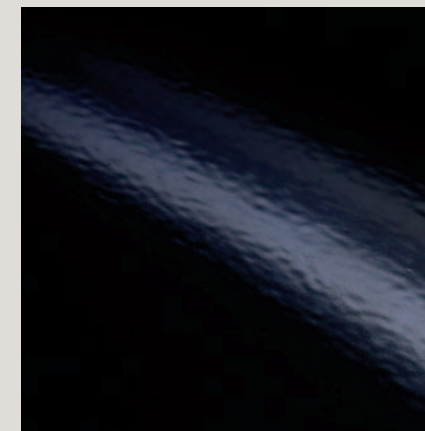
Ceramic Brick Liner
Available for the Q1 and Q2



Rustic Ceramic Brick Liner
Available for the Q4



Ledgestone Liner
Available for the Q1 and Q4



Porcelain Liner
Available for the Q1, Q2, and Q4



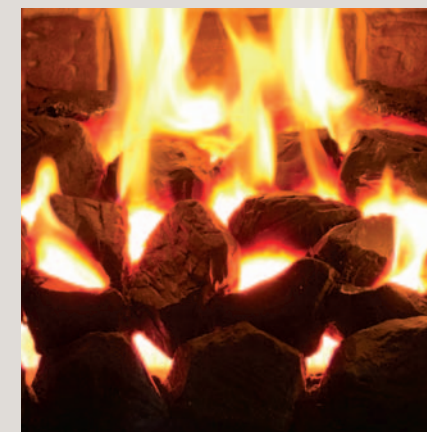
High Definition Log Set
Available for the Q1 and Q2



Ultra High Definition Log Set
Available for the Q4



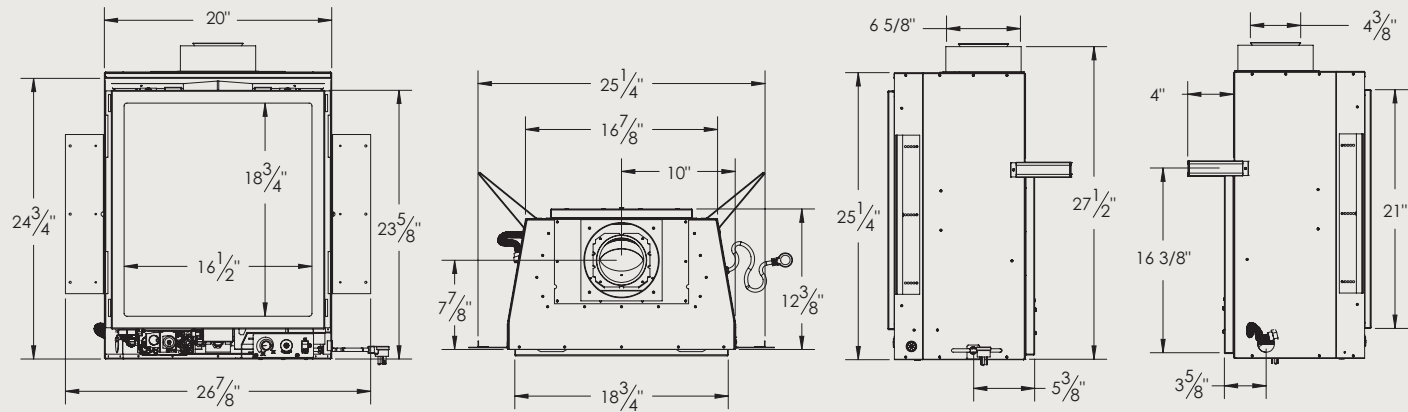
Tray Burner with Glass
Available for the Q1 and Q2



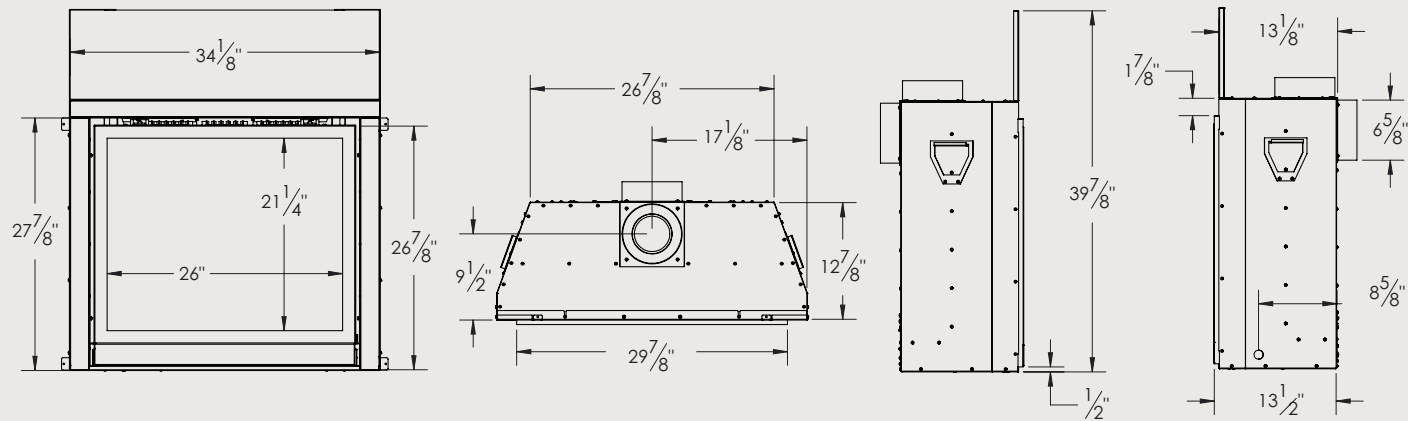
Coal Burner
Available for the Q1

Unit Dimensions

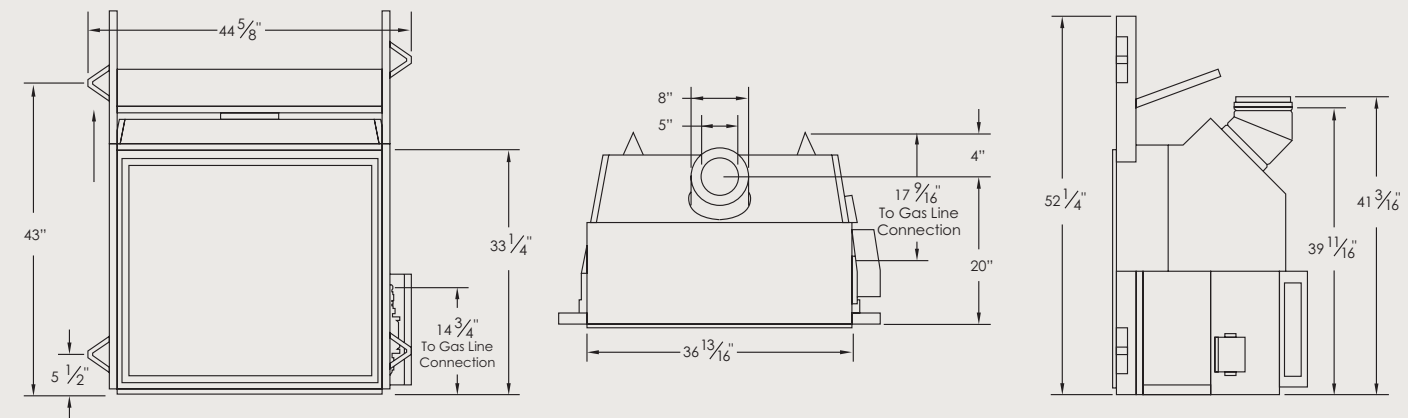
Q1 Fireplace and Insert



Q2 Fireplace



Q4 Fireplace



Learn more about your dream fireplace at

enviro.com

- Detailed Product lineup
- Model Photo Galleries
- Downloadable Manual PDF's
- Unit Comparison Charts
- Youtube Burn Example Videos
- Online Brochures
- Dealer Locator Tool



Learn more about
your dream fireplace at

enviro.com

- *Youtube Burn Videos*
- *Detailed Product lineup*
- *Fireplace Photo Galleries*
- *Unit Comparison Charts*
- *Downloadable Manuals*
- *Online Brochures*

