

# SPARK Fire Ribbon Direct Vent Vu Thru



A modern fire  
with double the impact



Look right through your fire and enjoy it from two rooms. A natural choice for any contemporary floor plan. The Vu Thru has an open airy window feel that fits flawlessly into any modern environment.



**SPARK**  
modern fires

# SPARK Fire Ribbon Direct Vent Vu Thru

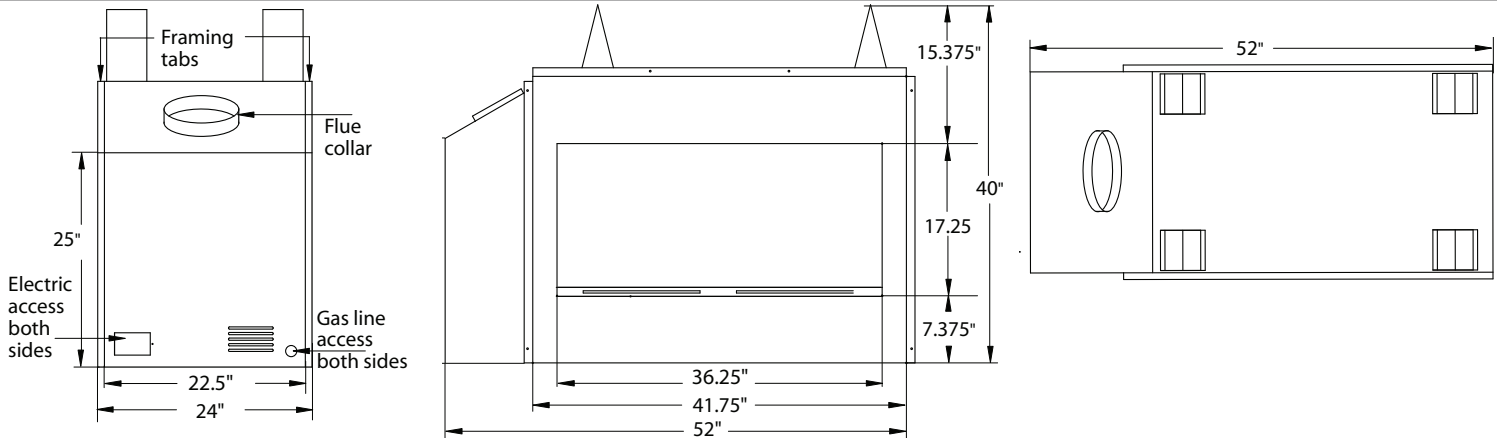


- The Fire Ribbon Vu Thru allows you the luxury of viewing your Fire Ribbon from two different rooms.
- Viewable dimensions: 36" wide x 17" high x 13" deep
- Clean modern appearance
- Safety of fixed ceramic glass
- Versatility and ease of installation
- No hearth is required
- Available as 2-sided or 3-sided
- No draft concerns
- Available in Millivolt or Electronic Ignition versions

Right Side view

Front view

Top view



**Model No.**

**DV 91**

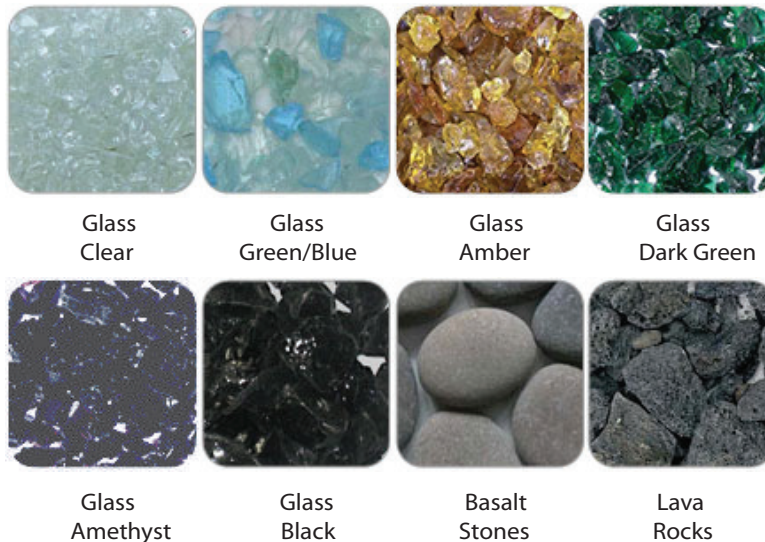
- Interior opening**
- Outer dimensions**
- Gas type**
- On/off**
- Efficiency**
- Venting Options**

36.25"W x 17" H x 13" D  
 52.5"W x 40" H x 22.5"D  
 Natural or LP/propane  
 Remote control or wall switch  
 Up to 80%  
 Through sidewall or roof  
 Must vent 2' vertical first before any horizontal venting  
 Simpson DuraVent GS Pro 6-5/8" diameter  
 Thermostat activated 160 c.f.m.  
 110 v. for fan  
 27,000 - 38,000 BTU/h  
 2 Fixed ceramic glass panels  
 Satin Black

**Why pick a Spark Fire Ribbon Vu Thru?**

- Vent through the roof or side wall
- Up to 80% efficient
- Heating capacity enhanced with integrated fan
- Approved for bedrooms, bathrooms and all common rooms
- Accepted by all major building and mechanical codes in the U.S. including the IMC (International Building Code) and the UMC (Uniform Mechanical Code). *Please check with local codes before ordering*
- Approved in all 50 states and Canada
- Certified by OMNI Testing Labs

**Optional Media for Tray:**



**Woodbridge Fireplace**  
[www.woodbridgefp.com](http://www.woodbridgefp.com)

**SHOWROOM ADDRESS:**  
 1305 Meyerside Dr.,  
 Mississauga, L5T 1C9  
 Tel: 905-564-3001