

Gas Insert Collection

Woodbridge Gas Fireplaces



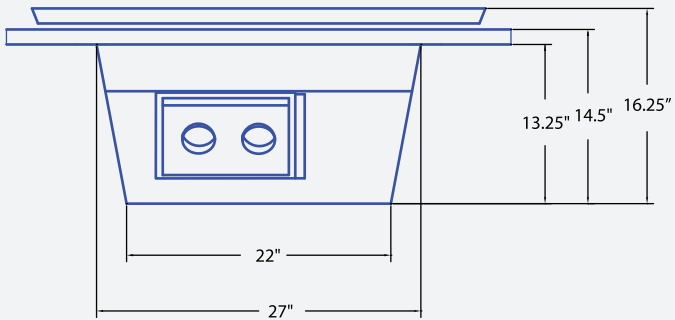
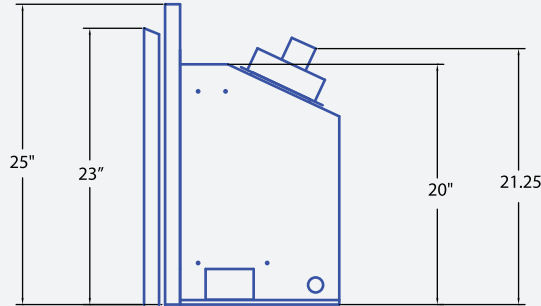
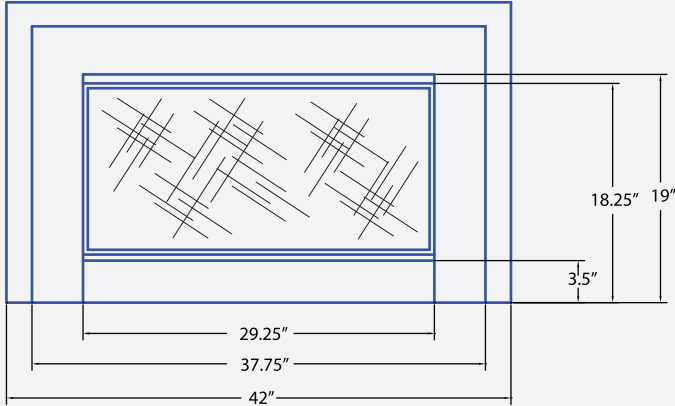
DVI 751



Gas Insert Collection

Woodbridge Gas Fireplaces

DVI 751 Gas Insert



Minimum Fireplace Opening: 27" (W) x 22.5" (H) x 14" (D)

NOTE: DVI 751 standing pilot version operates without any electrical supply.
Blower and Electronic Ignition System require electricity for operation.

SPECIFICATIONS

NATURAL GAS

Manifold Pressure:(W.C.) 3.5"
Maximum Supply Pressure 10.5"
Minimum Supply Pressure 4.5"

PROPANE GAS

Manifold Pressure:(W.C.) 10"
Maximum Supply Pressure 13"
Minimum Supply Pressure 11"

SPECIFICATIONS	DVI 751	
	NATURAL	PROPANE
Max. Btu/hr Input	28,500	28,000
Min. Btu/hr Input	18,000	21,000
EnerGuide FE rating	50%	51%
Efficiency (Flue Loss)	up to 72%	up to 72%

Standard trim, optional stones.

4-sided trim, optional stones.

Standard features:

- * Contemporary style fireplace insert in satin black finish.
- * Safety and convenience of a direct vent gas heater.
- * Durable ceramic glass viewing area.
- * Enamelled panels.
- * Burner and Heavy gauge welded firebox are covered by Lifetime Warranty.
- * Battery powered pilot ignitor and ON/OFF remote control with timer for easy operation.
- * Works without electricity providing heat during power failure.
- * Black glass burner media.
- * Stainless steel flex connector and gas shut-off valve.
- * Variable gas valve control of flame height.
- * 130 C.F.M. Thermostat activated blower.
- * Certified Safety Screen.

Optional features:

- * Natural Gas or Propane/LP model.
- * 13 pc. decorative stone set
- * Touch screen remote control or wall thermostat.
- * Electronic Ignition System with thermostat remote control and flame modulation.
- * 4-sided trim kit.



Report # 0401GN010S