

# Outdoor Collection

## Woodbridge Gas Fireplaces

### Outdoor See-Thru Gas Fireplaces

See-thru fireplaces are the perfect design feature to include in any outdoor entertaining space.

They create a flow between two areas and provide the warm ambience of flames with a contemporary edge.

**Innovative Design**  
**Quality**  
**Durability**  
**Reliability**



Model SS-36-ST shown

SS-36-ST, SS-48-ST, SS-60-ST, SS-72-ST

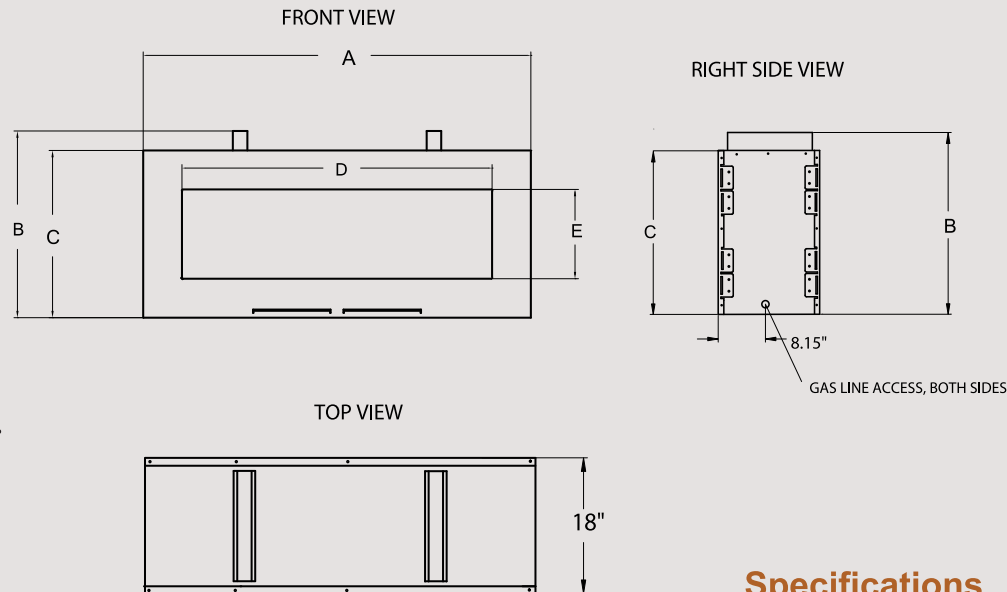
# Outdoor Collection

## Woodbridge Gas Fireplaces

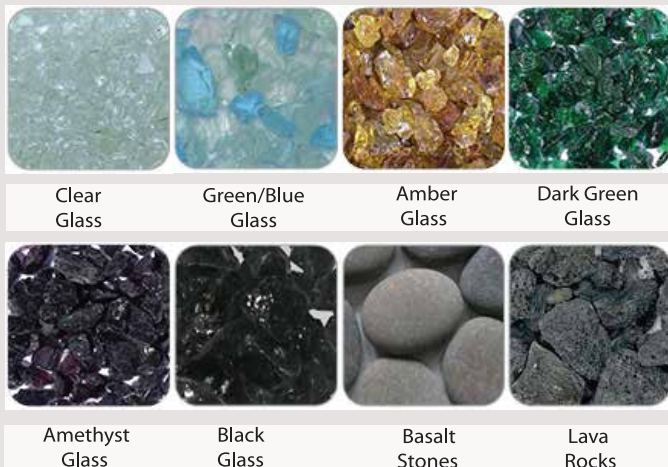
# SS-36-ST, SS-48-ST, SS-60-ST, SS-72-ST

### Standard Features

- \* Can be framed in wooden structure and finished with non-combustible facing materials.
- \* Ceramic glass wind baffles.
- \* High grade 304 stainless steel construction.
- \* Dynamic flame reflection from ember bed and brushed stainless steel chamber.
- \* Stainless steel flex connector and gas shut-off valve.
- \* Electronic ignition system.
- \* Remote control or On/Off wall switch.
- \* Limited Lifetime Warranty on burner and firebox.



### Media options:



	SS-36-ST	SS-48-ST	SS-60-ST	SS-72-ST
A	48"	60"	72"	84"
B	33.75"	29.75"	31.75"	31.75"
C	29.75"	25.75"	25.75"	25.75"
D	36"	48"	60"	72"
E	17.31"	13.75"	13.75"	13.75"

### Specifications

<b>Model:</b>	<b>SS-36-ST</b>	<b>SS-48-ST</b>
Gas Input Rate NG, Btu/h	40,000	60,000
LP, Btu/h	38,000	56,000
	<b>SS-60-ST</b>	<b>SS-72-ST</b>
Gas Input Rate NG, Btu/h	75,000	90,000
LP, Btu/h	75,000	90,000

**Please refer to Owners Manual for installation instructions**



Report # 0401GF006S

**SHOWROOM OPEN TO THE PUBLIC:** Courtneypark Dr. East

1305 Meyerside Dr,  
Mississauga, ON L5T 1C9  
Phone: (905) 564-3001

[www.woodbridgefp.com](http://www.woodbridgefp.com)