

# Outdoor Collection

Woodbridge Gas Fireplaces



**ALGONQUIN**

**ALGONQUIN**  
Outdoor Gas Fireplace

# Outdoor Collection

## Woodbridge Gas Fireplaces

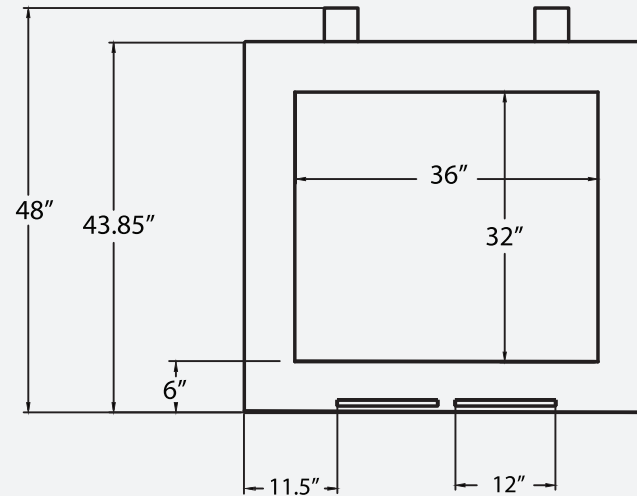


# ALGONQUIN

\* The ALGONQUIN outdoor fireplace will impress you with its large 36" wide by 32" high viewing area surrounded by a 6" border of heavy gauge brushed stainless steel.

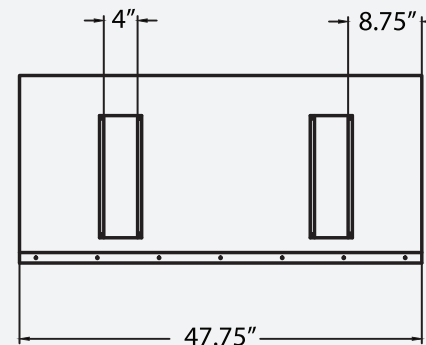
\* The interior features an extremely realistic log set placed on heavy stainless grate over coloured glass ember bed.

\* Turn it on in the evening and you will be captivated by the spectacular reflection of flame that appears on every surface of the ALGONQUIN's interior.

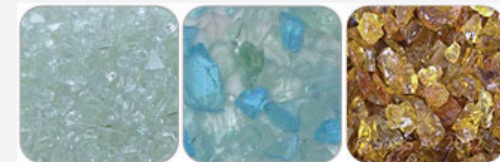


### Standard Features

- \* Gas Input Rate 60,000 Btu/h for Nat. Gas and LP
- \* Can be framed in wooden structure and finished with non-combustible materials.
- \* Extremely realistic 7 piece high temperature cement log set and glass ember bed (see colour options below).
- \* High grade 304 stainless steel construction.
- \* Dynamic flame reflection from ember bed and brushed stainless steel interior.
- \* Stainless steel flex connector and gas shut-off valve.
- \* Electronic ignition system.
- \* Remote control or On/Off switch.
- \* Limited Lifetime Warranty on burner and firebox.



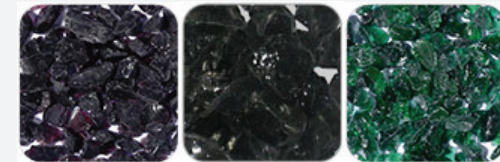
### Burner Media options:



Clear Glass

Green/Blue Glass

Amber Glass



Amethyst Glass

Black Glass

Dark Green Glass

**Please refer to Owners Manual for installation instructions**



Report # 0401GM016S