

www.regency-fire.com



gas fireplace
inserts

why choose Regency?

Beautiful Home Heating Solutions

Regency Fireplace Products was founded over 30 years ago with a mission to produce the finest fireplace products available anywhere. Regency has heating solutions for any room in any home.

Regency Quality

The Regency name means quality in every way. The product is created and built in a world class manufacturing facility focused on getting every detail just right. Represented across North America by a carefully selected professional retail network; you can rely on knowledgeable dealers and installers who understand how to make our products run safely and to the optimum performance.

Exceptional Fire

The essence of each and every Regency fireplace is the unique flame. With its dancing flames and glowing embers, realistic logs or Horizon burners your Regency fire is spectacular.

Custom Styling

By researching current trends and styles we have created tasteful options and accessories that allow you to tailor the look of our fireplace to your home. Sleek and simple or grand and glamorous... the choice is yours.

Cut Home Heating Bills in Half!

Turn down your furnace and zone heat with high efficiency heat just in the rooms you spend time in. This will lower your home heating bills. The entire Regency Gas Fireplace Insert line produces consistent, controllable warmth even during power outages.

Lifetime Warranty

I am so confident in the quality workmanship, the finest materials and durable heavy-duty construction invested in each and every product, that I offer a Limited Lifetime Warranty. The Regency warranty is the best in the industry. We are absolutely sure that you will be as proud of your Regency Gas Fireplace Insert as we are – I guarantee it.



A handwritten signature in black ink that reads "Robert Little". The signature is written in a cursive, flowing style.

Robert Little
Founder & CEO

index

Liberty® Gas Inserts	4
L540EB, L540PB, L390EB, L390PB	
Regency Horizon® Gas Inserts	6
HZI540EB, HZI540PB, HZI390EB, HZI390PB	
Energy Gas Inserts	
E33	8
U31, U32, U32E	10
E21	14
Regency Horizon® & Liberty Gas Fireplace Inserts	
HZI234E	12
L234	13
Design Choices	16
Technical Specs	18



Liberty® Gas Inserts

L540EB/L540PB/L390EB/L390PB



L540EB shown with full screen doors and brick panels.

High Definition Log Set Designed to Radiate More Heat

Regency Liberty™ High Efficiency Inserts offer timeless design combining modern style with a high definition fire package including authentic flames on a bed of glowing embers. Get the most out of your beautiful heater with the standard blower pushing warmth into the furthest corners. Available in both standing pilot and electronic ignition; you choose the best way to save money in your home.

 See it burn
regency-fire.com





L390PB shown with low profile faceplate in black and rustic brown brick panels.



L390EB shown with 4-sided low profile faceplate in black and enamel panels.



L390EB shown with low profile faceplate in sunset bronze and reflective panels.



L390PB shown with arched full screen doors.

Specifications (NG)	L540EB	L540PB	L390EB	L390PB
Input (BTU)	38,000	38,000	31,000	31,000
Turn down to (BTU)	25,000	25,000	22,000	22,000
EnerGuide Rating*	73.72%	73.72%	71.9%	71.9%
Efficiency (steady state)	84%	84%	84%	84%
Min. Fireplace Opening	L540EB	L540PB	L390EB	L390PB
Width (front)	34"	**	30"	**
Width (rear)	25"	**	22"	**
Height	24"	**	20"	**
Depth	16-3/4"	**	15-1/2"	**
View area	540 sq.in.	**	390 sq. in.	**

* For Canada only
 ** For **PB** min. fireplace opening measurements see page 18.
 For detailed specifications please see pages 18-19.

Standard Features

- Natural gas
- Flush front with ceramic safety glass
- Ceramic log set molded from real wood
- Ceramic burner with built-in glowing ember bed
- Electronic ignition with SureFire™ switch (L390EB, L540EB) or standing pilot system (L390PB & L540PB)
- Proflame GTMF Remote Controls (L390EB & L540EB)
- Variable speed blower
- Heat exchanger for maximized efficiencies
- 30° angled flue (for versatile installations)
- Easy access controls
- Direct vent

Optional Features

- Low profile faceplates in two sizes
- Customizable backing plate (3 or 4 sided)
- Full screen doors (different designs and finishes)
- Removable mesh glass guard
- Brick panels
- Enamel reflective panels
- Programmable wall thermostat
- Proflame GT, GTM, GTMF (L390PB & L540PB)
- Regency flex venting
- Propane conversion kit
- Hearth trims in 2" or 4" (black, low profile faceplate only)

Regency Horizon® Gas Inserts


HZI540EB/HZI540PB/HZI390EB/HZI390PB



Regency Horizon HZI540EB shown with low profile faceplate in black and copper crystals.

High-Efficiency Heating in a Modern Insert

These contemporary inserts feature a vibrant flame dancing on a full, continuous bed of glass crystals. The large ceramic glass maximizes the radiant heat output while providing an impressive fire view framed by a sleek, low profile faceplate. Several style designs available in 3 tasteful colors complements any modern living space. Finally, electronic ignition or standing pilot offers cost saving options for optimum performance.

 See it burn
regency-fire.com





HZI390EB shown with low profile faceplate and black crystals.



HZI390EB shown with low profile faceplate in sunset bronze and copper crystals.



HZI390EB shown with 4-sided low profile faceplate in black, reflective panels and blue crystals.



HZI540PB shown with regular faceplate in black and volcanic stones.

Specifications (NG)	HZI540EB	HZI540PB	HZI390EB	HZI390PB
Input (BTU)	38,000	38,000	31,000	31,000
Turn down to (BTU)	25,000	25,000	22,000	22,000
EnerGuide Rating*	73.72%	73.72%	66.10%	66.10%
Efficiency (steady state)	84%	84%	84%	84%
Min. Fireplace Opening	HZI540EB	HZI540PB	HZI390EB	HZI390PB
Width (front)	34"	**	30"	**
Width (rear)	25"	**	22"	**
Height	24"	**	20"	**
Depth	16-3/4"	**	15-1/2"	**
View area	540 sq.in.	**	390 sq. in.	**

* For Canada only
 ** For **PB** min. fireplace opening measurements see page 18.
 For detailed specifications please see pages 18-19.

Standard Features

- Natural gas
- Flush front with ceramic safety glass
- Linear burner (glass crystals required)
- Electronic ignition with SureFire™ switch (HZI390EB & HZI540EB) or standing pilot system (HZI390PB & HZI540PB)
- Proflame GTMF Remote Controls (HZI390EB & HZI540EB)
- Variable speed blower
- Heat exchanger for maximized efficiencies
- 30° angled flue (for versatile installations)
- Easy access controls
- Direct vent

Optional Features

- Crystals in various colours
- Ceramic spa stones & volcanic stones
- Low profile faceplates in two sizes
- Customizable backing plate (3 or 4 sided)
- Full screen doors (different designs and finishes)
- Removable mesh glass guard
- Enamel reflective panels
- Programmable wall thermostat
- Proflame GT, GTM, GTMF remote (HZI390PB, HZI540PB)
- Regency flex venting
- Propane conversion kit
- Hearth trims in 2" or 4" (black, low profile faceplate only)


Energy Large Gas Insert E33



Regency E33 gas insert featuring black louvers, brick panels and contour faceplate

Turns Your Drafty Fireplace Into an Attractive Heat Source

With 38,000 BTU of comforting, controllable heat and a full, yellow fire, this insert is guaranteed to warm your room quickly and consistently. This Direct Vent Gas Insert is perfect for airtight homes or basements because the sealed firebox doesn't use internal air. All Regency gas inserts can be enjoyed from the comfort of your sofa with the Regency remote control or wall thermostat.

 See it burn
regency-fire.com





Shown with Excalibur surround, double doors and accent kit.



Shown with black full screen doors and brick panels.



Shown with Excalibur surround and brick panels.



E33 fire package with platinum bright embers.

Specifications	Natural Gas	Propane
Input (BTU)	38,000	35,500
Turn down to (BTU)	20,000	19,000
EnerGuide Rating*	60.79%	61.52%
Efficiency (steady state)	83%	84%

Min. Fireplace Opening / Faceplate	Low profile/ Contour/ Full screen doors	Excalibur
	Width (front)	32-1/4"
Width (rear)	25"	25"
Height	24-3/16"	26"
Depth	16-3/4"	17-3/4"

* For Canada only
For detailed specifications please see pages 18-19.

Standard Features

- Natural gas
- Beautiful fire with glowing logs, platinum bright embers & Embaglow embers
- Flame height adjustment control with 50% turn down
- Flush front with ceramic safety glass
- Easy access controls
- Variable speed blower
- 30° angled flue for versatile installations
- Direct vent

Optional Features

- Low profile faceplates
- Excalibur surround, double doors & accent kits
- Contour faceplate
- Louvers
- Full screen doors
- Brick panels
- Hearth trims - various sizes
- FireGenie® remote control
- Wall thermostat
- Regency flex venting
- Propane conversion kit

Energy Medium Gas Inserts

U31/U32/U32E



Regency U31 gas insert shown with brick panels and low profile faceplate.

Customize to Suit Your Style

This Regency insert is a complete fireplace system that can turn your existing wood fireplace into a high efficiency, clean burning gas heater. Choose from several faceplates, designer fronts (including Excalibur arched surrounds), many finishes, brick panels and so much more! Enjoy peace of mind even during power outages; all Regency gas inserts operate without electricity.

 See it burn
regency-fire.com





U32 shown with brick panels and low profile faceplate.



U32 shown with black louvers, brick panels, and contour faceplate.



U31 shown with full screen door in black and brick panels.



U31 shown with Excalibur surround.

Specifications (NG)	U32	U32E	U31
Input (BTU)	30,000	30,000	30,000
Turn down to (BTU)	15,300	19,500	20,600
EnerGuide Rating*	57.17%	58.04%	52.9%
Efficiency (steady state)	76%	76%	76%

Min. Fireplace Opening	U32/U32E	U31
Width (front)	26-1/2"	26-1/2"
Width (rear)	22-1/2"	22-1/2"
Height	22"	21"
Depth	14"	15"

* For Canada only

For detailed specifications please see pages 18-19.

Standard Features

- Natural gas
- Beautiful fire with glowing logs, platinum bright embers, fire grate & Embaglow embers
- Flame height adjustment control
- Flush front with ceramic safety glass
- Easy access controls
- Variable speed blower
- Direct Vent (U32/U32E)
- B Vent (U31)
- Standing pilot system (U31/U32)
- Electronic ignition with Surefire switch (U32E)

Optional Features

- Low profile faceplates
- Excalibur surround, double doors & accent kits (U31)
- Contour faceplate
- Louvers
- Full screen doors
- Brick panels
- Hearth trims - various sizes
- FireGenie® remote control (U31/U32)
- Proflame GT, GTM remote control (U32E)
- Wall thermostat
- New fireplace kit (U31 only)
- Regency flex venting
- Propane conversion kit

Regency Small Gas Inserts


Regency Horizon® HZI234E & Liberty® L234



Regency Horizon® HZI234E gas insert featuring a contour faceplate, and black glass crystals.

Compact Size for Tighter Openings

A clean front fireplace insert that will slide easily into your dated, drafty steel fireplace and transform it to a high efficiency heater in minutes. Available in two distinct styles: traditional realistic logs (L234) and contemporary linear burner (HZI234E). Customizable accessories and a limited lifetime warranty are just a few more reasons you will choose a high quality Regency fireplace insert!

 See it burn
regency-fire.com





L234 shown with contour faceplate, hearth riser and brick panels.



L234 shown with contemporary faceplate, hearth riser, backing plate and brick panels.



L234 shown with contour faceplate, hearth riser, backing plate and brick panels.



HZI234E shown with low profile faceplate and copper crystals.

Specifications (NG)	L234	HZI234E
Input (BTU)	23,500	16,500
Turn down to (BTU)	12,500	12,000
EnerGuide Rating*	63.3%	68.24%
Efficiency (steady state)	74%	74%
Min. Fireplace Opening	L234	HZI234E
Width (front)	25"	25"
Width (rear)	16"	16"
Height	17"	17"
Depth	14"	14"

* For Canada only

For detailed specifications please see pages 18-19.

Standard Features

- Natural gas
- Standing pilot with direct spark ignition (L234)
- Electronic ignition with Surefire™ switch (HZI234E)
- Flush front with ceramic safety glass
- Realistic logs with beautiful flames, platinum bright embers & Embaglow embers (L234)
- Linear burner (glass crystals required) (HZI234E)
- 30° angled flue (for versatile installation)
- Clean front 234 sq. in. viewing area
- Variable speed blower
- Easy access controls
- Flame height adjustment
- Direct vent

Optional Features

- Contemporary or contour faceplate
- Low profile faceplates
- Customizable backing plate
- Adjustable hearth riser
- Brick panels (L234)
- Reflective inner panels (HZI234E)
- Crystals in various colours (HZI234E)
- Ceramic spa stones (HZI234E)
- Natural river pebbles (HZI234E)
- FireGenie® remote (L234)
- Proflame GT/GTM remote control (HZI234E)
- Wall thermostat
- Regency flex venting
- 3" to 2" air intake reducer
- Propane conversion kit

Energy Small Gas Insert E21



Energy E21 Gas Insert featuring flush front, contour faceplate, brushed steel louvers and standard brick panels.

Designed to Fit Almost Anywhere

If you have a smaller fireplace opening or want to heat a smaller living space, you don't have to sacrifice a beautiful fire and high efficiency. The E21 Energy Gas Insert has been designed to fit almost anywhere – including bedrooms and alcoves. Enjoy consistent, controllable, convenient heat at the flick of a switch.

Standard Features

- Natural Gas
- Beautiful fire with glowing logs, platinum bright embers & Embaglow embers
- Flame height adjustment control with 50% turn down
- Flush front with ceramic safety glass
- Easy access controls
- Variable speed blower
- B Vent

Optional Features

- Low profile faceplate
- Contour faceplate
- Louvers
- Full screen doors
- Brick panels
- Hearth trims - various sizes
- FireGenie® remote control
- Wall thermostat
- New fireplace kit
- Regency flex venting
- Propane conversion kit

Specifications	Natural Gas	Propane
Input (BTU)	23,500	22,500
Turn down to (BTU)	11,750	11,250
EnerGuide Rating*	60.60%	53.48%
Efficiency (steady state)	77%	78%

Minimum Fireplace Opening	
Width (front)	26-1/2"
Width (rear)	18"
Height	17-3/4"
Depth	14"

* for Canada only

For detailed specifications please see pages 21-22.



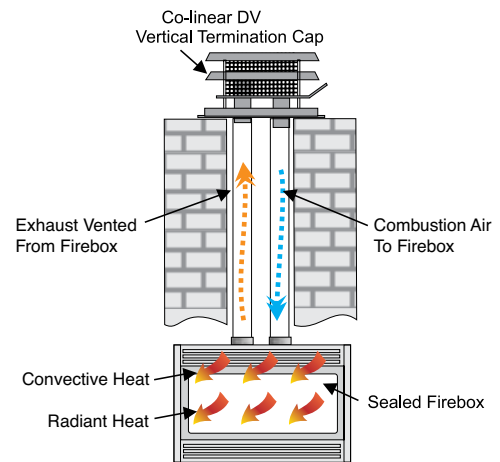
Maximizing Comfort and Efficiency

Regency Fireplace Inserts deliver controllable heat solutions combining the latest in radiant/convection heat technology and innovative features.

- ☑ Adjustable flame/heat control
- ☑ Heat radiating ceramic glass for maximum radiant heat
- ☑ **SureFire™ Electronic Ignition** switch with battery backup features a fuel saving intermittent pilot ignition conserving energy when not in use.
- ☑ **Standing pilot** (390 & 540 models) In some climates where warming the flue aids optimum performance a standing pilot is an option on the 390/540 insert.
- ☑ **Power's Out, Heat's On.** Never worry about being cold in a power outage again! All Regency gas fireplaces operate without electricity. Enjoy peace of mind all winter long.

SureFire™ Electronic Ignition

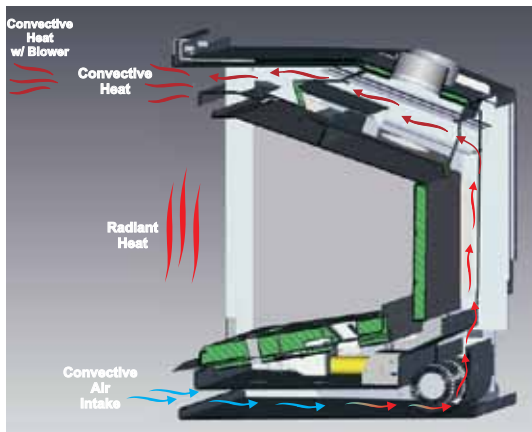
The SureFire system offers an electronic ignition system which saves you money by ensuring the pilot light is only turned on when the fireplace needs to be ignited. This Electronic Ignition System converts to Standing Pilot at the flick of a switch; making it ideal during the winter season if you live in a colder climate.



Direct Vent Technology

A Regency® Gas Insert is a specially engineered, sealed fireplace that slips into your existing masonry or pre-fab fireplace to create a high efficiency heating system with a beautiful fire. The airtight firebox means that you will keep all of the comforting heat generated from your Regency inside your home. Even when your fireplace is turned off, you will not lose heat up the chimney.

All the air used by the fireplace for combustion comes from outside the home and is vented to outside the home maintaining indoor air quality.



Blower

Spread the warmth

Extreme Efficiency

The precision engineered heat exchanger systems dramatically increase the overall heating efficiency of these Regency gas inserts. The cold air from your room passes through the pre-heated heat exchanger system which is then re-distributed back into your room as comforting warm air (also known as convection heat).

Intense Radiant Heat

Not only do these gas inserts include the latest innovations in fireplace technology and efficiencies, they also generate a large amount of radiant heat from the flames and glow of the Fire Package. The heat from the fire radiates through the ceramic glass and transfers that warmth to you, providing the perfect combination of radiant and convective heat distribution.

Variable Speed Blower to Maximize Efficiency

Adding a Regency blower will let you enjoy the warmth of your fireplace from any corner of your living space. Our quiet blowers increase the efficiency of your fireplace by pushing the heat produced by your fireplace forward and distributing it further and evenly into the room.

design choices

Faceplate Finishes



Sunset Bronze

Iron Gray

Black

Louvers



Gold

Brushed Steel

Black

Inner Panels



Standard - Old Town Red

Standard - Rustic Brown

Black Enamel panels

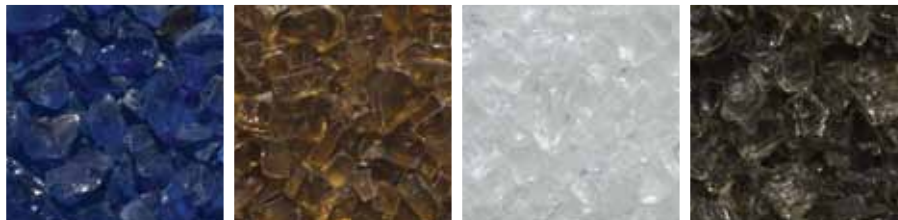
Full Screen Door Finishes



Black

Excalibur - Black

Firebed Options



Cobalt blue crystals

Copper crystals

Starfire crystals

Black reflective crystals



Volcanic stones - Gray

Volcanic stones - Tan

Ceramic spa stones

Accent Pebbles



Natural river pebbles

comfort controls

Create optimal comfort with ease and convenience at the touch of a button with a Regency Comfort Control System. Our user friendly programmable controls can be set, adjusted and programmed for your fireplace to come on at the temperature you want when you want it.

Feature	Description	FireGenie Remote	Proflame Remotes			Programmable Thermostat
			GT	GTM	GTMF	
On/Off		✓	✓	✓	✓	✓
Child lock		-	✓	✓	✓	-
LCD Backlit Screen		✓	✓	✓	✓	✓
Clock		✓	-	-	-	✓
Temperature display	°F / °C	✓	✓	✓	✓	✓
Thermostat	one setting (all days)	✓	✓	✓	✓	✓
	5-day day weekday & 2-day weekend	✓	-	-	-	✓
Smart thermostat*		-	✓	✓	✓	-
Flame adjustment	(6 levels)	-	-	✓	✓	-
Fan control**	(6 levels)	-	-	-	✓	-

* Smart Thermostat - Rather than a thermostat that simply turns your fireplace on and off, the Smart Control function allows you to set your desired room temperature and as the room reaches your personal setting the flame intensity and heat will gradually decrease – keeping the ambiance of your Regency fire on with less heat output with the option to turn off at any time.

** For models that have a blower.

Accessories - at a glance		HZI540EB/ HZI390EB	L540EB/ L390EB	E33	HZI540PB/ HZI390PB	L540PB/ L390PB	U32	U32E	U31	E21	L234	HZI234E
Horizon firebed	Crystals- various colors		★	-	-	★	-	-	-	-	-	★
	Ceramic spa stones		★	-	-	★	-	-	-	-	-	★
	Volcanic stones		★	-	-	★	-	-	-	-	-	-
Horizon look	Faceplates	Low profile (3 or 4 sided) ¹	★	-	-	★	-	-	-	-	-	★
		Contemporary	-	-	-	-	-	-	-	-	-	★
		Contour	-	-	-	-	-	-	-	-	-	★
		Regular	★	★	-	★	★	-	-	-	-	-
Classic look	Faceplates	Low profile (3 or 4 sided)	-	★	★	-	★	★	★	★	★	-
		Contemporary	-	-	★	-	-	★	★	-	-	★
		Contour	-	-	★	-	-	★	★	★	★	★
		Custom	-	-	★	-	-	★	★	★	★	-
		Regular	-	★	-	-	★	-	-	-	-	-
	Louvers	Black	-	-	★	-	-	★	★	★	★	-
		Black/Brushed Steel	-	-	★	-	-	★	★	★	★	-
		Black/Gold	-	-	★	-	-	★	★	★	★	-
Excalibur Arch Surrounds	Surround	Black	-	-	★	-	-	-	★	-	-	
	Double screen doors	Black	-	-	★	-	-	-	★	-	-	
	Accent kit	Nickel	-	-	★	-	-	-	★	-	-	
		Gold	-	-	★	-	-	-	★	-	-	
Full Screen Doors	Regular	Black	★	★	★	★	★	★	★	★	-	
	Arched	Black	★	★	-	★	★	-	-	-	-	
Inner Panels	Bricks	Standard - Rustic Brown	-	★	★	-	★	★	★	★	★	-
		Standard - Old Town Red	-	★	★	-	★	★	★	★	★	-
	Reflective	Black enamel	★	★	-	★	★	-	-	-	-	★
Removable mesh glass guard		★	★	-	★	★	-	-	★	-	-	★
Hearth Trim (for sizes see page 19)		★	★	★	★	★	★	★	★	★	★	★
New Fireplace Kit (zero clearance kit)		-	-	-	-	-	-	-	★	★	-	-
Variable speed blower		✓	✓	✓	✓	✓	✓	✓	✓	✓	✓	✓
Wall Thermostat		★	★	★	★	★	★	★	★	★	★	★
Remote Controls	FireGenie™	-	-	★	-	-	★	-	★	★	★	-
	Proflame GT	-	-	-	★	★	-	★	-	-	-	★
	Proflame GTM	-	-	-	★	★	-	★	-	-	-	★
	Proflame GTMF	✓	✓	-	★	★	-	-	-	-	-	-
Turn down flame modulator (for use with Proflame GTM/GTMF remotes)		✓	✓	-	★	★	-	★	-	-	-	★
Faceplate Mounted on/off Switch		✓	✓	✓	✓	✓	✓	✓	✓	✓	✓	✓
Direct Vent		✓	✓	✓	✓	✓	✓	✓	-	-	✓	✓
B-Vent		-	-	-	-	-	-	-	✓	✓	-	-
Surefire Electronic Ignition		✓	✓	-	-	-	-	✓	-	-	-	✓
Propane conversion kit		★	★	★	★	★	★	★	★	★	★	★

- Not available
- ✓ Standard
- ★ Optional

¹ 4-sided low profile faceplates are custom order



Proflame Remote Control



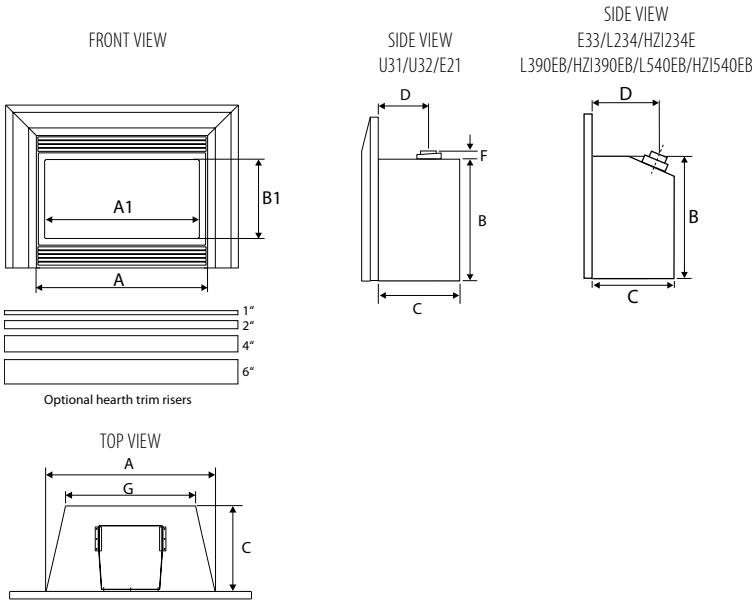
FireGenie Remote Control



Thermostat

specifications

Specifications		HZ1540EB	HZ1540PB	L540EB	L540PB	E33	HZ1390EB	HZ1390PB	L390EB	L390PB	U32	U32E	U31	E21	L234	HZ1234E
Input (BTU)	Natural Gas	38,000	38,000	38,000	38,000	38,000	31,000	31,000	31,000	31,000	30,000	30,000	30,000	23,500	23,500	16,500
	Propane	38,000	38,000	38,000	38,000	35,500	31,000	31,000	31,000	31,000	30,000	27,000	28,000	22,500	21,500	15,000
Turn Down to (BTU)	Natural Gas	25,000	25,000	25,000	25,000	20,000	22,000	22,000	22,000	22,000	15,300	19,500	20,600	11,750	12,500	12,000
	Propane	30,000	30,000	30,000	30,000	19,000	26,000	26,000	26,000	26,000	15,000	22,000	22,000	11,250	11,000	12,000
EnerGuide Rating (Canada only)	Natural Gas	73.72%	73.72%	73.72%	73.72%	60.79%	66.10%	66.10%	71.9%	71.9%	57.17%	58.04%	52.9%	50.60%	63.3%	68.24%
	Propane	75.69%	75.69%	75.69%	75.69%	61.52%	70.1%	70.1%	75.3%	75.3%	57.17%	58.24%	48.07%	53.48%	64.5%	69.07%
Efficiency (steady state)	Natural Gas	84%	84%	84%	84%	83%	84%	84%	84%	84%	76%	76%	76%	77%	74%	74%
	Propane	84%	84%	84%	84%	84%	84%	84%	84%	84%	77%	77%	77%	78%	74%	74%



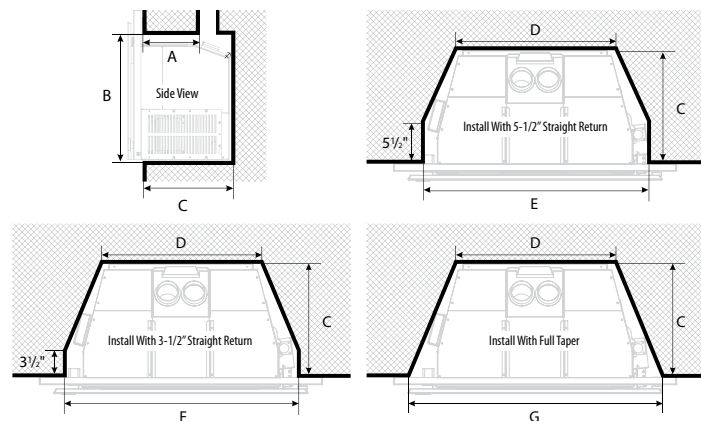
Dimensions	A	B	A1	B1	C	D	F	G
HZ1540EB	33-11/16"	23-5/8"	28-13/16"	18-15/16"	16-3/4"	12"	-	24-5/8"
HZ1540PB	38-11/16"	23-5/8"	28-3/16"	18-5/16"	17-1/4"	12-1/4"	-	26"
L540EB	33-11/16"	23-5/8"	28-13/16"	18-15/16"	16-3/4"	12"	-	24-5/8"
L540PB	38-11/16"	23-5/8"	28-3/16"	18-5/16"	17-1/4"	12-1/4"	-	26"
E33	32-1/4"	23-13/16"	30-3/8"	14-7/8"	16-1/2"	11-3/8"	-	24-1/2"
HZ1390EB	29-5/8"	20"	24-1/8"	14-3/4"	15-1/2"	12-1/8"	-	21-5/8"
HZ1390PB	32"	20"	24-1/8"	14-7/8"	16"	-	-	21-5/8"
L390EB	29-5/8"	20"	24-1/8"	14-3/4"	15-1/2"	12-1/8"	-	21-5/8"
L390PB	32"	20"	24-1/8"	14-7/8"	16"	-	-	21-5/8"
U32	28"	20"	24-1/4"	11-3/8"	13-3/4"	10-3/4"	1-1/16"	22-1/2"
U32E	28"	20"	24-1/4"	11-3/8"	13-3/4"	10-3/4"	1-1/16"	22-1/2"
U31	27-7/8"	20-1/4"	24-1/2"	12-5/8"	13-1/2"	11-3/4"	5/8"	22-1/2"
E21	26"	17-1/2"	24-1/2"	10-7/8"	13-1/4"	10-3/4"	1"	17-1/2"
L234	24-3/4"	16-7/8"	17-3/4"	12-1/2"	13"	11-3/4"	-	14-3/4"
HZ1234E	24-3/4"	16-7/8"	17-3/4"	12-1/2"	12-1/4"	10-7/8"	-	14-3/4"

Minimum Fireplace Openings (PB models only)	Max Lentil Bar Depth	Height	Install with 5-1/2" Straight Return					Install with 3-1/2" Straight Return		Install with Full Taper	
			Overall Depth	Width (rear)	Width (front)	Width (front)	Width (front)	Width (front)	Width (front)		
			A	B	C	D	E	F	G		
HZ1540PB	10"	24"	17-1/4"	26"	36"	36"	38-11/16"				
L540PB	10"	24"	17-1/4"	26"	36"	36"	38-11/16"				
HZ1390PB	10"	20"	16-1/8"	22"	32"	33"	36"				
L390PB	10"	20"	16-1/8"	22"	32"	33"	36"				

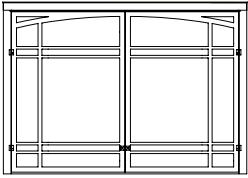
Minimum Fireplace Openings		Width (front)	Width (rear)	Height	Depth
HZ1540EB	low profile faceplate	34"	25"	24"	16-3/4"
	full screen doors	34"	25"	24"	16-3/4"
L540EB	low profile faceplate	34"	25"	24"	16-3/4"
	full screen doors	34"	25"	24"	16-3/4"
E33	low profile faceplate	32-1/4"	25"	24-3/16"	16-3/4"
	contour faceplate	32-1/4"	25"	24-3/16"	16-3/4"
	full screen doors	32-1/4"	25"	24-3/16"	16-3/4"
	Excalibur surround	34-1/2"	25"	26"	17-3/4"
HZ1390EB	low profile faceplate	30"	22"	20"	15-1/2"
	full screen doors	30"	22"	20"	15-1/2"
L390EB	low profile faceplate	30"	22"	20"	15-1/2"
	full screen doors	30"	22"	20"	15-1/2"
U32/U32E	low profile faceplate	26-1/2"	22-1/2"	22"	14"
	contour faceplate	26-1/2"	22-1/2"	22"	14"
	full screen doors	26-1/2"	22-1/2"	22"	14"
U31	low profile faceplate	26-1/2"	22-1/2"	22"	14"
	contour faceplate	26-1/2"	22-1/2"	21"	15"
	molded faceplate	29"	22-1/2"	21"	16"
	full screen doors	26-1/2"	22-1/2"	21"	15"
E21	contour faceplate	26-1/2"	18"	17-3/4"	14"
	low profile faceplate	29-1/8"	18"	18-5/8"	17"
L234	contemporary faceplate	25"	16"	17"	14"
	contour faceplate	25"	16"	17"	14"
	low profile faceplate	25"	16"	17"	14"
HZ1234E	contemporary faceplate	25"	16"	17"	14"
	contour faceplate	25"	16"	17"	14"
	low profile faceplate	25"	16"	17"	14"

Minimum Fireplace Openings (PB models only)

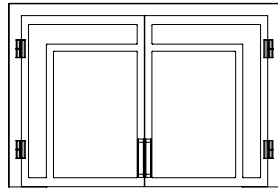
TOP & SIDE VIEW: HZ1540PB / L540PB / HZ1390PB / L390PB



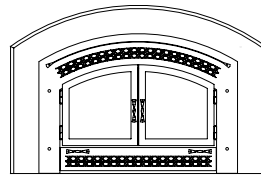
Full Screen Doors



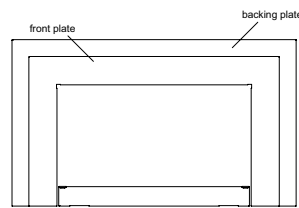
Full Screen Doors
(L390E/HZI390E/L540E/HZI540E)



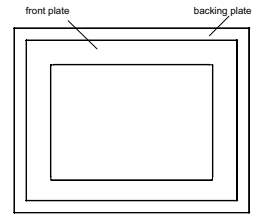
Excalibur Surround



Low profile faceplate



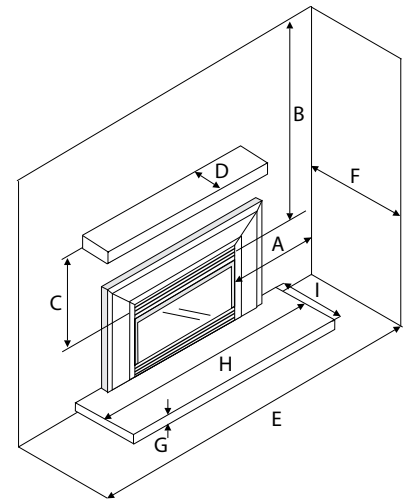
Low profile faceplate (4-sided)



Faceplates		HZI540E/L540E		HZI540PB/L540PB		E33		HZI390E/L390E		HZI390PB/L390PB		U32/U32E		U31		E21		L234/HZI234E		
		Width	Height	Width	Height	Width	Height	Width	Height	Width	Height	Width	Height	Width	Height	Width	Height	Width	Height	
Low profile (3-sided)	front plate	39-7/8"	27-3/8"	39-13/16"	27-3/8"	42-1/2"	26-3/4"	35-13/16"	23-13/16"	35-13/16"	25-3/4"	36"	21-1/2"	36"	22"	35-3/8"	20"	29-1/8"	21"	
	backing plate	45-1/2"	30-1/4"	45-1/2"	30-1/4"	46-1/2"	28-3/4"	39-15/16"	25-13/16"	39-15/16"	25-13/16"	40-3/4"	23-7/8"	40-3/4"	23-7/8"	40-1/8"	22-11/16"	32-7/8"	22-7/8"	
Low profile (3-sided oversize)	front plate	39-7/8"	27-3/8"	39-13/16"	27-3/8"	--	--	35-7/8"	23-3/4"	35-7/8"	23-3/4"	--	--	--	--	--	--	--	--	
	backing plate	46"	33"	46"	33"	--	--	44"	30"	44"	30"	--	--	--	--	--	--	--	--	
Low profile (4-sided)	front plate	40-3/8"	30-7/8"	40-3/8"	30-7/8"	42-1/2"	32-1/2"	35-13/16"	27-5/16"	35-13/16"	27-5/16"	36"	26"	36"	26"	36-1/4"	24-1/4"	29-1/8"	26-1/2"	
	backing plate	custom order only																		
Contemporary		--	--	--	--	--	--	--	--	--	--	--	--	--	--	--	--	--	27-3/4"	21"
Contour Standard		--	--	--	--	45-9/16"	31-1/8"	--	--	--	--	40-1/8"	26-1/8"	40-1/8"	26-1/8"	40-1/8"	23-3/4"	27-1/2"	20-3/4"	
Contour Oversize		--	--	--	--	49-9/16"	33-1/8"	--	--	--	--	44-1/8"	28-1/8"	44-1/8"	28-1/8"	44-1/8"	25-3/4"	--	--	
Custom Flat		--	--	--	--	custom order only		--	--	--	--	48"	34"	48"	34"	48"	32"	--	--	
Hearth Trim - sizes		1" 2" 4" 6" for contour faceplate 2", 4" for contemporary faceplate 2", 4" for low profile faceplate (L390EB/HZI390EB/L540PB/HZI540PB) - use custom backing plate on all other models. up to 9" for L234 contemporary or contour																		
Excalibur surround		--	--	--	--	45-9/16"	33-1/4"	--	--	--	--	--	--	40-1/8"	27-7/8"	--	--	--	--	
Full screen doors*		45-1/2"	30-1/4"	45-1/2"	30-1/4"	47-3/8"	33-3/16"	38-1/8"	25-3/4"	38-1/8"	25-3/4"	41-5/8"	29-1/4"	41-5/8"	29-1/4"	41-9/16"	29-1/4"	--	--	

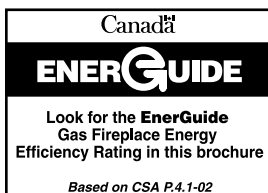
* depth = 2"

Minimum Clearance to Combustibles		HZI540EB / L540EB	HZI540PB / L540PB	E33	HZI390EB / L390EB	HZI390PB / L390PB	U31/32/32E	E21	L234	HZI234E
A	Side Wall	12"	12"	8"	6"	6"	10"	9"	8"	8"
B	Ceiling	46"	46"	47"	45"	45"	47-1/2"	36"	56"	56"
C	Mantel Height (min.)	16"	16"	15"	15"	15"	13"	14"	21"	15-1/2"
	(with optional deflector)	12"	12"	N/A	12"	12"	N/A	N/A	N/A	N/A
D	Mantel Depth (min.)	2"	2"	3-1/2"	1"	1"	3-1/2"	3-1/2"	1"	1"
	(with optional deflector)	1"	1"	N/A	1"	1"	N/A	N/A	N/A	N/A
E	Alcove Width	56"	56"	76"	54"	54"	48"	48"	60"	60"
F	Max. Alcove Depth	36"	36"	36"	36"	36"	36"	36"	36"	36"



Non-Combustible Hearth Requirement										
G	Hearth Height	1-3/8"	1-3/8"	1-1/4"	0"	0"	0"	0"	1-1/2"	0"
H	Hearth Width	44"	44"	45-1/2"	40"	40"	0"	0"	28"	0"
I	Hearth Depth	14"	14"	13"	14"	14"	0"	0"	12"	0"

Note: Before installing please refer to the product manual.



NOTE: All product specifications are subject to change without notice. Before installing refer to the relevant product manual for full and up to date information.

You deserve a fireplace makeover

BEFORE



Problem:

- ◆ I have a drafty wood or gas fireplace.
- ◆ I have inefficient gas logs.
- ◆ I need an updated fireplace style.

AFTER



Solution:

- ◆ Choose the gas fireplace insert that fits your opening and install.
- ◆ Voila! Updated fire, updated fireplace style, and much lower heating bill.

fireplace selection worksheet

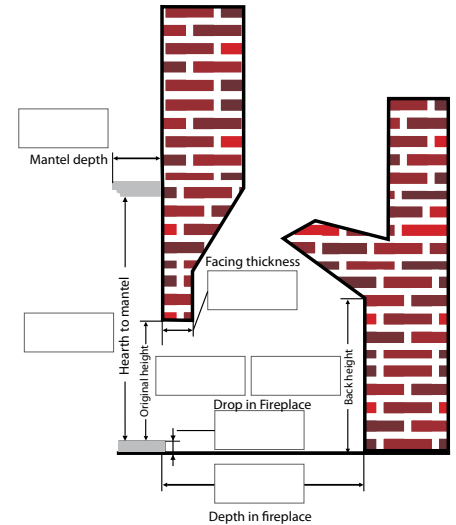
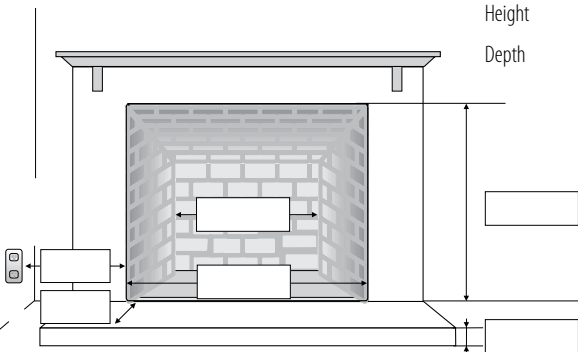
We want you to enjoy your beautiful Regency fireplace for years to come. To help you figure out which product is just right for your home, fill in the following worksheet. Once complete, visit your nearest Regency dealer. Your professional Regency dealer will assess your needs - including local building codes - and install your Regency.

1. BASIC PRODUCT FUNCTION QUESTIONS

- | | | |
|--|---|---|
| a. I would like my insert to provide me with: | <input type="checkbox"/> Supplemental heating | <input type="checkbox"/> Priority heating |
| b. The room/rooms I would like to heat are: | _____ Square feet | |
| c. My fuel source will be: | <input type="checkbox"/> Natural gas | <input type="checkbox"/> Propane |
| Has gas been piped to the proposed fireplace area? | <input type="checkbox"/> Yes | <input type="checkbox"/> No |

2. FIREPLACE PRODUCT TYPE AND MEASUREMENTS

- a. I am:
- Installing a new fireplace
 - Installing into an existing fireplace
- b. Fill in the following measurements:
- Ceiling Height: _____
- Location in the room: _____
- Flooring material: _____
- Wall material: _____
- Ceiling material: _____
- c. What is the:
- Width (front) _____
- Width (back) _____
- Height _____
- d. Fireplace opening dimensions
- Depth _____



www.regency-fire.com

your regency dealer

