



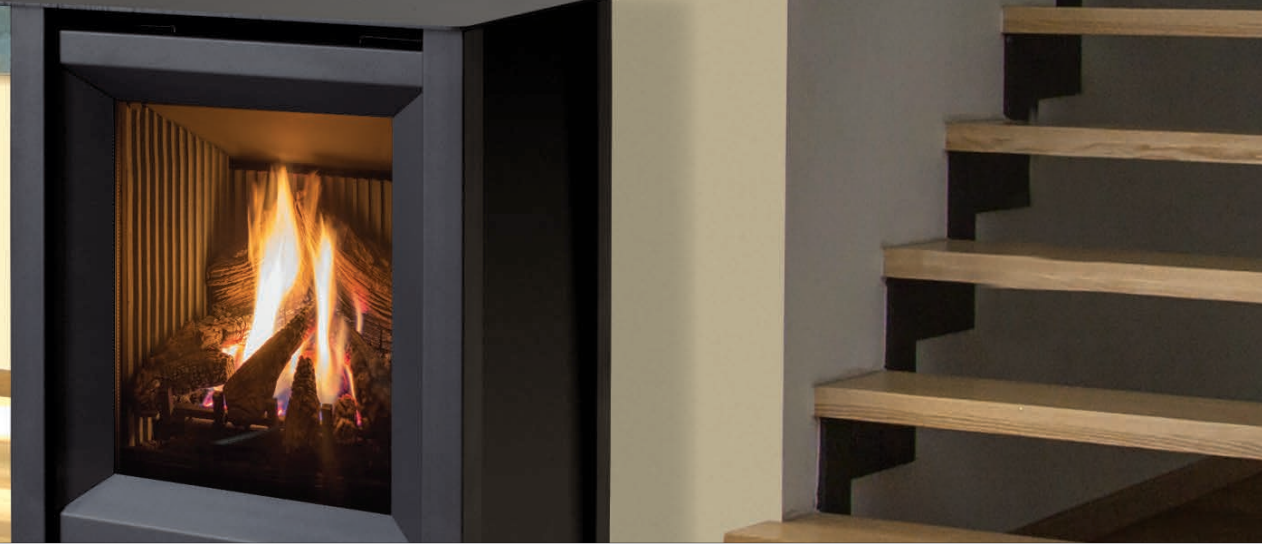
S20

FREESTANDING GAS STOVE



S20

FREESTANDING GAS STOVE



Gas Stove Details

BTU Input	20,000 BTU's
Area Heated*	1,100 ft ²
Turn Down	50%
EnerGuide FE Rating	74.5%
Venting	Top / Rear
Glass Size	310 in ²
Fuel Compatibility	NG & LP

* Efficiency and area heated will vary according to gas type and venting. Approved for sale in Canada and the United States.

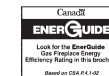
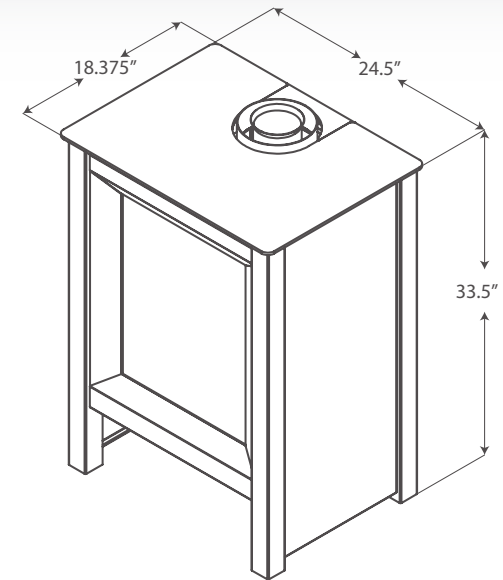
Clearance to Combustables

Min. distance to the sides of the unit	8"
Min. distance to non-combustible surface behind	4"
Min. distance to non-combustible surface above	12"

Please see owner's manual for more information

Gas Stove Details

- Nova and IPI editions
- Field conversion kit NG to LP
- Thermostat or remote compatible
- Ceramic logset
- NEW Charcoal fluted liner
- Top vent / rear vent convertible
- Heavy duty heat exchanger
- Easy access controls
- 150 CFM variable speed fan
- Clear View Safety Screen



Manufactured by Sherwood Industries Ltd ▪ Victoria, BC, Canada
enviro.com ▪ info@enviro.com ▪ Printed in Canada, January 2016