

SC1600L/VL



- Single-stage heat
- For gas, oil and hydronic systems
- Millivolt compatible
- No fan output

Specifications

Electrical Rating:

- 24 VAC (18-30 VAC)
- 1 amp maximum per terminal
- 1 amp maximum total load
- Easy access terminal block

Temperature Control Ranges:

- 45°F to 90°F, Accuracy: ±1°F

System Configurations:

- Single-stage heat, gas, oil and hydronic

Terminations:

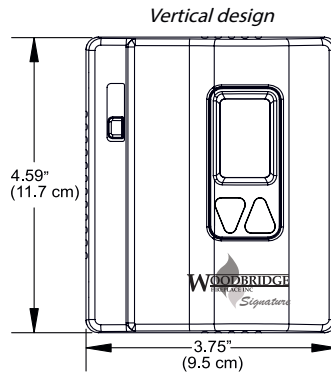
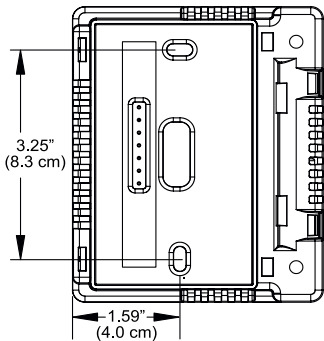
- SC1600L/VL: R, W, S1, S2



Non-Programmable, Heat Only Thermostat

Vertical Wall Mount

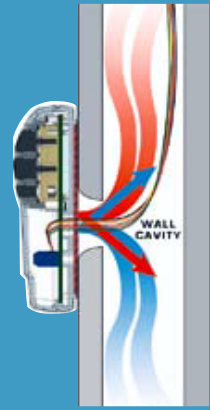
Dimensions



Specifications subject to change without notice.

NEW Thermal Intrusion Barrier

Exclusive, patented insulation technology eliminates thermal drift caused by wall effect.



Innovation and technology that simplifies installation and increases profitability!

- ICM's patented Thermal Intrusion Barrier

- Large display with backlight
- Permanent memory
- Auto or manual changeover
- Field adjustable calibration
- Configurable remote sensor compatible
- Keypad lockout
- Soft-touch controls