



THE WESTPORT
FREESTANDING GAS STOVE





THE WESTPORT

FREESTANDING GAS STOVE

Gas Stove Details

Maximum BTU Input	30,000 BTU
Minimum BTU Input*	9,000 BTU
Area Heated**	1700 ft ²
Steady State Efficiency	71%
EnerGuide FE Rating	60%
Finish Options	Painted Black – Matte Antique Chestnut – Enamel

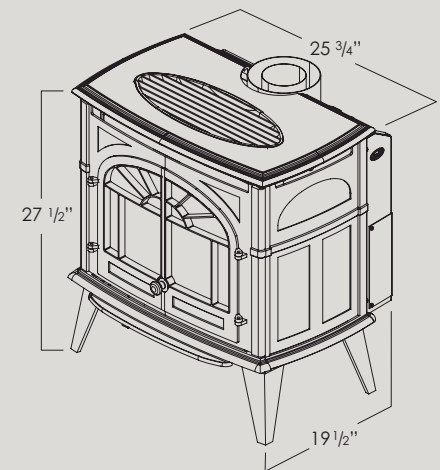
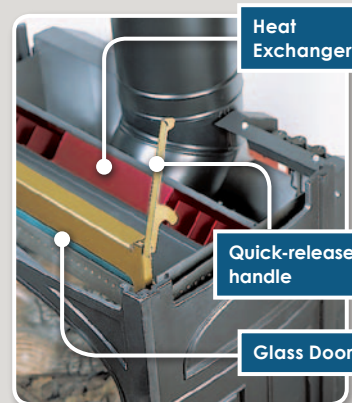
* Formula = 30k BTU Max Output – 50% Turn Down × 60% FE Rating

** Efficiency and area heated will vary according to gas type and venting.
Approved for sale in Canada and the United States.

Westport Features

- Field conversion kit NG to LP
- Thermostat or remote compatible
- Ceramic log set
- Ceramic Brick Liner
- 5mm ceramic glass
- Heavy duty heat exchanger
- Metallic black paint
- Easy access controls
- Battery powered ignition system
- Cast iron body and legs
- Cast iron opening doors
- Direct vent system
- Quick release glass door system
- Top vent / rear vent convertible
- 180 CFM variable speed fan
- Optional Clip on Safety Screen
- B Vent Adaptor

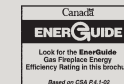
The Westport uses a heavy-duty heat exchanger and quick release glass door system for easy cleaning.



Clearance to Combustibles

Min. distance to the sides of the unit	11"
Min. non-combustible surface behind the unit	2.5"
Min. non-combustible surface from above the unit	42"

Please see owner's manual for more information



Please share and recycle this brochure

Manufactured by Sherwood Industries Ltd ▪ Victoria, BC, Canada
enviro.com ▪ info@enviro.com ▪ Printed in Canada, September, 2012