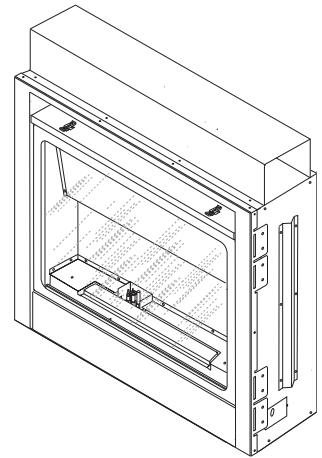


# Woodbridge Fireplace Inc.



DIRECT VENT GAS FIREPLACE WITH ELECTRONIC IGNITION SYSTEM

**MODELS: BDV1400(NE,PE), HDV1400(NE,PE)**

INSTALLATION AND OPERATING INSTRUCTIONS

## **⚠ WARNING: FIRE OR EXPLOSION HAZARD**

Failure to follow safety warnings exactly could result in serious injury, death, or property damage.

- Do not store or use gasoline or other flammable vapors and liquids in the vicinity of this or any other appliance.
- **WHAT TO DO IF YOU SMELL GAS**
  - Do not try to light any appliance.
  - Do not touch any electrical switch; do not use any phone in your building.
  - Leave the building immediately.
  - Immediately call your gas supplier from a neighbor's phone. Follow the gas supplier's instructions.
  - If you cannot reach your gas supplier, call the fire department.
- Installation and service must be performed by a qualified installer, service agency or the gas supplier.

**WARNING:** Improper installation, adjustment, alteration, services or maintenance can cause injury or property damage. Refer to this manual. For assistance or additional information consult a qualified installer, service agency or the gas supplier.

This appliance may be installed in an aftermarket, permanently located, manufactured home (USA only) or mobile home where not prohibited by local codes.

This appliance is only for use with the type of gas indicated on the rating plate. This appliance is not convertible for use with other gases, unless a certified kit is used.

## **⚠ DANGER**



**HOT GLASS WILL CAUSE BURNS.**

**DO NOT TOUCH GLASS UNTIL COOLED.**

**NEVER ALLOW CHILDREN TO TOUCH GLASS.**

A barrier designed to reduce the risk of burns from the hot viewing glass is provided with this appliance and shall be installed for the protection of children and other at-risk individuals.

**DUE TO HIGH TEMPERATURES, THE APPLIANCE SHOULD BE LOCATED OUT OF TRAFFIC AND AWAY FROM FURNITURE AND DRAPERIES.**

**CHILDREN AND ADULTS SHOULD BE ALERTED TO THE HAZARDS OF HIGH SURFACE TEMPERATURE AND SHOULD STAY AWAY TO AVOID BURNS OR CLOTHING IGNITION.**

**YOUNG CHILDREN SHOULD BE SUPERVISED WHEN THEY ARE IN THE SAME ROOM AS THE APPLIANCE.**

**CLOTHING OR OTHER FLAMMABLE MATERIAL SHOULD NOT BE PLACED ON OR NEAR THE APPLIANCE.**

**KEEP THE ROOM AREA CLEAR AND FREE FROM COMBUSTIBLE MATERIALS, GASOLINE, AND OTHER FLAMMABLE VAPORS AND LIQUIDS.**

**INSTALLER:** Leave this manual with the appliance.  
**CONSUMER:** Retain this manual for future reference.

Version française de ce manuel est disponible à partir du site WEB : [www.woodbridgefp.com](http://www.woodbridgefp.com)

French version of this Owners Manual is available at [www.woodbridgefp.com](http://www.woodbridgefp.com)

# CONTENTS

<b>Important Safety Information .....</b>	<b>3</b>	<b>Electrical Installation.....</b>	<b>29</b>
<b>Product Features.....</b>	<b>5</b>	Electrical Wiring .....	29
<b>Code Approval .....</b>	<b>5</b>	<b>Glass Removal .....</b>	<b>30</b>
<b>Pre-Installation Information.....</b>	<b>6</b>	<b>Final Installation.....</b>	<b>31</b>
Installing Above 2000 Feet .....	6	Glass or rock wool media placement .....	31
Orifice Sizes, Pressures and BTUs .....	6	Log Placement .....	32
Before You Install .....	6	<b>Safety Screen Installation.....</b>	<b>34</b>
Fireplace Framing.....	7	<b>Operating Instructions .....</b>	<b>35</b>
Fireplace Dimensions .....	8	What To Do If You Smell Gas .....	35
Fireplace Location .....	9	Initializing Sytem for the First Time .....	35
<b>Securing Fireplace to Floor or Framing .....</b>	<b>10</b>	Operating Instructions .....	36
<b>Clearances .....</b>	<b>11</b>	To Turn Off Gas.....	37
<b>Installation Information.....</b>	<b>12</b>	<b>Cleaning and Maintenance.....</b>	<b>38</b>
<b>Vent Installation .....</b>	<b>13</b>	Burner, Pilot and Control Compartment.....	38
Installation Precautions .....	13	Pilot Flame .....	38
Installation Planning .....	14	Burner Flame .....	38
Rear Wall Vent Installation .....	17	Air Shutter Assembly .....	38
Flexible Venting.....	18	Vent System .....	39
Horizontal Termination Configuration.....	19	Glass Door .....	39
Below Grade Installation .....	21	Logs.....	39
Vertical Through-the-Roof Installation .....	22	Rock Wool .....	39
Installation for Vertical Termination.....	23	<b>Blower electrical diagram and installation .....</b>	<b>40</b>
Cathedral Ceiling Installation.....	24	Vent Components .....	41
3" Flex Vent Pipe Installation.....	25	Firebox Components.....	42
<b>Fireplace Installation .....</b>	<b>27</b>	Proflame Wiring Diagram.....	43
Check Gas Type .....	27	<b>Illustrated Parts List.....</b>	<b>44</b>
Installing Gas Piping to Fireplace/Burner		<b>Troubleshooting .....</b>	<b>45</b>
System Location .....	27	<b>Warranty .....</b>	<b>Back Cover</b>
<b>Checking Gas Pressure.....</b>	<b>29</b>		

## IMPORTANT SAFETY INFORMATION

### INSTALLER

Please leave these instructions with the owner.

### OWNER

Please retain these instructions for future reference.

### WARNING

- Read this owner's manual carefully and completely before trying to assemble, operate, or service this fireplace.
- Any change to this fireplace or its controls can be dangerous.
- Improper installation or use of this fireplace can cause serious injury or death from fire, burns, explosions, electrical shock and carbon monoxide poisoning.

This fireplace is a vented product. This fireplace must be properly installed by a qualified service person. The glass door must be properly seated and sealed. If this unit is not properly installed by a qualified service person with glass door properly seated and sealed, combustion leakage can occur.

**CARBON MONOXIDE POISONING:** Early signs of carbon monoxide poisoning are similar to the flu with headaches, dizziness and/or nausea. If you have these signs, the fireplace may not have been installed properly. Get fresh air at once! Have the fireplace inspected and serviced by a qualified service person. Some people are more affected by carbon monoxide than others. These include pregnant women, people with heart or lung disease or anemia, those under the influence of alcohol, and those at high altitudes.

Propane/LP gas and natural gas are both odorless. An odor-making agent is added to each of these gases. The odor helps you detect a gas leak. However, the odor added to these gases can fade. Gas may be present even though no odor exists.

Make certain you read and understand all warnings. Keep this manual for reference. It is your guide to safe and proper operation of this fireplace.

1. This appliance is only for use with the type of gas indicated on the rating plate. This appliance is not convertible for use with other gases unless a certified kit is used.
2. For propane/LP fireplace, do not place propane/LP supply tank(s) inside any structure. Locate propane/LP supply tank(s) outdoors. To prevent performance problems, do not use propane/LP fuel tank of less than 100 lbs. capacity.
3. If you smell gas
  - shut off gas supply.
  - do not try to light any appliance.
  - do not touch any electrical switch; do not use any phone in your building .
  - immediately call your gas supplier from a neighbor's phone. Follow the gas supplier's instructions.
4. Never install the fireplace
  - in a recreational vehicle
  - where curtains, furniture, clothing, or other flammable objects are less than 42" from the front, top, or sides of the fireplace
  - in high traffic areas
  - in windy or drafty areas
5. This fireplace reaches high temperatures. Keep children and adults away from hot surfaces to avoid burns or clothing ignition. Fireplace will remain hot for a time after shutdown. Allow surfaces to cool before touching.
6. Carefully supervise young children when they are in the room with fireplace.
7. Do not modify fireplace under any circumstances. Any parts removed for servicing must be replaced prior to operating fireplace.
8. Turn fireplace off and let cool before servicing, installing, or repairing. Only a qualified service person should install, service, or repair the fireplace. Have burner system inspected annually by a qualified service person.
9. You must keep control compartments, burners, and circulating air passages clean. More frequent cleaning may be needed due to excessive lint and dust from carpeting, bedding material, pet hair, etc. Turn off the gas valve and pilot light before cleaning fireplace.
10. Have venting system inspected annually by a qualified service person. If needed, have venting system cleaned or repaired. See *Cleaning and Maintenance*, page 37.
11. Keep the area around your fireplace clear of combustible materials, gasoline, and other flammable vapor and liquids. Do not run fireplace where these are used or stored. Do not place items such as clothing or decorations on or around fireplace.

*Continued on page 4*

## IMPORTANT SAFETY INFORMATION

Continued from page 3

12. Do not use this fireplace to cook food or burn paper or other objects.
13. Never place anything on top of fireplace.
14. Do not use any solid fuels (wood, coal, paper, cardboard, etc.) in this fireplace. Use only the gas type indicated on rating plate.
15. This appliance, when installed, must be electrically grounded in accordance with local codes or in the absence of local codes, with the *National Electrical Code, ANSI/NFPA 70*, or the *Canadian Electrical Code, CSA C22.1*.
16. Do not obstruct the flow of combustion and ventilation air in any way. Provide adequate clearances around air openings into the combustion chamber along with adequate accessibility clearance for servicing and proper operation.
17. When the appliance is installed directly on carpeting, tile or other combustible material other than wood flooring, you must set appliance on a metal or wood panel or hearth pad extending the full width and depth of the appliance.
18. Do not use fireplace if any part has been exposed to or has been under water. Immediately call a qualified service person to arrange for replacement of the unit.
19. Do not operate fireplace if any log is broken.
20. Do not use a blower insert, heat exchanger insert, or any other accessory not approved for use with this fireplace.
21. Young children should be carefully supervised when they are in the same room as the appliance. Toddlers, young children, and others may be susceptible to accidental contact burns. A physical barrier is recommended if there are at risk individuals in the house. To restrict access to a fireplace or stove, install an adjustable safety gate to keep toddlers, young children, and other at risk individuals out of the room and away from hot surfaces.
22. Any safety screen or guard removed for servicing an appliance must be replaced prior to operating the appliance.
23. Handle glass door with care to avoid striking or scratching it on hard objects. **WARNING:** Do not operate appliance with the glass front removed, cracked or broken. Replacement of the glass should be done by a licensed or qualified service person.
24. Installation and repair should be done by a qualified service person. The appliance should be inspected before use and at least annually by a professional service person. More frequent cleaning may be required due to excessive lint from carpeting, bedding material, etc. It is imperative that control compartments, burners and circulating air passageway of the appliance be kept clean.

### IMPORTANT:

#### **PLEASE READ THE FOLLOWING CAREFULLY**

It is normal for fireplaces fabricated of steel to give off some expansion and/or contraction noises during the start up or cool down cycle. Similar noises are found with your furnace heat exchanger or car engine.

### IMPORTANT:

#### **PLEASE READ THE FOLLOWING CAREFULLY**

It is not unusual for gas fireplace to give off some odor the first time it is burned. This is due to the manufacturing process.

**Please ensure that your room is well ventilated during burn off — open all windows.**

It is recommended that you burn your fireplace for at least ten (10) hours the first time you use it. Place the fan switch in the "OFF" position during this time.

## SAFETY SCREEN INFORMATION

**WARNING:** A barrier (safety screen) designed to reduce the risk of burns from the hot viewing glass is provided with this appliance and shall be installed for the protection of children and other at-risk individuals.

**IMPORTANT:** Safety Screen must be in place when the fireplace is in operation. If the barrier becomes damaged, the barrier shall be replaced with the manufacturer's barrier for this appliance. Any safety screen, guard, or barrier removed for servicing the appliance, must be replaced prior to operating the appliance.

## PRODUCT SPECIFICATIONS

- This appliance has been certified for use with either natural or propane gas. See appropriate data plates.
- This appliance is not for use with solid fuels.
- The appliance is approved for bedroom or bedsitting room installations.
- The installation must conform with local codes or, in the absence of local codes, with the National Fuel Gas Code, ANSI Z223.1/ NFPA54 in U.S.A., or the Natural Gas and Propane Installation Code, CSA B149.1 in Canada.
- This appliance is mobile home approved.
- The appliance must be properly connected to a venting system.
- The appliance is not approved for closet or recessed installations.

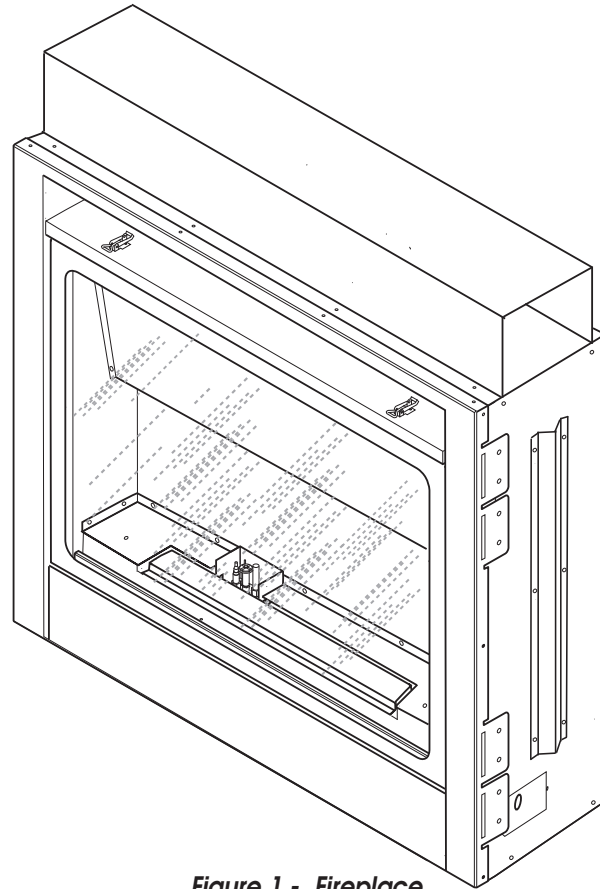


Figure 1 - Fireplace

## CODE APPROVAL

Direct Vent type appliances draw all combustion air from outside of the dwelling through the vent pipe.

These appliances have been listed by OMNI and found to comply with the established standards for DIRECT VENT GAS FIREPLACE HEATERS in the USA and Canada as follows:

### LISTED VENTED GAS FIREPLACE HEATER

Tested to: ANSI Z21.88-2019/CSA 2.33-2019, CSA 2.17-M91 (R2009), CSA P.4.1-15 standards.

This appliance may be installed in an aftermarket, permanently located, manufactured home (USA only) or mobile home, where not prohibited by local codes.

This appliance is only for use with the type of gas indicated on the rating plate.  
This appliance is not convertible for use with other gases, unless a certified kit is used.

## PRE-INSTALLATION INFORMATION

### INSTALLING ABOVE 2000 FEET

- In the USA, the appliance must be derated 4% for every 1,000 ft above 2,000 ft elevations.
- In Canada, these appliances are certified for altitudes of 0 – 4,500 ft.

### ORIFICE SIZES, PRESSURES AND BTUs

#### NATURAL GAS

Manifold Press: (W.C.)	3.5"
Maximum Supply Pressure	10.5"
Minimum Supply Pressure	4.5"

#### PROPANE GAS

Manifold Press: (W.C.)	10"
Maximum Supply Pressure	13"
Minimum Supply Pressure	11"

Model Number	Gas Type	Orifice Size As Shipped	Input Rate Btu/hr
BDV1400NE	Natural	#50	14,000
BDV1400PE	Propane	1.15 mm	14,000
HDV1400NE	Natural	#47	18,000
HDV1400PE	Propane	1.25 mm	17,000

### BEFORE YOU START

Read this homeowner manual thoroughly and follow all instructions carefully. Inspect all contents for shipping damage and immediately inform your dealer if any damage is found. Do not install any unit with damaged, incomplete, or substitute parts. Check your packing list to verify that all listed parts have been received. You should have the following:

- Fireplace (Firebox and Burner System)
- Rock Wool or Glass burner media (provided)
- Log Set (optional)

### ITEMS REQUIRED FOR INSTALLATION

#### Tools:

- Phillips Screwdriver
- Hammer
- Saw and/or saber saw
- Level
- Measuring Tape
- Electric Drill and Bits
- Pliers
- Square
- Pipe Wrench

#### Building Supplies:

- Framing Materials
- Wall Finishing Materials
- Caulking Material (Noncombustible)
- Fireplace Surround Material (Noncombustible)
- Piping Complying with Local Codes
- Tee Joint
- Pipe Sealant Approved for use with Propane/LPG (Resistant to Sulfur Compounds)

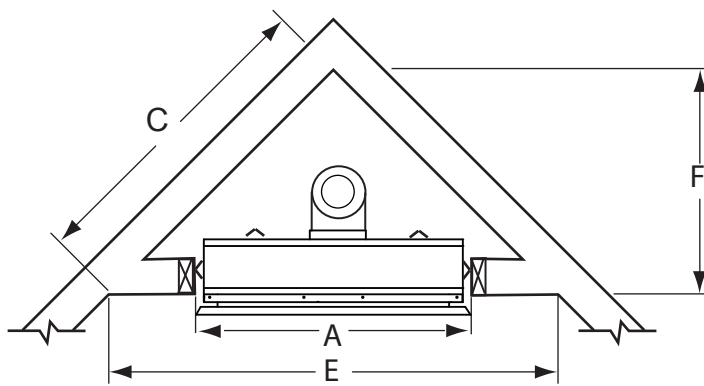
# FIREPLACE FRAMING

Firebox framing can be built before or after the appliance is set in place. Construct firebox framing following *Figure 2* and the chart below for your specific installation requirements. See *Figure 3 on Page 8* for firebox dimensions. The framing headers may rest on the top of the firebox standoffs.

The firebox may be installed directly on a combustible floor or raised on a platform of an appropriate height. When the firebox is installed directly on carpeting, tile, or other combustible material, other than wood flooring, the firebox shall be installed on a metal or wood panel extending the full width and depth of the enclosure.

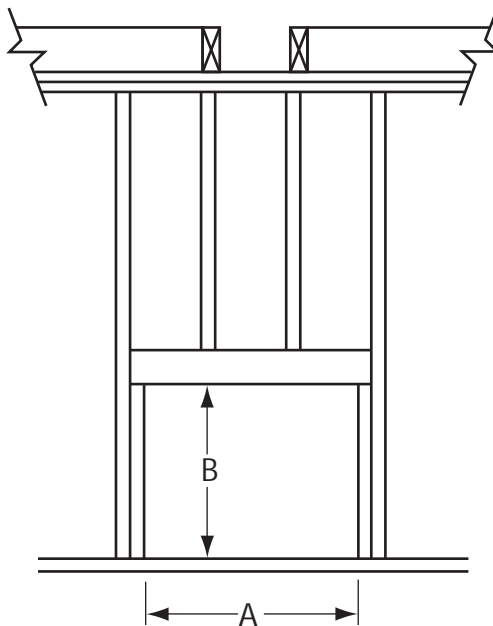
## WARNING

Do not fill spaces around firebox with insulation or other materials. This could cause a fire.

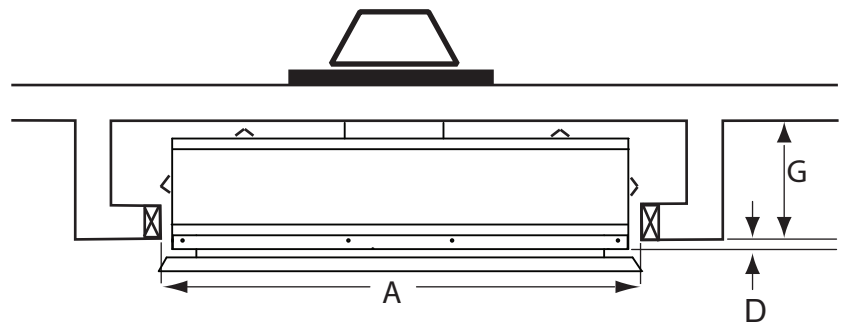


BDV/HDV1400	
A	35-1/2"
B	34-1/2"
C	33-1/4"
D	1/2"
E	47"
F	23-1/2"
G	9-1/2"

Vented vertically

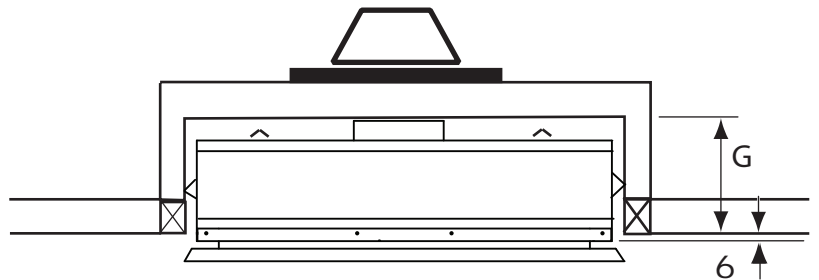


Stud Location



Inside Chase Installation  
Vented through the wall

D - Wall finish material thickness  
(see also page 11)



Recessed Installation  
Vented through the wall

Figure 2 - Framing Dimensions

# PRE-INSTALLATION INFORMATION

Model DV1400

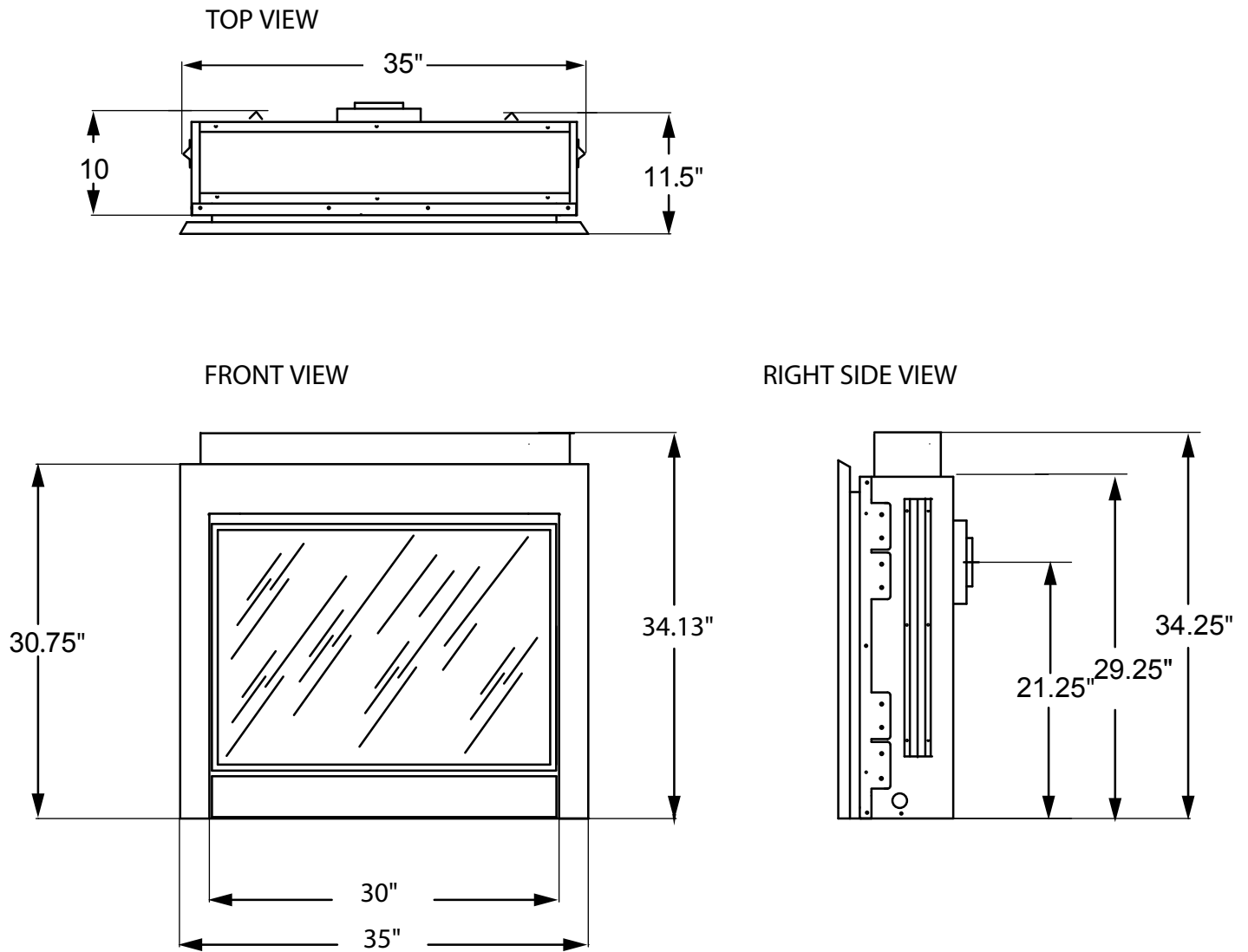


Figure 3 - Fireplace Dimensions



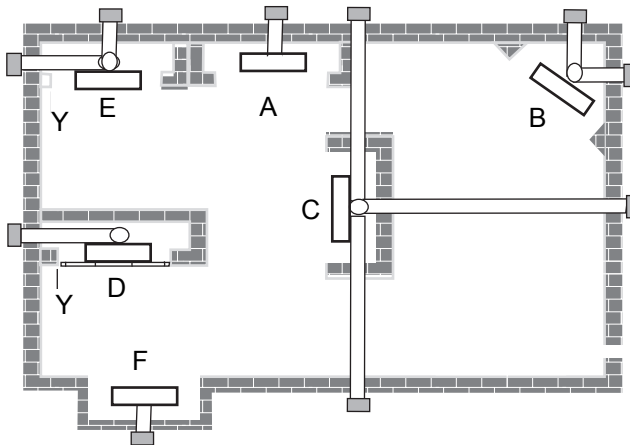
## FIREPLACE LOCATION

Plan for the installation of your appliance. This includes determining where the unit is to be installed, the vent configuration to be used, framing and finishing details, and whether any optional accessories (i.e. blower, wall switch, or remote control) are desired. Consult your local building code agency to ensure compliance with local codes, including permits and inspections.

The following factors should be taken into consideration:

- Clearance to side-wall, ceiling, woodwork, and windows. Minimum clearances to combustibles **must be maintained**.
- This fireplace may be installed along a wall, across a corner, or use an exterior chase. See *Figure 4* for suggested locations.
- Location should be out of high traffic areas and away from furniture and draperies due to heat from appliance.
- Never obstruct the front opening of the fireplace.
- Do **not** install in the vicinity where gasoline or other flammable liquids may be stored.
- Vent pipe routing. See *Venting* section found in this manual for allowable venting configurations.
- These units can be installed in a bedroom. See National Fuel Gas Code ANSI Z233.1/NFPA 54 — (current edition), the Uniform Mechanical Code — (current edition), and Local Building Codes for specific installation requirements.

<b>A</b>	Flat on Wall
<b>B</b>	Cross Corner
<b>C</b>	Island**
<b>D</b>	Room Divider*
<b>E</b>	Flat on Wall Corner*
<b>F</b>	Chase Installation
<b>Y</b>	7" Minimum

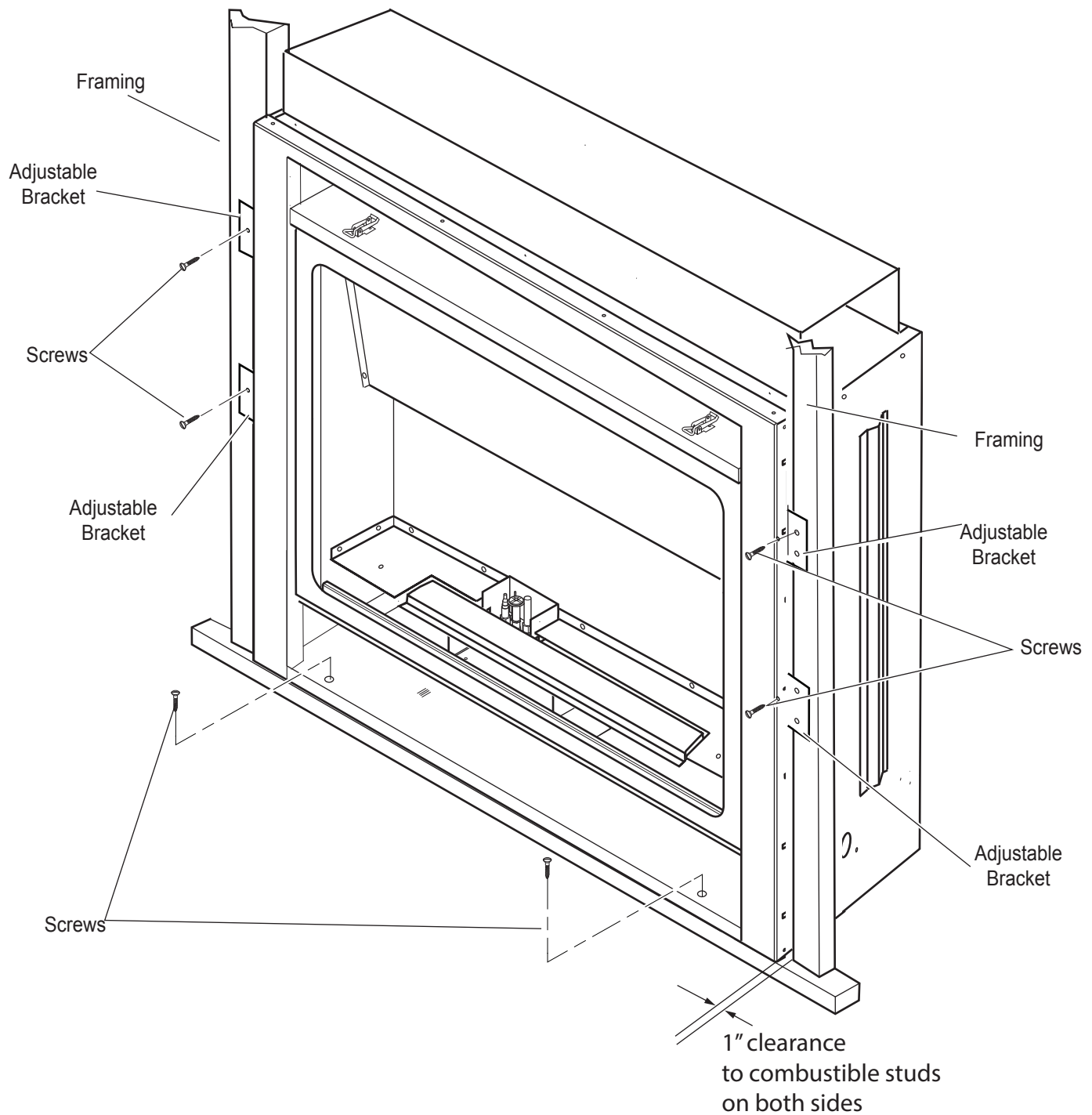


**Figure 4 - Locating Gas Fireplace**

- \*\* Island (C) and room divider (D) installation is possible as long as the horizontal portion of vent system (X) does not exceed 20'. See *Installing Horizontal Termination Configuration* on pages 18 and 19.
- \* When you install your fireplace in (D) room divider or (E) flat on wall corner positions (Y), a minimum of 7" clearance must be maintained from perpendicular wall and front of fireplace.

## SECURING FIREPLACE TO FLOOR OR FRAMING

The fireplace must be secured to the floor and/or to framing studs as shown in *Figure 5*. Use two (2) wood screws or masonry/concrete screws to secure fireplace to the floor. Use four (4) screws to attach fireplace to framing. The side brackets are adjustable from 1/2" to 5/8" to accommodate different thickness of material.



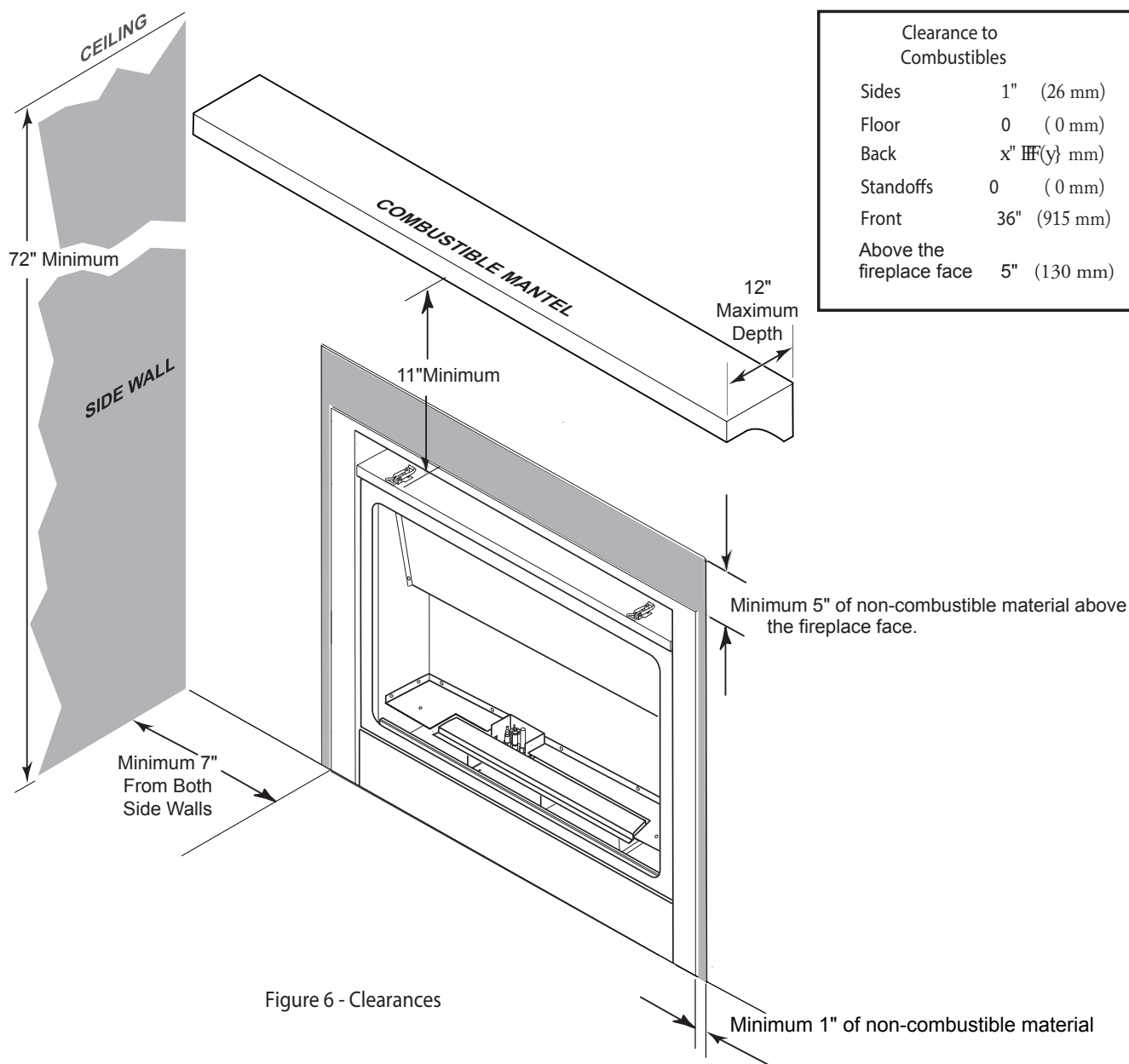
*Figure 5 - Securing Fireplace to Floor and Framing Studs*

## CLEARANCES TO COMBUSTIBLES

### WARNING

Follow these instructions carefully to ensure safe installation. Failure to follow instructions exactly can create a fire hazard.

The appliance cannot be installed on a carpet, tile or other combustible material other than wood flooring. If installed on carpet or vinyl flooring, the appliance shall be installed on a metal, wood or noncombustible material panel extending full width and depth of the appliance.



### MANTEL CLEARANCES

**NOTE:** The combustible area above the facing must not protrude more than  $\frac{3}{4}$ " from the facing. If it does, it is considered a mantel and must meet the mantel requirements listed in this manual.

## INSTALLATION INFORMATION

### FINISHING MATERIAL

**NOTE:** Any remote wiring (i.e. remote control, wall switch, and optional fan) must be done prior to final finishing to avoid costly reconstruction.

#### **WARNING**

Never obstruct or modify the air inlet or outlet grills (louvers). This may create a fire hazard.

Only noncombustible materials (i.e. brick, tile, slate, steel, or other materials with a UL fire rating of Zero) may be used to cover the black surface of the appliance. A 300°F minimum adhesive may be used to attach facing materials to the black surface. If joints between the finished wall and the fireplace surround are sealed, a 300°F minimum sealant material (General Electric RTV103 or equivalent) must be used.

### VENT INSTALLATION

#### **WARNING**

Read all instructions completely and thoroughly before attempting installation. Failure to do so could result in serious injury, property damage or loss of life. Operation of improperly installed and maintained venting system could result in serious injury, property damage or loss of life.

#### **NOTICE**

Failure to follow these instructions will void the warranty.

### INSTALLATION PRECAUTIONS

Consult local building codes before beginning the installation. The installer must make sure to select the proper vent system for installation. Before installing vent kit, the installer must read this fireplace manual and vent kit instructions.

Only a qualified installer/service person should install venting system. The installer must follow these safety rules:

- Wear gloves and safety glasses for protection.
- Use extreme caution when using ladders or when on rooftops.
- Be aware of electrical wiring locations in walls and ceilings.

The following actions will void the warranty on your venting system:

- Installation of any damaged venting component.
- Unauthorized modification of the venting system.
- Installation of any component part not manufactured or approved by Woodbridge Fireplace, Inc.
- Installation other than permitted by these instructions.

## VENT INSTALLATION

### NOTICE

This fireplace must be vented to the outside. The venting system must NEVER be attached to a chimney serving a separate solid fuel burning appliance. Each gas appliance must use a separate vent system. Do not use common vent systems.

### WARNING

Horizontal sections of this vent system require a minimum clearance of 3" from the top of the pipe and 1" minimum to the sides and bottom. Vertical sections of this system require a minimum of 1" clearance to combustible materials on all sides of the pipe.

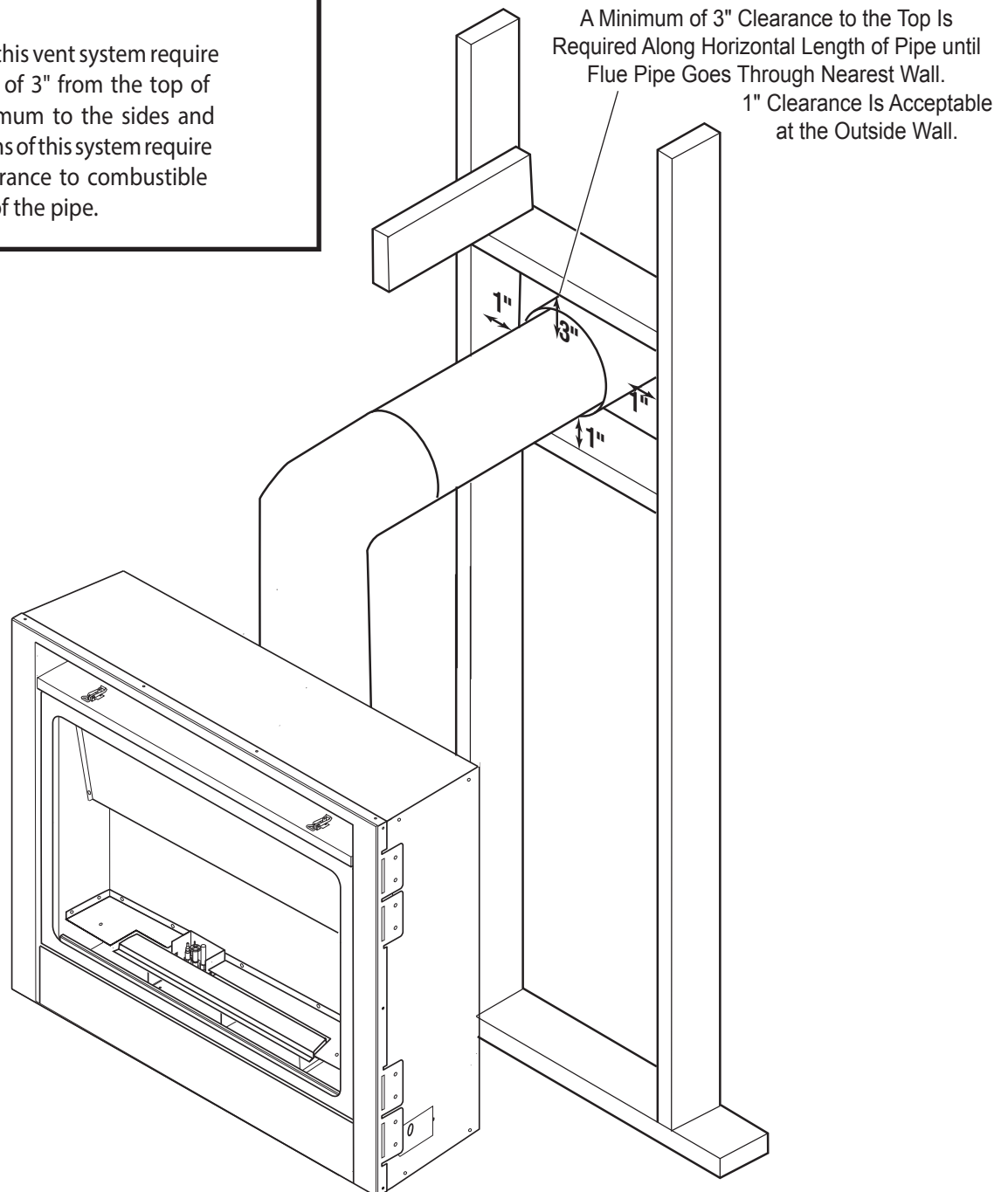


Figure 7 - Combustible Clearances for Vent Pipe

# VENT INSTALLATION

## INSTALLATION PLANNING

There are two basic types of direct-vent installation:

- Horizontal Termination
- Vertical Termination

It is important to select the proper length of vent pipe for the type of termination you choose. It is also important to note the wall thickness.

### FOR HORIZONTAL TERMINATION

Select the amount of vertical rise desired. All horizontal run of venting must have  $\frac{1}{4}$ " rise for every 12" of run towards the termination.

You may use up to three 90° elbows in this vent configuration.

**NOTE:** 90° starting vertical elbow is exempt.

See *Horizontal Termination Configurations* on pages 19 and 20.

### FOR VERTICAL TERMINATION

Measure the distance from the fireplace floor to the ceiling. Add the ceiling thickness, the vertical rise in an attic or second story, and allow for sufficient vent height above the roof line.

**NOTE:** You may use two 45° elbows in place of a 90° elbow. You must follow rise to run ratios when using 45° elbows. The appliance is approved for use with three 90° elbows maximum or a combination of 90° and 45° elbows up to a maximum of 270°.

For two-story applications, firestops are required at each floor level. If an offset is needed in the attic, additional pipe and elbows will be required.

You may use a chase with a vent termination with exposed pipe on the exterior of the house. See *Installing Vent System in a Chase* below. If pipe is enclosed in chase, it is not exposed.

It is very important that the venting system maintain its balance between the combustion air intake and the flue gas exhaust. Certain limitations apply to vent configurations and must be strictly followed.

## INSTALLING A VENT SYSTEM IN AN OUTSIDE CHASE

A chase is a vertical boxlike structure built to enclose venting that runs along the outside of a building. A chase is required for such venting.

### NOTICE

Treatment of firestops and construction of the chase may vary from building type to building type. These instructions are not substitutes for the requirements of local building codes. You must follow all local building codes.

### NOTICE

When installing in a chase, you should insulate the chase as you would the outside walls of your home. This is especially important in cold climates. Insulation should be considered a combustible material. Maintain proper clearances to all combustible materials.

### WARNING

Never run the vent pipe level or downward. This may cause excessive temperatures which could cause a fire.

## FOR HORIZONTAL TERMINATION

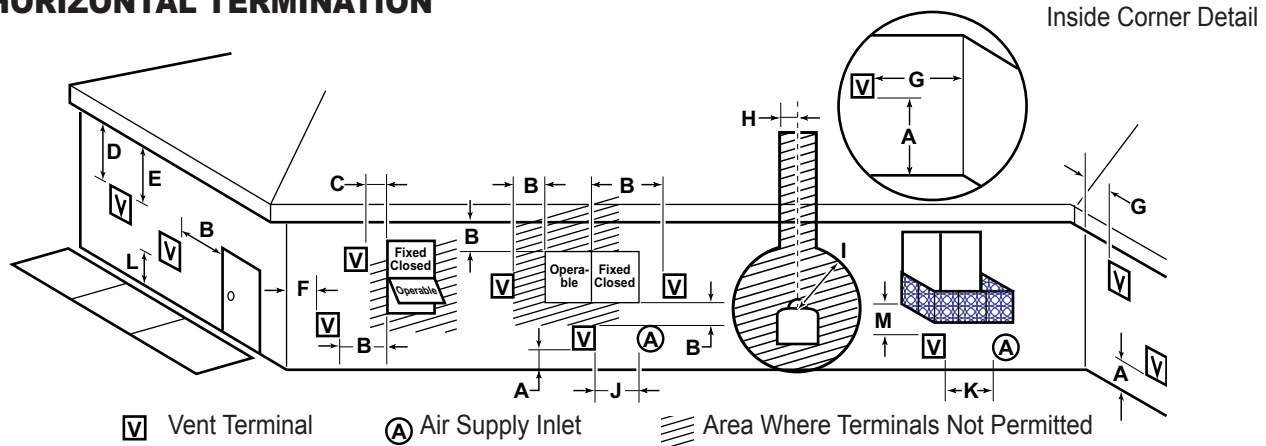


Figure 8 - Horizontal Vent Termination Location

### MINIMUM DISTANCES

- A = Clearance above the grade, a veranda, porch, deck, or balcony [\*12" (305mm) minimum].
  - B = Clearance to window or door that may be opened [\*12" (305mm) minimum].
  - C = Clearance to permanently closed window [\*minimum 12" (305mm) recommended to prevent condensation on window]
  - D = Vertical clearance to ventilated soffit located above the terminal within a horizontal distance of two (2) feet (610mm) from the centerline of the terminal [18" (457mm) minimum].
  - E = Clearance to unventilated soffits [12" (305mm) minimum]. **Clearance to vinyl soffit [30" (762mm)].**
  - F = Clearance to an outside corner. See page 12.
  - G = Clearance to an inside corner. See page 12.
  - H = \*Not to be installed above a gas meter/regulator assembly within three (3) feet (914mm) horizontally from the centerline of the regulator.
  - I = Clearance to service regulator vent outlet [\*3' (914mm) minimum].
  - J = Clearance to non-mechanical air supply inlet to building or the combustion air inlet to any other appliance [\*12" (305mm) minimum].
  - K = Clearance to a mechanical air supply inlet [\*6' (1829mm) minimum].
  - L = Clearance above a paved sidewalk or paved driveway located on public property [\*7' (2133mm) minimum].
  - M = Clearance under veranda, porch, deck, or balcony [\*12" (305mm) minimum\*\*\*].
  - N = Clearance above a roof shall extend a minimum of 24" (610mm) above the highest point when it passes through the roof surface and any other obstruction within a horizontal distance of 18" (457mm).
- \* As specified in CAN/CGA B149 Installation Codes. Note: Local codes or regulations may require different clearances.  
 \*\* A vent must not terminate directly above a sidewalk or paved driveway, which is located between two single-family dwellings and serves both dwellings.  
 \*\*\* Only permitted if veranda, porch, deck, or balcony is fully open on a minimum of two sides beneath the floor.

### WARNING

Always maintain minimum clearances around vent systems. The minimum clearances to combustibles for horizontal vent pipe are 3" at the top and 1" at the sides and bottom of the vent system until the pipe penetrates the nearest vertical wall. A 1" minimum clearance all around the pipe must be maintained. Do not pack the open air spaces with insulation or other materials. This could cause high temperatures and may present a fire hazard.

# VENT INSTALLATION

## TERMINATION CLEARANCES FOR BUILDINGS WITH COMBUSTIBLE AND NONCOMBUSTIBLE EXTERIORS

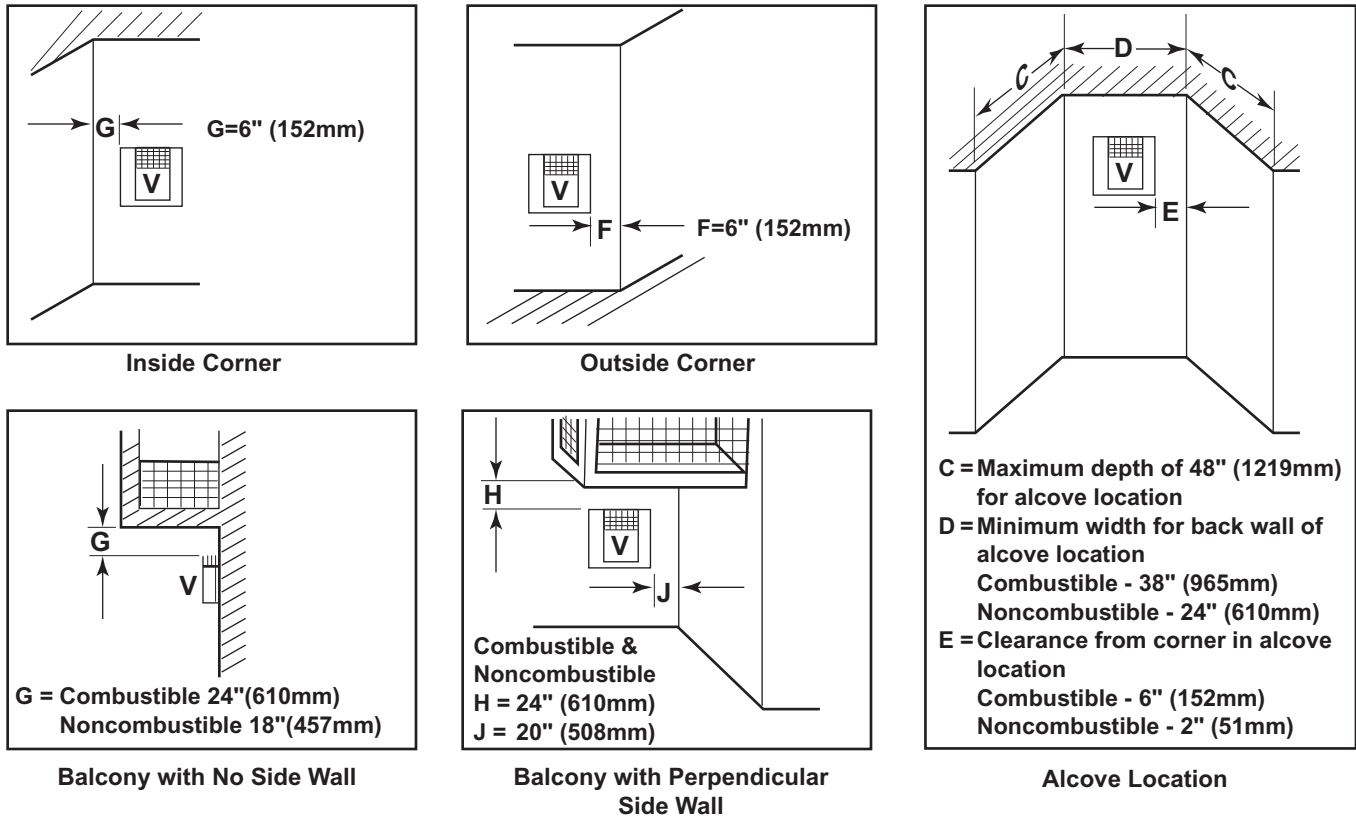


Figure 9 - Allowable Venting Chart

### HOW TO USE THE VENT GRAPH

The Vent Graph should be read in conjunction with the following vent installation instructions to determine the relationship between the vertical and horizontal dimensions of the vent system.

1. Determine the height of the center of the horizontal vent pipe exiting through the outer wall. Using this dimension on the Sidewall Vent Graph below, locate the point intersecting with the slanted graph line.
2. From the point of this intersection, draw a vertical line to the bottom of the graph.
3. Select the indicated dimension, and position the fireplace in accordance with same.

*Example: If the vertical dimension from the floor of the fireplace is 11' (3.4m) the horizontal run to the face of the outer wall must not exceed 18' (5.5 m).*

*Example: If the vertical dimension from the floor of the unit is 7' (2.14m), the horizontal run to the face of the outer wall must not exceed 8' (2.5 m).*

Sidewall Vent Graph showing the relationship between vertical and horizontal dimensions for a Direct Vent flue system.

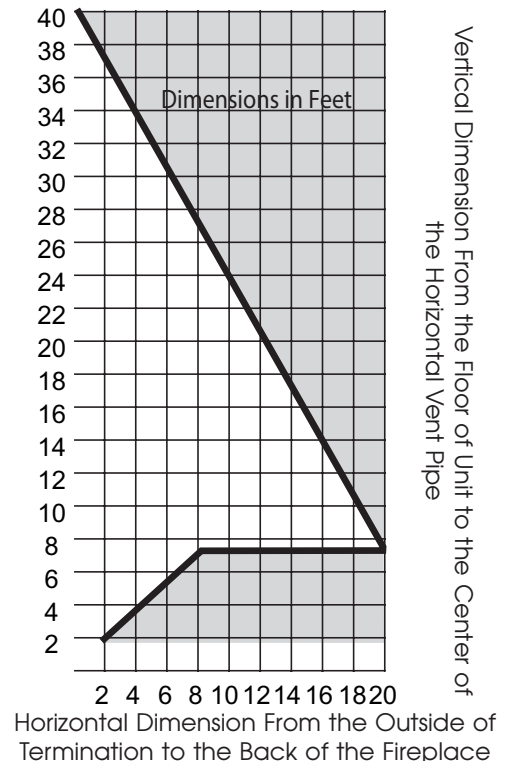


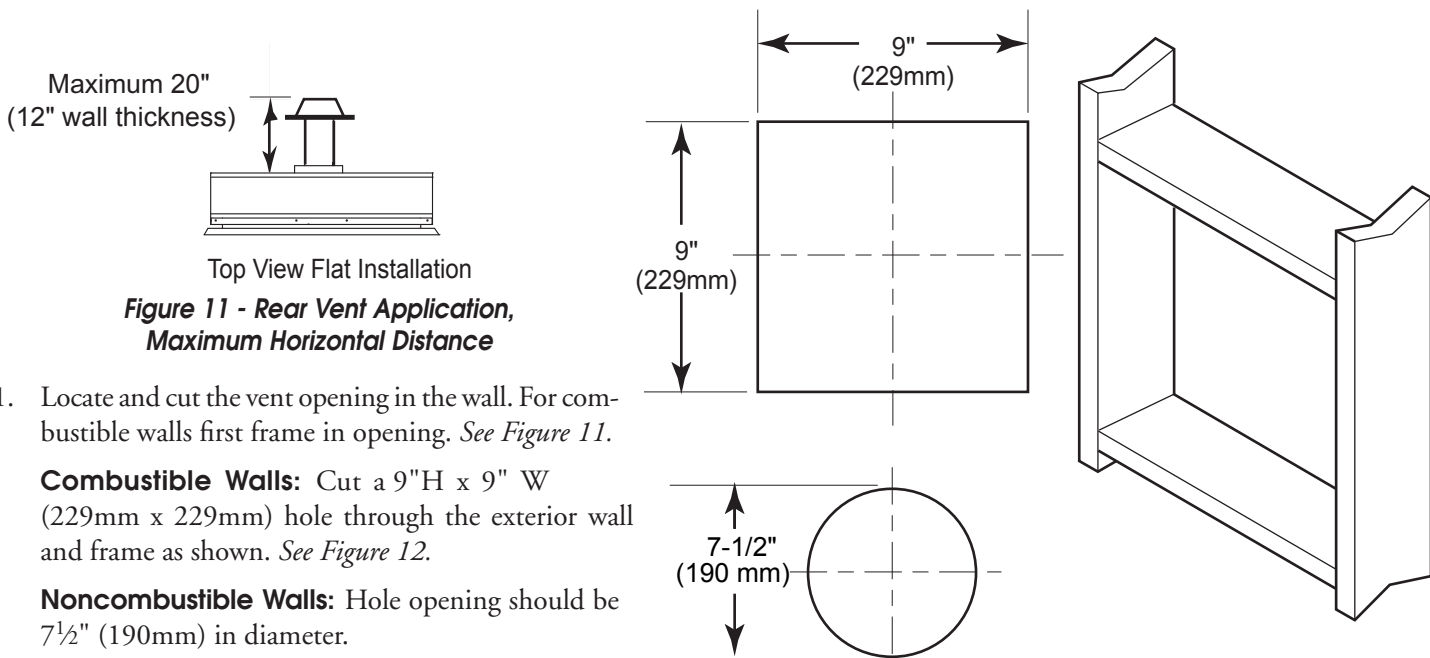
Figure 10 - Rear Wall Venting Graph



## REAR WALL VENT INSTALLATION

When installed as a rear vent unit this appliance may be vented directly to a termination located on the rear wall behind the appliance

- The maximum horizontal distance between the rear of the appliance and the outside of termination is 20" (508 mm). See *Figure 11*.



**Figure 11 - Rear Vent Application, Maximum Horizontal Distance**

1. Locate and cut the vent opening in the wall. For combustible walls first frame in opening. See *Figure 11*.

**Combustible Walls:** Cut a 9"H x 9" W (229mm x 229mm) hole through the exterior wall and frame as shown. See *Figure 12*.

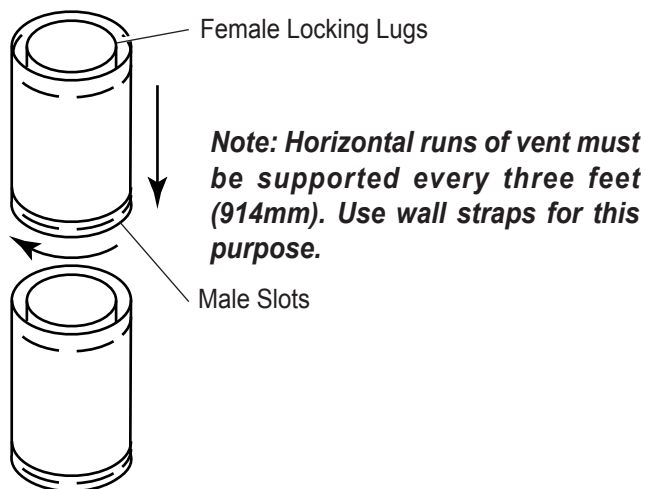
**Noncombustible Walls:** Hole opening should be 7½" (190mm) in diameter.

2. Rigid vent pipes and fittings have special twist-lock connections. Assemble the desired combination of pipe and elbows to the appliance adaptor with pipe seams oriented towards the wall or floor.

**Twist-lock Procedure:** The female ends of the pipes and fittings have three locking lugs (indentations). These lugs will slide straight into matching slots on the male end of adjacent pipes and fittings. Push the pipe sections together and twist one section clockwise approximately one-quarter turn until the sections are fully locked. See *Figure 13*.

3. Attach vent pipe assembly to the fireplace. Set fireplace in front of its permanent location to insure minimum clearances. Mark the wall for a 9"H x 9"W (229mm x 229mm) rectangle hole (for noncombustible material such as masonry block or concrete, a 7½" [190mm] diameter hole is acceptable). See *Figure 11*. The center of the hole should line up with the center line of the horizontal rigid vent pipe end. Be sure to allow for minimum rise. Cut a 9"x9" (229mm x 229mm) rectangle hole through combustible exterior wall (7½" [190mm] diameter hole if noncombustible). Frame as necessary. Allow ¼" minimum rise per foot. See *Figure 12*.

**Figure 12 - Vent Opening Requirements**



**Figure 13 - Rigid Vent Pipe Connections**

# VENT INSTALLATION

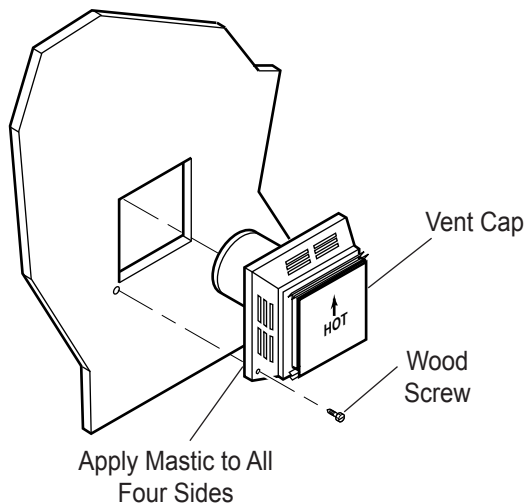


Figure 14 - Installing Horizontal Vent Cap

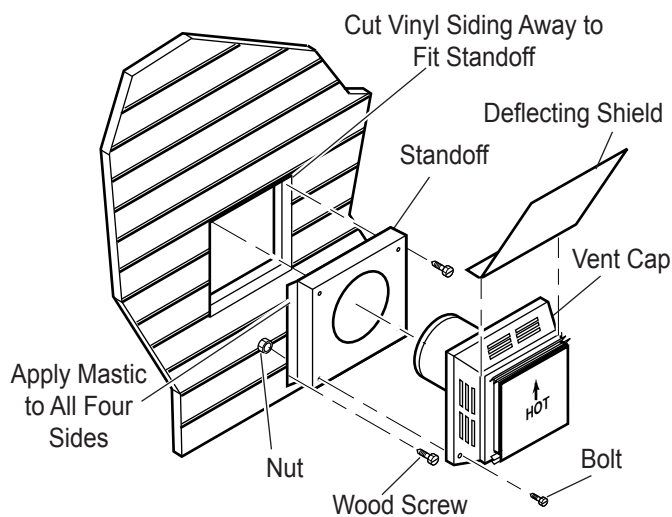


Figure 15 - Installing Vinyl Siding Standoff

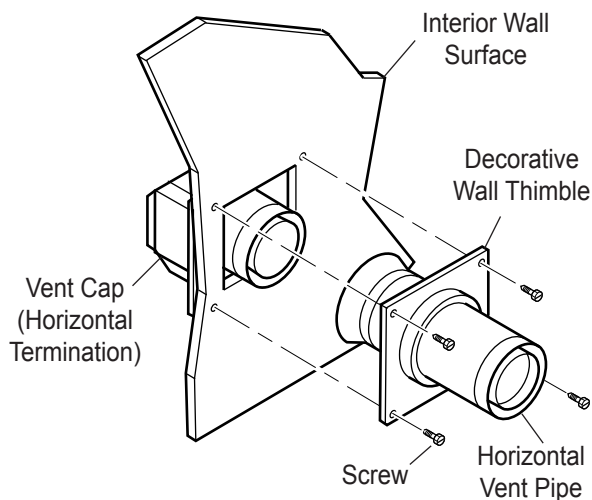


Figure 16 - Connecting Vent Cap with Horizontal Vent Pipe

## REAR WALL VENT INSTALLATION (continued)

4. Apply a bead of non-hardening mastic around the outside edge of vent cap. Position the vent cap in the center of hole on the exterior wall with the word "UP" on the vent cap facing up. Insure proper clearance of 1" to combustibles is maintained. Attach the vent cap with four wood screws supplied. See Figure 14.

### WARNING

Do not recess vent termination into any wall. This will cause a fire hazard.

**NOTE:** Replace the wood screws with appropriate fasteners for stucco, brick, concrete, or other types of siding.

For vinyl siding, stucco, or wood exterior use vinyl siding standoffs between vent cap and exterior wall. The vinyl siding standoff prevents excessive heat from melting the vinyl siding material. Bolt the vent cap to the standoff. Apply non-hardening mastic around outside edge of the standoff instead of the vent cap assembly. Use wood screws provided to attach the standoff. See Figure 15.

5. Slide the wall thimble over the vent pipe before connecting the horizontal run to the vent cap. See Figure 16.
6. Carefully move the fireplace with vent assembly attached toward the wall and insert the vent pipe into the horizontal termination. The pipe overlap should be a minimum of 1<sup>1</sup>/<sub>4</sub>". Apply silicone to the outer pipe connection. Fasten all vent connections with screws provided.
7. Slide the wall thimble against the interior wall surface and attach with screws. See Figure 16.

## HORIZONTAL TERMINATION CONFIGURATIONS — RIGID VENTING

Since it is very important that the venting system maintain its balance between the combustion air intake and the flue gas exhaust, certain limitations as to vent configurations apply and must be strictly adhered to.

The Vent Graph, showing the relationship between vertical and horizontal side wall venting, will help to determine the various dimensions allowable. *See page 16.*

**Minimum clearance between vent pipes and combustible materials is 3" on top and 1" from bottom and sides unless otherwise noted.**

When vent termination exits through foundations less than 20" below siding outcrop, the vent pipe must flush up with the siding.

It is best to locate the fireplace in such a way that minimizes the number of offsets and horizontal vent length.

The horizontal vent run refers to the total length of vent pipe from the flue collar of the fireplace (or the top of the 90 degree Starting elbow) to the face of the outer wall.

### WARNING

When installing the appliance as a horizontally vented unit, a 90° starting elbow attached directly to the rear of the unit is NOT INCLUDED in the following criteria and calculations, and unless specifically mentioned should be ignored when calculating venting layouts

- The maximum number of 90° elbows per side wall installation is three (3). *See Figure 18.*

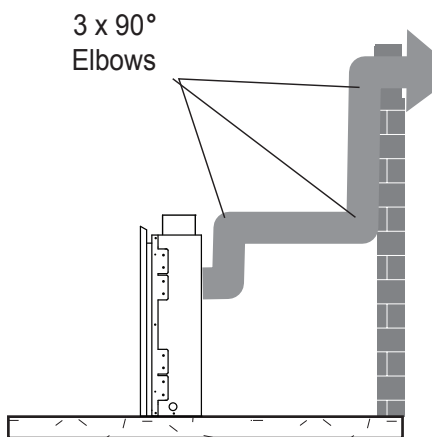


Figure 18 - Maximum Three (3) 90 degree Elbows Per Installation

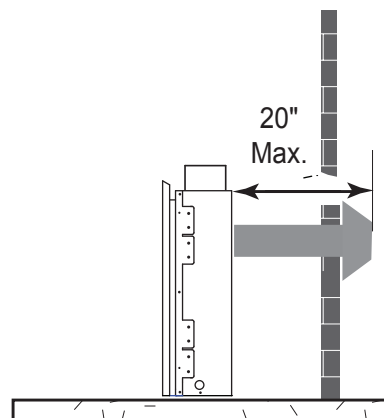


Figure 19 - Maximum Horizontal Run with No Rise

# VENT INSTALLATION

## HORIZONTAL TERMINATION CONFIGURATION — RIGID VENTING (Continued)

- If a 90° elbow is used in the horizontal vent run (level height maintained) the horizontal vent length is reduced by 36" (914 mm) (Fig. 21 A and B) This does not apply if the 90° elbows are used to increase or redirect a vertical rise. See Figure 19.

Example: According to the vent graph (page 16) the maximum horizontal vent length in a system with a 7.5' vertical rise is 20' (6m) and if a 90° elbow is required in the horizontal vent it must be reduced to 17' (5.2 m).

In Figures 20 and 21, Dimension A plus B must not be greater than 17' (5.2m).

- The maximum number of 45° elbows permitted per side wall installation is two (2). These elbows can be installed in either the vertical or horizontal run.
- For each 45° elbow installed in the horizontal run, the length of the horizontal run MUST be reduced by 18" (45cm). This does not apply if the 45° elbows are installed on the vertical part of the vent system.
- The maximum number of elbow degrees in a system is 270°. See Figure 22.

NOTE: The 90 degree elbow attached to the appliance is exempt.

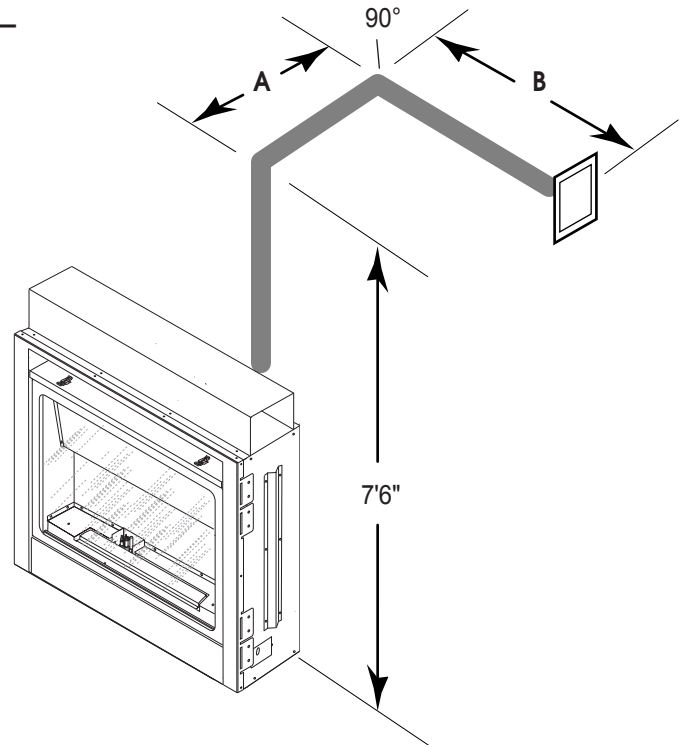


Figure 20 - Horizontal Run Reduction

Example:

Elbow 1	=	90°
Elbow 2	=	45°
Elbow 3	=	45°
Elbow 4	=	90°
Total Angular Variation		= 270°

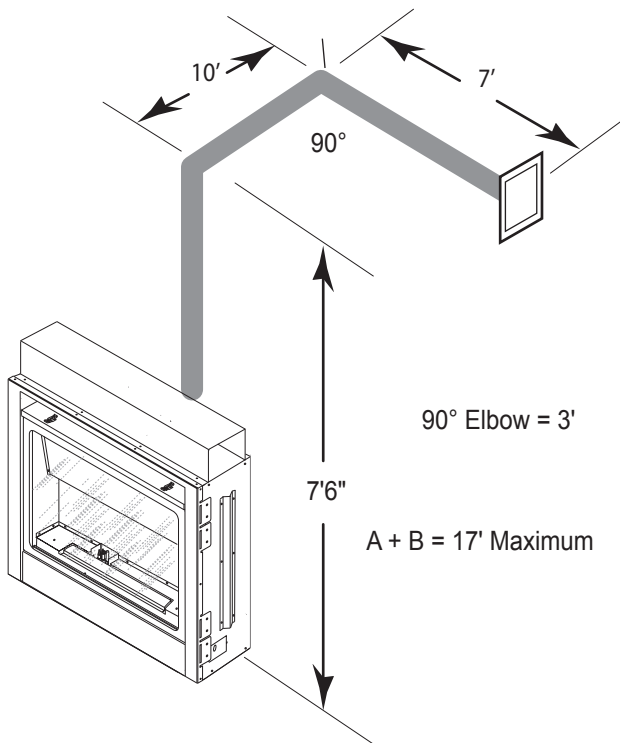


Figure 21 - Maximum Vent Run with Elbows

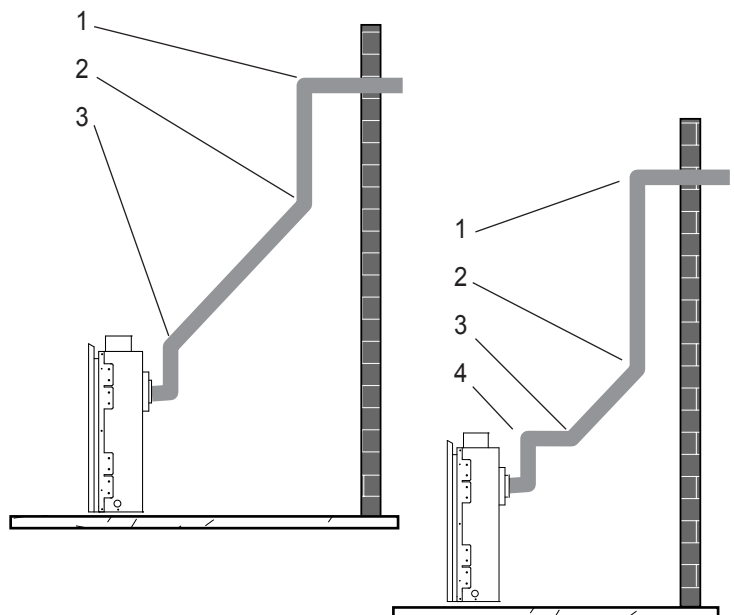


Figure 22 - Maximum Elbow Usage

## BELOW GRADE INSTALLATIONS — RIGID VENTING

When it is not possible to meet the required vent terminal clearances of 12" above grade level, a snorkel kit is recommended. It allows installation depth down to 7" (178mm) below grade level. The 7" (178mm) is measured from the center of the horizontal vent pipe as it penetrates through the wall.

**Ensure that sidewall venting clearances are observed. If venting system is installed below ground, we recommend a window well with adequate and proper drainage to be installed around the termination area.**

If installing a snorkel, a minimum 24" vertical rise is necessary. The maximum horizontal run with the 24" vertical pipe is 36". This measurement is taken from the collar of the fireplace (or transition elbow) to the face of the exterior wall. See the Sidewall Venting Graph for extended horizontal run if the vertical exceeds 24".

1. Establish vent hole through the wall. *See Figure 12, page 17.*
2. Remove soil to a depth of approximately 16" below base of snorkel. Install drain pipe. Install window well (not supplied). Refill hole with 12" of coarse gravel leaving a clearance of approximately 4" below snorkel. *See Figure 21.*
3. Install vent system.
4. Ensure a watertight seal is made around the vent pipe coming through the wall.
5. Apply high temperature sealant caulking (supplied) around the 4" and 7" snorkel collars.
6. Slide the snorkel into the vent pipes and secure to the wall.
7. Level the soil so as to maintain a 4" clearance below snorkel. *See Figure 23.*

### WARNING

- Do not back fill around snorkel.
- A clearance of at least 4" must be maintained between the snorkel and the soil.

If the foundation is recessed, use recess brackets (not supplied) for securing lower portion of the snorkel. Fasten brackets to wall first, then secure to snorkel with self drilling #8x<sup>1</sup>/<sub>2</sub> sheet metal screws. It will be necessary to extend vent pipes out as far as the protruding wall face. *See Figure 24.*

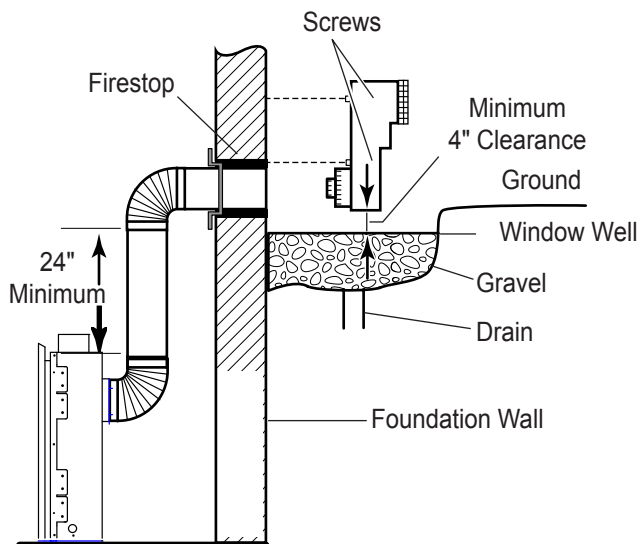


Figure 23 - Below Grade Installation

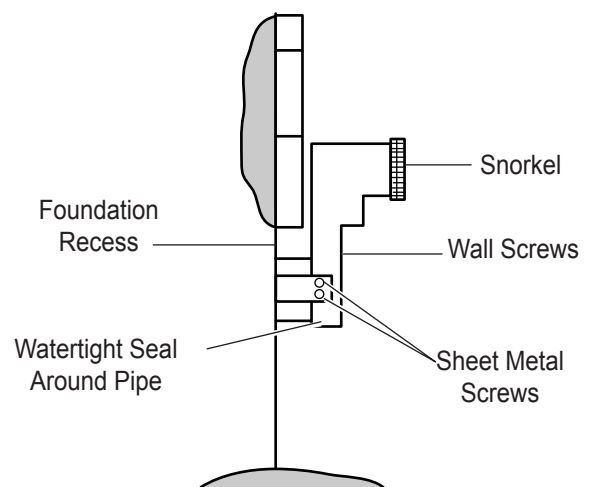


Figure 24 - Snorkel Installation, Recessed Foundation

# VENT INSTALLATION

## VERTICAL THROUGH-THE-ROOF APPLICATIONS — RIGID VENTING ONLY

This Gas Fireplace has been approved for,

- Vertical installations up to 40' (12m) in height. Up to a 10' (3m) horizontal vent run can be installed within the vent system using a maximum of two 90° elbows. See Figure 25.

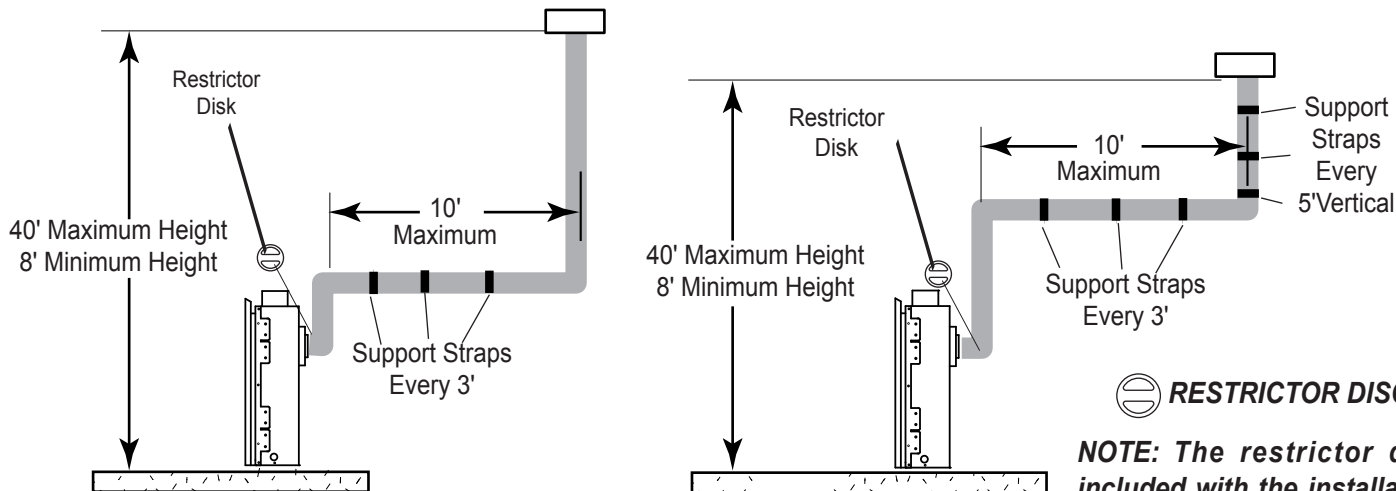


Figure 25- Support Straps for Horizontal Runs

**RESTRICTOR DISC**

**NOTE:** The restrictor disc included with the installation instructions should be used on vertically terminating installations only.

- Up to two 45° elbows may be used within the horizontal run. For each 45° elbow used on the horizontal plane, the maximum horizontal length must be reduced by 18" (450mm).

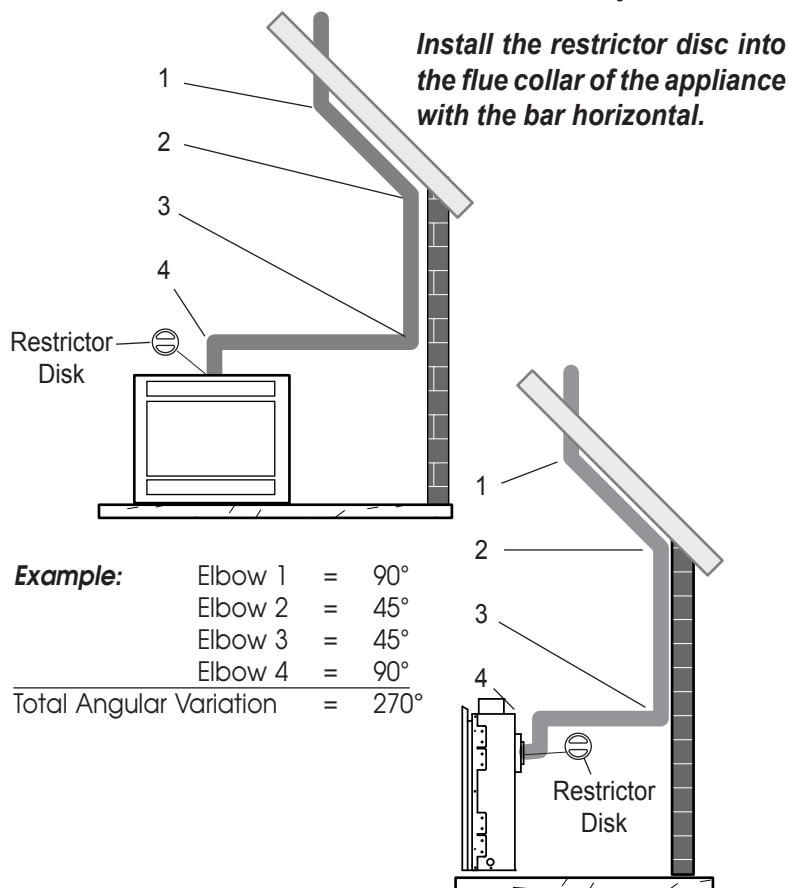
**Example:** Maximum horizontal length

No elbows = 10' (3m)

1x45° elbows = 8.5' (2.6m)

2x45° elbows = 7' (2.1m)

- A minimum of an 8' (2.5m) vertical rise is required.
- Two sets of 45°elbows offsets may be used within the vertical sections. From 0 to a maximum of 8' (2.5 m) of vent pipe can be used between elbows. See Figure 26.
- BDV/HDV Series fireplaces allow for offsets. This application will require that you first determine the roof pitch and use the appropriate starter kit.
- The maximum angular variation allowed in the system is 270°. See Figure 26.
- The minimum height of the vent above the highest point of penetration through the roof is 2' (610mm).



**Example:**

Elbow 1	=	90°
Elbow 2	=	45°
Elbow 3	=	45°
Elbow 4	=	90°
<b>Total Angular Variation</b>	<b>=</b>	<b>270°</b>

Figure 26 - Maximum Elbow Usage

## INSTALLATION FOR VERTICAL TERMINATION

1. Determine the route your vertical venting will take. If ceiling joist, roof rafters or other framing will obstruct the venting system, consider an offset. See *Figure 27* to avoid cutting load bearing members.

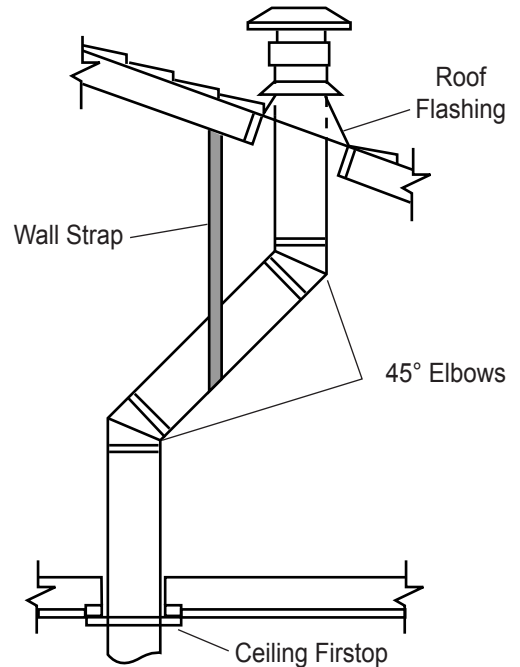
**NOTE: Pay special attention to these installation instructions for required clearances (air space) to combustibles when passing through ceilings, walls, roofs, enclosures, attic rafters, etc. Do not pack air spaces with insulation. Also note maximum vertical rise of the venting system and any maximum horizontal offset limitations. Offsets must fall within the parameters shows in *Figure 10*, page 16.**

2. Set fireplace in desired location. Drop a line plumb down from the ceiling to the position of the flue exit. Mark the center point where the vent will penetrate the ceiling. Drill a small locating hole at this point.

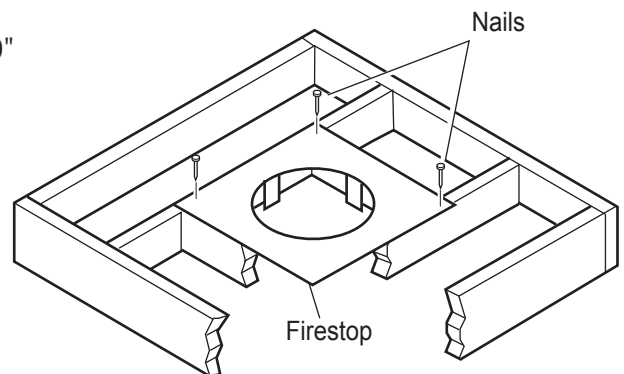
Drop a plumb line from the inside of the roof to the ceiling locating hole in the ceiling. Mark the center point where the vent will penetrate the roof. Drill a small locating hole at this point.

## FLAT CEILING INSTALLATION

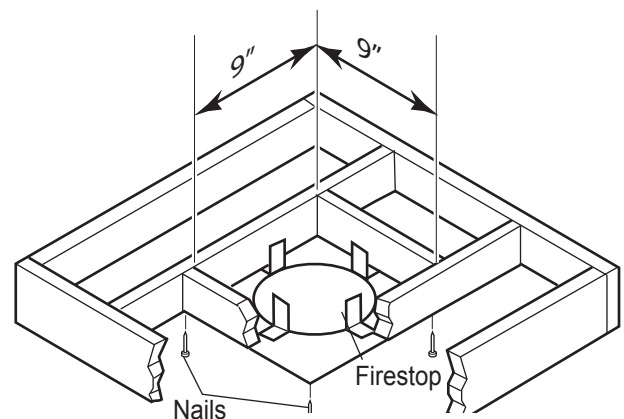
1. Cut a 9" x 9" (229mm) square hole in the ceiling using the locating hole as a center point. The opening should be framed to 9" x 9" (229mm x 229mm) inside dimensions as shown in *Figure 12*, page 17 using framing lumber the same size as the ceiling joist. If the area above the ceiling is an insulated ceiling or a room, nail firestop from the top side. This prevents loose insulation from falling into the required clearance space. See *Figure 28*. Otherwise, install firestop below the framed hole. The firestop should be installed with no less than three nails per side. See *Figure 29*.
2. Assemble the desired lengths of pipe and elbows necessary to reach from the burner system flue up through the firestop. Be sure pipe and elbow connections are fully twist-locked. See *Figure 13*, page 17.
3. Cut a hole in the roof using the locating hole as a center point. (Cover any exposed open vent pipes before cutting hole in roof). The 9" x 9" (229mm x 229mm) hole must be measured on the horizontal. Actual length may be larger depending on the pitch of the roof. There must be a 1" minimum clearance from the vent pipe to combustible materials. (Insulation should be considered a combustible material) Frame the opening as shown in *Figure 12* on page 17.



**Figure 27 - Offset with Wall Strap and 45 Elbows**



**Figure 28- If area above is a room, install firestop above framed hole as shown**



**Figure 29 - If area above is not a room, install firestop below framed hole as shown**

*Continued on next page*

## VENT INSTALLATION

4. Connect a section of pipe and extend up through the hole.

**NOTE: If an offset is needed to avoid obstructions, you must support the vent pipe every three (3) feet. Use wall straps for this purpose. See Figure 25, page 22. Whenever possible, use 45° elbows instead of 90° elbows. The 45° elbow offers less restriction to the flow of the flue gases and intake air.**

5. Place the flashing over the pipe section(s) extending through the roof. Secure the base of the flashing to the roof and framing with roofing nails. Be sure roofing material overlaps the top edge of the flashing. There must be a 1" clearance from the vent pipe to combustible materials.

6. Continue to add pipe sections until the height of the vent cap meets the minimum building code requirements.

**NOTE: You must increase vent height for steep roof pitches. Nearby trees, adjoining roof lines, steep pitched roofs, and other similar factors may cause poor draft or down-drafting in high winds. Increasing the vent height may solve this problem.**

**NOTE: If the vent pipe passes through any occupied areas above the first floor, including storage spaces and closets, you must enclose pipe. You may frame and sheetrock the enclosure with standard construction material. Make sure to meet the minimum allowable clearances to combustibles. Do not fill any of the required clearance spaces with insulation.**

## CATHEDRAL CEILING INSTALLATION

**IMPORTANT: Review all information on previous page before planning this installation. Cathedral ceiling installations can be very tricky.**

1. Remove shingles or other roof covering as necessary to cut the rectangular hole for the support box. Mark the outline of the cathedral ceiling support box on the roof sheathing using the locating hole as a center point.
2. Cut the hole  $\frac{1}{8}$ " larger than the support box outline. See Figure 30.
3. Lower the support box through the hole in the roof until the bottom of the box extends at least 2" (mm) below the ceiling. See Figure 30. Align the support box vertically and horizontally using a level. Temporarily tack the support box in place through the inside walls and into the roof sheathing.
4. Using tin snips, cut the support box from the top corners down to the roofline and fold the resulting flaps over the roof sheathing. See Figure 31. Apply a bead of non-hardening mastic around the top edges of the support box to make a seal between the box and the roof. Nail in place with roofing nails. Remove any combustible material that might be inside the support box.
5. Complete the cathedral ceiling installation by following the same procedures outlines in steps 2 through 6 for *Flat Ceiling Installation*, page 23 and above.

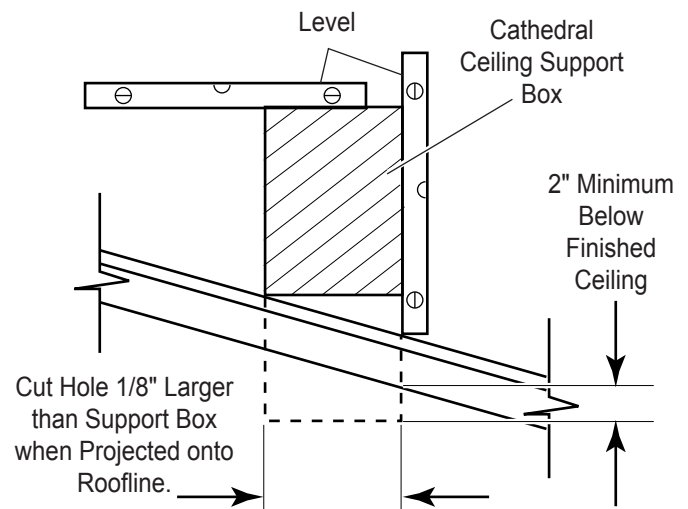


Figure 30 - Cathedral Ceiling Support Box Installation

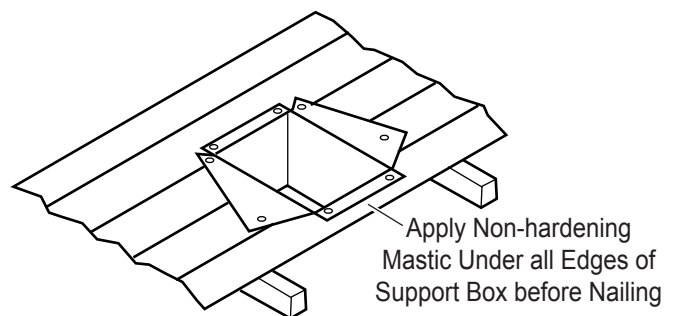


Figure 31 - Installed Cathedral Ceiling Support Box



# 3" FLEX VENT PIPE INSTALLATION

## VENT REQUIREMENTS USING EXISTING SOLID FUEL CHIMNEY

### WARNING

- Make sure the exhaust pipe on the appliance connects to the exhaust portion of the Termination Kit by clearly marking both ends of the appropriate 3" flex vent pipe.
- Do not crimp or rupture liner when bending it into chimney offsets.

- Vent must meet all vent manufacturer's requirements when installed.
- Make sure you have the following before installing unit:
  - 3" UL 1777 Listed gas liner for air inlet and exhaust (Q-ty: 2 pcs).
  - DuraVent Direct Vent Pro: 46DVA-VCH, 46DVA-GK, 46DVA-GCL

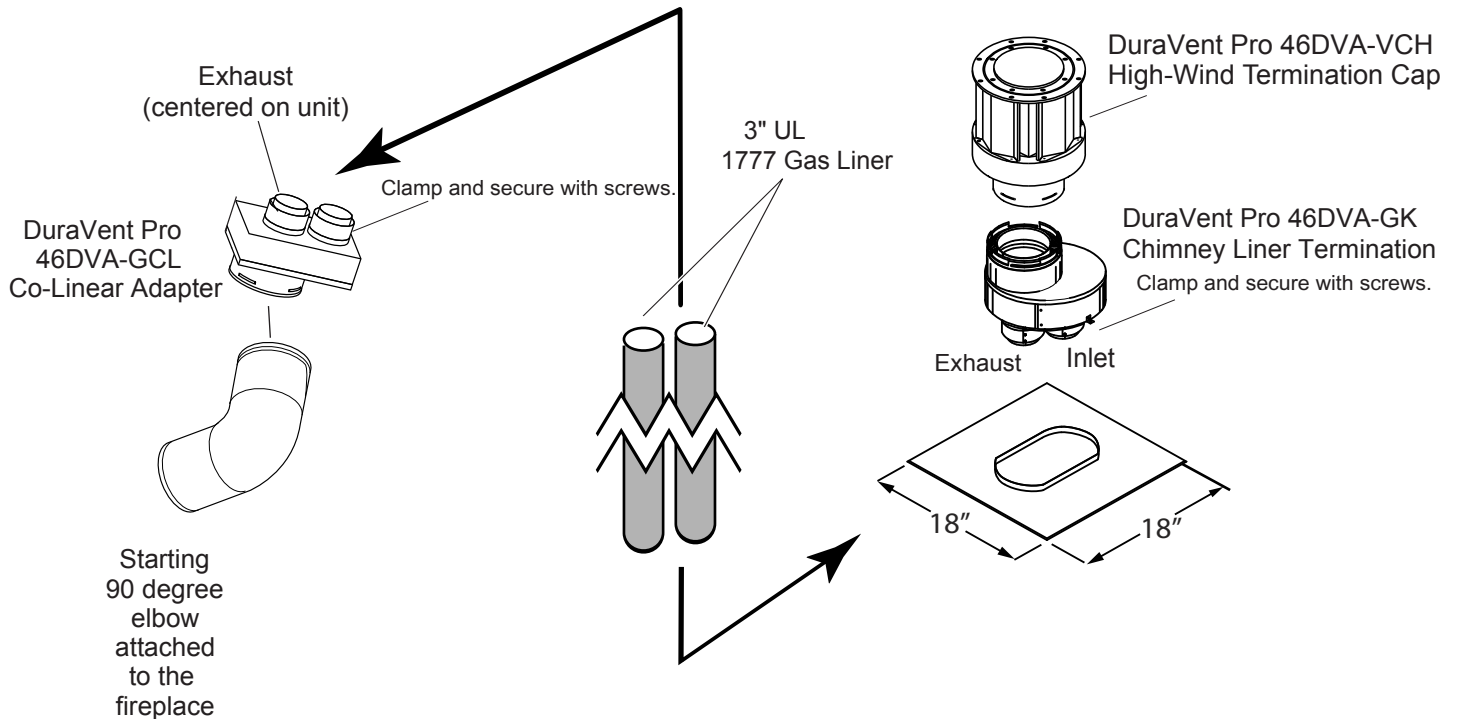
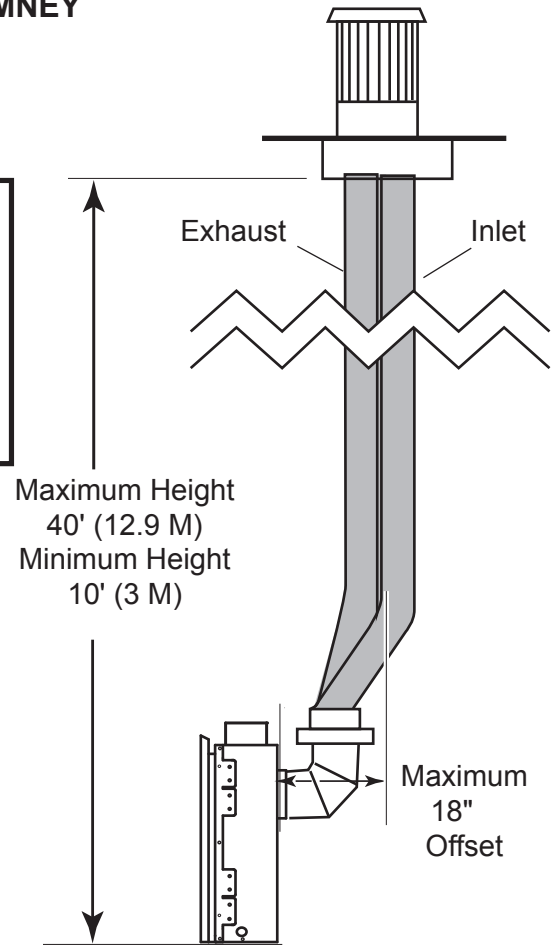
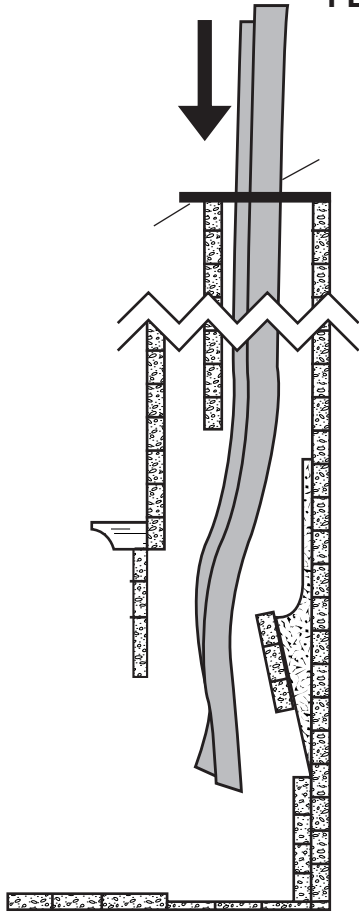


Figure 32 - Connecting Flex Pipes to Fireplace

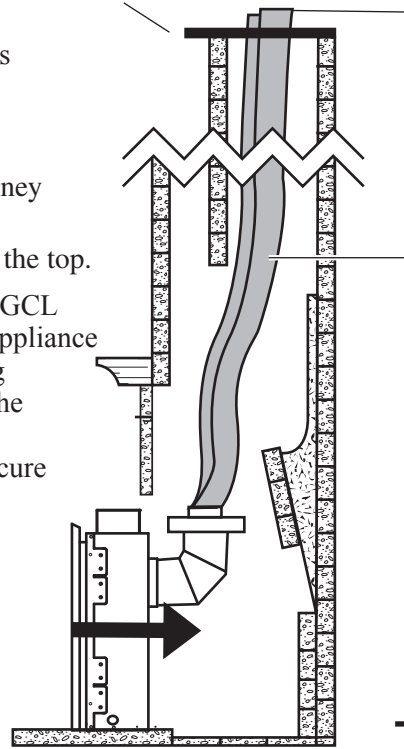
# 3" FLEX VENT PIPE INSTALLATION

## FLEX VENT INSTALLATION



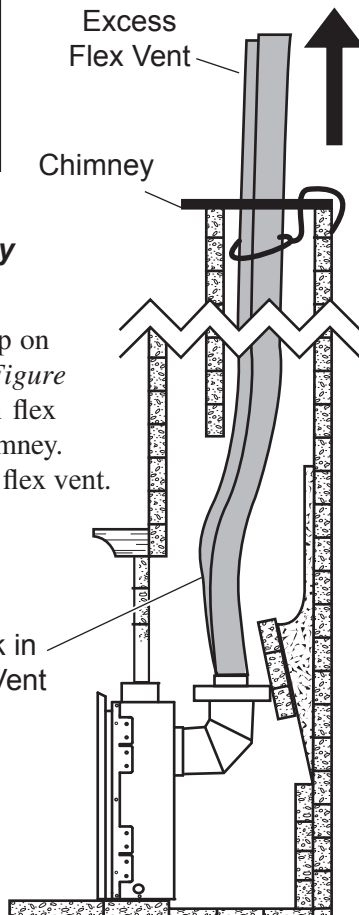
**Figure 33a - Placing Flex Pipes into Chimney**

2. Have the fireplace and all parts required for installation ready (see page 25).
3. Route flex vent through chimney from above (See Figure 33a). Leave an extra 3" (914mm) at the top.
4. Attach the connector 46DVA-GCL to the fireplace. Position the appliance inside of the fireplace opening and attach both flex vents to the GCL connector. Clamp both vent pipes and secure with screws (See Figure 33b).



**Figure 33b - Attaching Flex Vent to 46DVA-GCL**

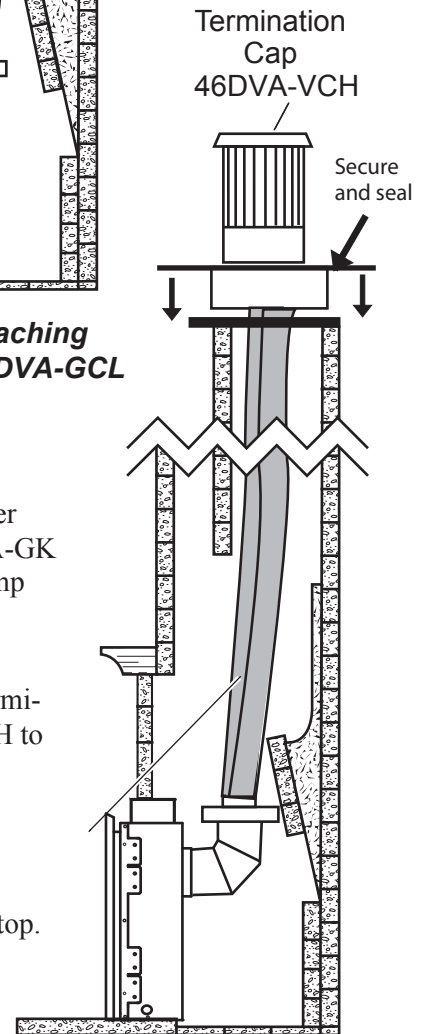
5. Have someone pull up on the excess flex vent (see Figure 33c). Temporarily attach flex vent to the top of the chimney. Remove any slack in the flex vent.



**Figure 33c - Pulling On Excess Flex Vent**

6. Connect a Chimney Liner Termination Kit 46DVA-GK and both flex lines. Clamp and secure with screws. *Figure 33d.*
7. Attach a High-Wind Termination Cap 46DVA-VCH to 46DVA-GK.

9. Secure and seal the flashing to the chimney top.



**Figure 33d - Chimney Termination.**

## CHECK GAS TYPE

Use proper gas type for the fireplace you are installing. If you have conflicting gas type, do not install fireplace. See dealer where you purchased the fireplace for proper fireplace for your gas type or conversion kit.

## INSTALLING GAS PIPING TO FIREPLACE / BURNER SYSTEM LOCATION

### WARNING

A qualified installer or service person must connect appliance to gas supply. Follow all local codes.

### CAUTION

For propane/LP units, never connect fireplace directly to the propane/LP supply. This burner system requires an external regulator (not supplied). Install the external regulator between the burner system and propane/LP supply.

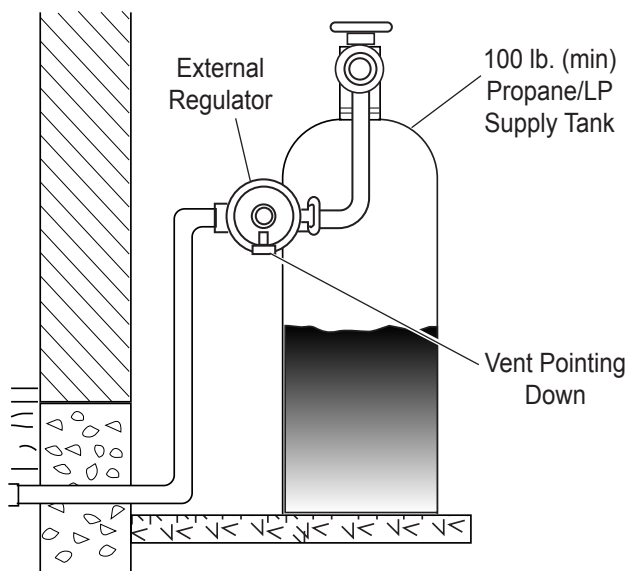
## INSTALLATION ITEMS NEEDED

Before installing fireplace and burner system, make sure you have the items listed below.

- External regulator (supplied by installer)
- Piping (check local codes)
- Sealant (resistant to propane/LP gas)
- Equipment shutoff valve\*
- Test gauge connection\*
- Sediment trap (recommended)
- Tee joint
- Pipe wrench
- approved flexible gas line with gas connector (if allowed by local codes — not provided)

\* A CSA design-certified equipment shutoff valve with  $\frac{1}{8}$ " NPT tap is an acceptable alternative to test gauge connection. Purchase the CSA design-certified equipment shutoff valve from your dealer.

For propane/LP connections only, the installer must supply an external regulator. The external regulator will reduce incoming gas pressure. You must reduce incoming gas pressure to between 11 and 13 inches of water. If you do not reduce incoming gas pressure, burner system regulator damage could occur. Install external regulator with the vent pointing down as shown. Pointing the vent down protects it from freezing rain or sleet.



*External Regulator with Vent Pointing Down (Propane/LP Only)*

### CAUTION

Use only new black iron or steel pipe. Internally tinned copper or copper tubing can be used per National Fuel Code, section 2.6.3, providing gas meets hydrogen sulfide limits, and where permitted by local codes. Gas piping system must be sized to provide minimum inlet pressure (listed on data plate) at the maximum flow rate (BTU/hr). Undue pressure loss will occur if the pipe is too small.

When using copper or flex connectors use only fittings approved for gas connections. The gas control inlet is  $\frac{3}{8}$ " NPT.

## FIREPLACE INSTALLATION

### WARNING

Only persons licensed to work with gas piping may make the necessary gas connections to this appliance.

### CAUTION

A manual shutoff valve must be installed upstream of the appliance. Union tee and plugged  $\frac{1}{8}$ " NPT pressure tapping point should be installed upstream of the appliance. See Figure 33.

**NOTE :** The gas line connection may be made using  $\frac{1}{2}$ " rigid tubing or an approved flex connector. Since some municipalities have additional local codes it is always best to consult your local authorities and the current edition of the National Fuel Gas Code ANSI.Z223.1, NFPA54. In Canada CAN/CGA-B149 (1 or 2) Installation Code.

A listed manual shutoff valve must be installed upstream of the appliance. Union tee and plugged  $\frac{1}{8}$ " NPT pressure tapping point should be installed upstream of the appliance.

**IMPORTANT:** Install main gas valve (equipment shutoff valve) in an accessible location. The main gas valve is for turning on or shutting off the gas to the fireplace.

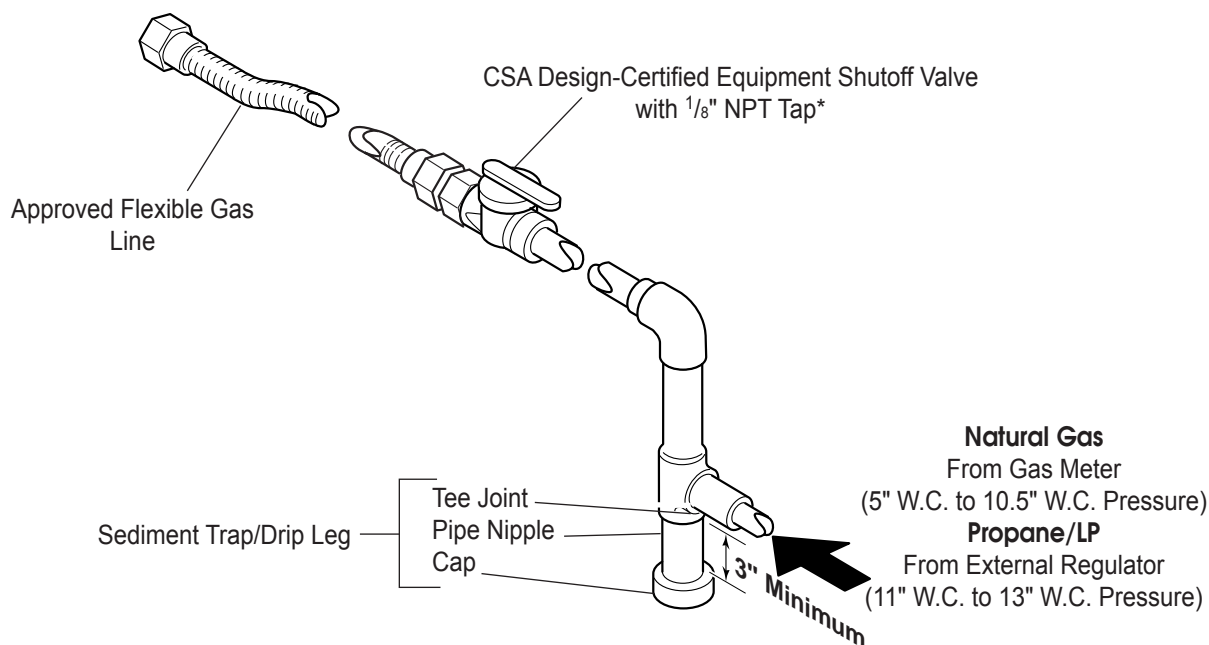
Check your building codes for any special requirements for locating equipment shutoff valve to fireplaces.

Apply pipe joint sealant lightly to male threads. This will prevent excess sealant from going into pipe. Excess sealant in pipe could result in clogged burner system valves.

We recommend that you install a sediment trap/drip leg in supply line as shown. Locate sediment trap/drip leg where it is within reach for cleaning. Install in piping system between fuel supply and burner system. Locate sediment trap/drip leg where trapped matter is not likely to freeze. A sediment trap traps moisture and contaminants. This keeps them from going into the burner system gas controls. If sediment trap/drip leg is not installed or is installed wrong, burner system may not run properly.

### CAUTION

Use pipe joint sealant that is resistant to liquid petroleum (LP) gas.



## CHECKING GAS PRESSURE

1. Check gas type. The gas supply must be the same as stated on the appliance's rating decal. If the gas supply is different from the fireplace, STOP! Do not install the appliance. Contact your dealer immediately.
2. To ease installation, a 18" long flex line with manual shut-off valve has been provided with on this appliance. Install and attach 1/2" gas line onto shut-off valve.
3. After completing gas line connection, purge air from gas line and test all gas joints from the gas meter to the fireplace for leaks. Use a solution of 50/50 water and soap or a gas sniffer.
4. To check gas pressures at valve, turn captured screw counter clockwise 2 or 3 turns and then place tubing to pressure gauge over test point. Turn unit to high. See *Figure 34*. After taking pressure reading, be sure and turn captured screw clockwise firmly to reseal. Do not over torque. Check test points for gas leaks.

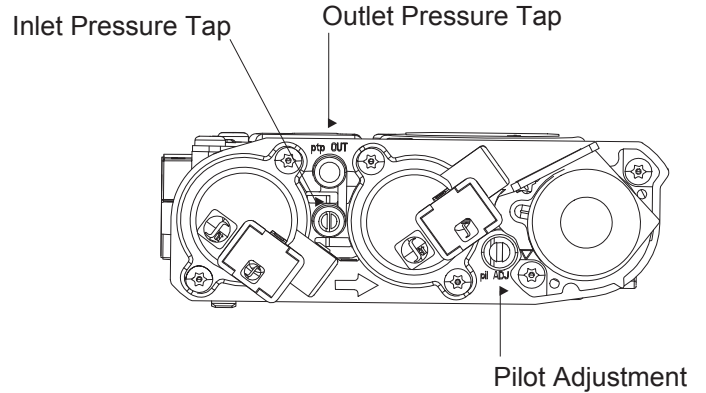


Figure 34 - Gas Pressure Check at Gas Valve

### WARNING

Do not use open flame to check for gas leaks.

5. The appliance and its appliance main gas valve must be disconnected from the gas supply piping system during any pressure testing of that system at test pressures in excess of 1/2 psi (3.5 kPa). The appliance must be isolated from the gas supply piping system by closing its equipment shutoff valve during any pressure testing of the gas supply piping system at test pressures equal to or less than 1/2 psi (3.5 kPa).

## ELECTRICAL INSTALLATION

### ELECTRICAL WIRING

This fireplace requires 110V AC electrical supply for normal operation in order to power up blower and 7V DC adapter which is required to operate Remote Control. However, during power outage situation, its electronic system (DFC board) can be temporarily powered with 6V DC battery pack (4 AA batteries).

### WARNING

Electrical connections should only be performed by a qualified, licensed electrician. Main power must be off when connecting to main electrical power supply or performing service. All wiring shall be in compliance with all local, city, and state codes. The appliance, when installed, must be electrically grounded in accordance with local codes, or in the absence of local codes, with the *National Electrical Code ANSI/ NFPA 70 (latest edition)* and *Canadian Electrical Code, CSA C22.1*.

### CAUTION

Label all wires before disconnecting when servicing controls. Wiring errors can cause improper and dangerous operation.

## GLASS FRAME REMOVAL

1. Release two clamps on top of fireplace. See *Figure 36*.
2. Tilt glass frame out and lift glass frame up until it clears bottom channel of fireplace.
3. Set glass frame aside.

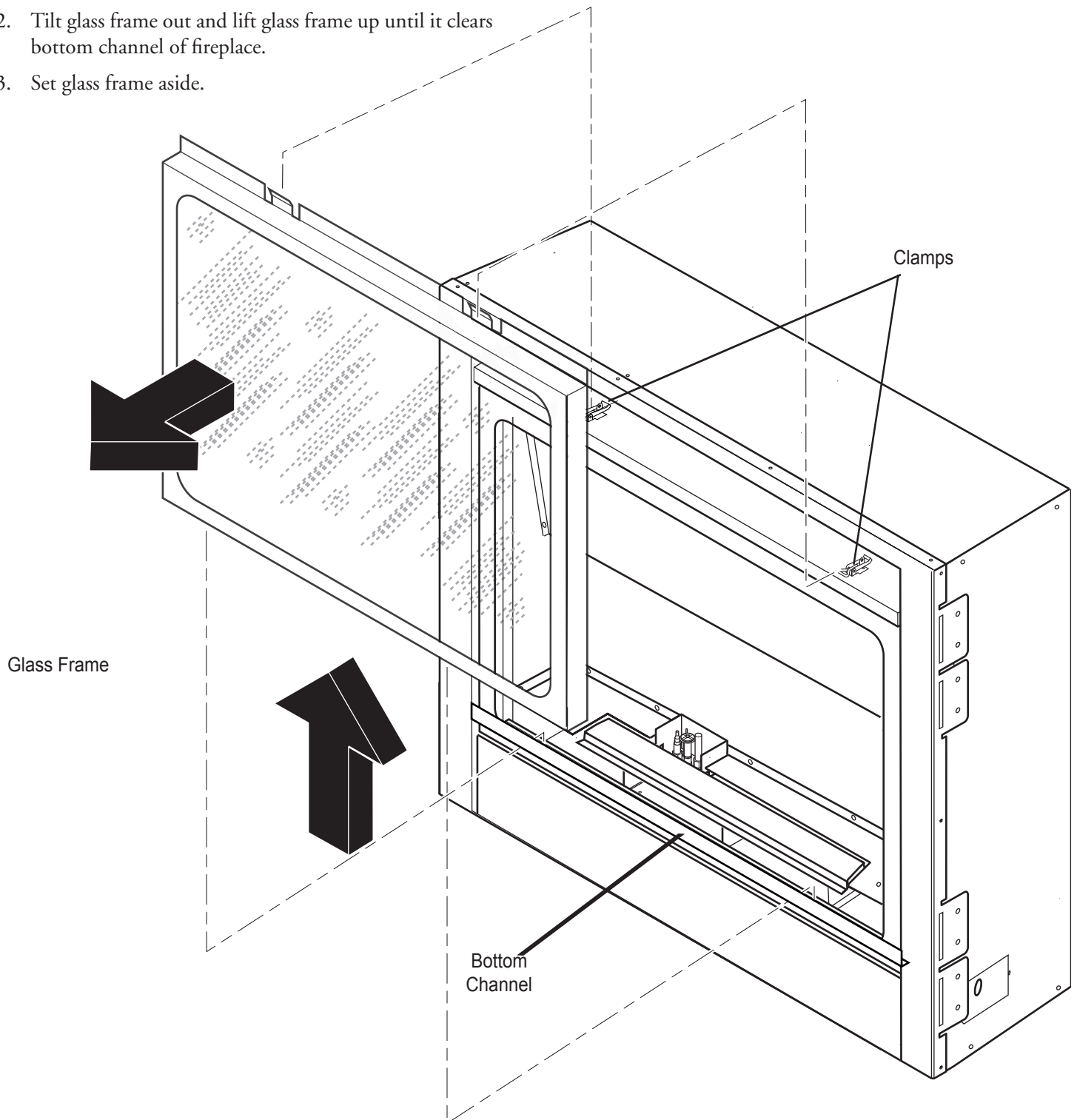


Figure 36 - Removing Glass Frame

**IMPORTANT:** Never fire up the fireplace without proper media (rock wool or glass) covering the top of the burner. Doing so can cause damage of the burner and will void the manufacturer's warranty. Only use approved media ordered from the manufacturer (see parts list for options).

### GLASS BURNER MEDIA PLACEMENT

Place provided glass media on top of the burner and rear supports as shown.

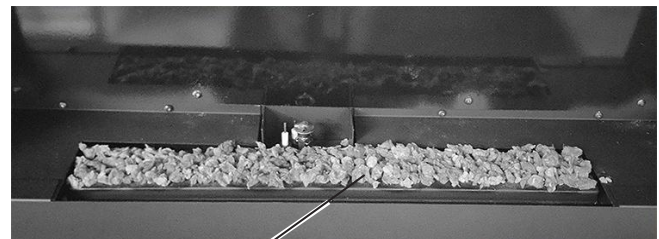


### ROCK WOOL PLACEMENT (NO OPTIONAL LOGS)

1. Place rock wool on burner to provide glowing embers. For best results, pull the rock wool apart into pieces the size of a nickel or smaller.
2. Distribute one layer of rock wool to cover the entire burner. Fill front gap between grate and burner. See *Figure 37*.

#### **WARNING**

Do not use the entire bag of rock wool to cover the burner. This could cause the flame to burn poorly and may lead to sooting.



Cover burner area with Rock Wool

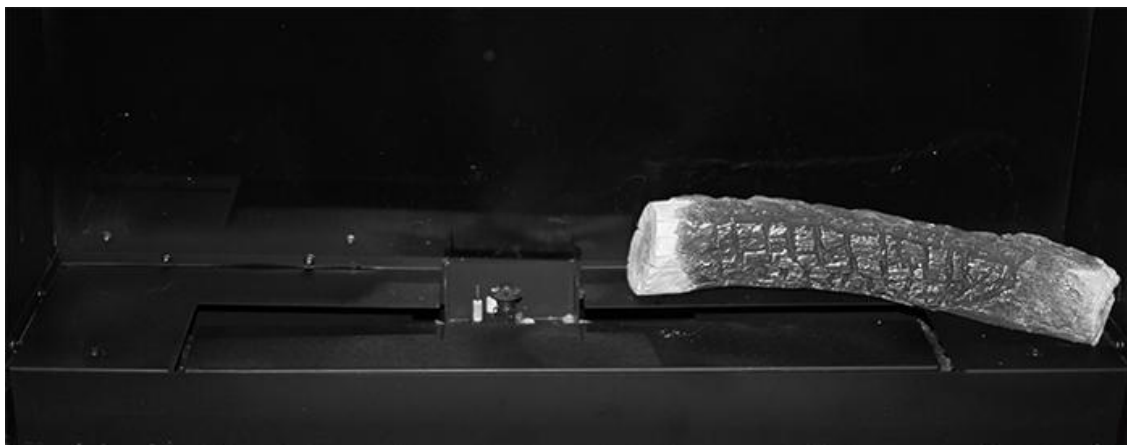
*Figure 37 - Placement of Rock Wool on Burner*

3. Light unit and after 15 minutes, check burner flame and glow. See *Burner Flame*, page 37.  
If the flame is blue and only in the center, turn off unit and let cool. If any ports are not covered with media, add more rock wool and check flame again. Too much media can disturb the flame and cause sooting on the glass. Save left over rock wool to refresh when cleaning later.

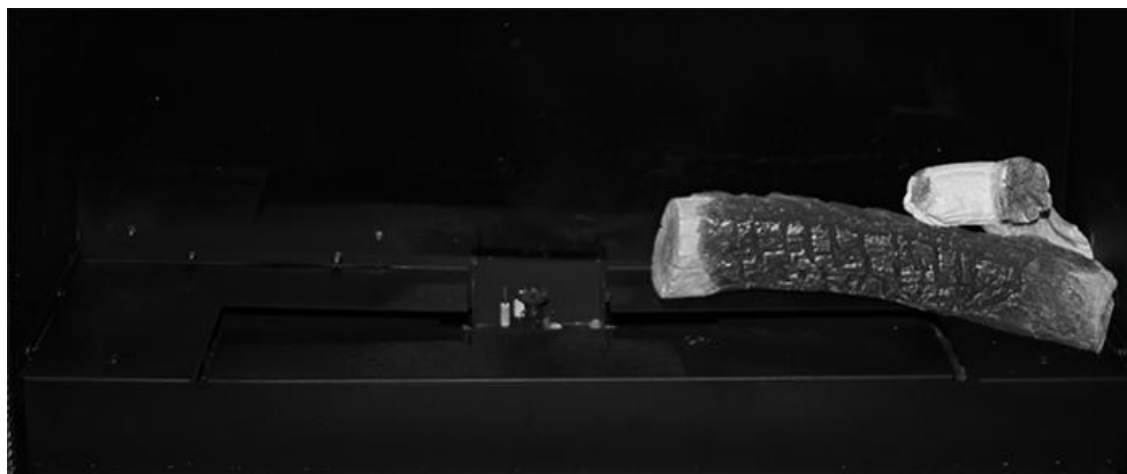
## FINAL INSTALLATION *(continued)*

### OPTIONAL LOG PLACEMENT

1. Place right side logs (#1 and #2) on the rear log support of the firebox according to *Figure 38* and *39*.



*Figure 38 - Placing log #1*



*Figure 39 - Placing log #2*

2. Place middle log (#3) over the pilot area as shown on *Figure 40*.



*Figure 40 - Placing log #3*



- Place left side logs (#4 and #5) on the rear log support of the firebox according to Figures 41 and 42.



**Figure 41 - Placing log #4**



**Figure 42 - Placing log #5**

- Cover top of the burner with small pieces of rock wool as shown on Figure 43.



**Figure 43 - Placing rockwool**

*Continued on next page.*

## FINAL INSTALLATION *(continued)*

5. Light unit and after 15 minutes, check burner flame and glow. See *Burner Flame*, Page 38.

If the flame is blue and only in the center, turn off unit and let cool. After unit cools, remove logs. If any burner holes are **not covered**, add more rock wool to the burner. Replace logs and check flame again. Save left over rock wool to refresh when cleaning later. Too much rock wool can disturb the flame and cause sooting on the glass or optional logs.

## SAFETY SCREEN INSTALLATION

**WARNING:** A barrier (safety screen) designed to reduce the risk of burns from the hot viewing glass is provided with this appliance and shall be installed for the protection of children and other at-risk individuals.

**IMPORTANT:** Safety Screen must be in place when the fireplace is in operation. If the barrier becomes damaged, the barrier shall be replaced with the manufacturer's barrier for this appliance. Any safety screen, guard, or barrier removed for servicing the appliance, must be replaced prior to operating the appliance.

### SAFETY SCREEN INSTALLATION



STEP 1: Align holes on two upper tabs of the safety screen with two vertical studs located on top of the firebox next to glass door latches.



STEP 2: Let safety screen to rest on the studs. Make sure that the screen is securely positioned on the studs.

## FOR YOUR SAFETY READ BEFORE OPERATING

### WARNING

If you do not follow these instruction exactly, a fire or explosion may result causing property damage, personal injury or loss of life.

- A. This appliance is equipped with an ignition device which automatically lights the pilot. Do not try to light the pilot by hand.
- B. BEFORE OPERATING smell all around the appliance area for gas. Be sure to smell next to the floor because some gas is heavier than air and will settle on the floor.

### WHAT TO DO IF YOU SMELL GAS:

- Do not try to light any appliance.
  - Do not touch any electric switch; do not use any phone in your building.
  - Immediately call your gas supplier from a neighbor's phone.  
Follow the gas supplier's instructions.
  - If you cannot reach your gas supplier, call the fire department.
- C. Main gas valve in this appliance is not serviceable and does not have any control knobs or switches to operate. Do not try to repair or modify the valve as it may result in a fire or explosion. Call a qualified service technician if you have any safety concerns.
- D. Do not use this appliance if any part of it has been under water. Immediately call a qualified service technician to inspect the appliance and to replace any part of the control system and any gas control that has been under water.

## LIGHTING FOR THE FIRST TIME

### INITIAL LIGHTING

Purge air from the supply line as follows:

- Open main shutoff valve.
- Unscrew main pressure test point.
- Leave inlet test screw open until gas comes in.
- When gas is flowing, tighten inlet screw immediately.

### DANGER

Never use an open flame to check for gas leak.

### LEAK TESTING

1. Follow the pipe from the gas supply line connection to the gas valve. Check connection for leaks with soap and water mixture.
2. Next check for gas leaks at the burner with soap and water mixture.
3. Check the pilot for gas leaks with soap and water mixture.

## LIGHTING FOR THE FIRST TIME

### APPROVED LEAK TESTING METHOD

You may check for gas leaks with the following methods only:

- Soap and water solution
- An approved leak testing spray
- Electronic sniffer

### DANGER

Never use an open flame to check for gas leak.

### WARNING

If using a soap and water solution to test for leaks, DO NOT spray solution onto electronic parts.

*NOTE: Remove any excessive pipe compound from the connections. Excessive pipe compound can set off electronic sniffers.*

Check for gas leaks in each of the following locations:

- Pipe from the gas supply line connection to the gas valve
- Burner connections, pilot
- All joints on valve and control body
- Field made joints / gas shutoff valve
- Factory made joints, each joint and connection

## OPERATING INSTRUCTIONS

1. **STOP! Read the safety information on previous page.**
2. Turn off all electric power to the appliance.
3. Do not attempt to light the pilot by hand.
4. Open access door of the appliance.
5. Turn the gas control manual valve to the full OFF position.
6. Wait five (5) minutes to clear out any gas. Then smell for gas, including near the floor.  
**If you smell gas, STOP! Follow "B" in the safety information (see page 35).**  
**If you don't smell gas, go to the next step.**
7. Turn the gas control manual valve to the ON position.
8. Plug supplied 7V DC adapter into 110V power outlet.
9. Connect the wire to the DC input plug at the unit.
10. Lift and remove Heat Shield covering electronic components inside of the unit (*see Illustrated Parts List, page 13*)
11. Make sure that the slider switch of the Receiver is in "REMOTE" (middle) position.
12. Close access door of the appliance.
13. Read and follow instructions in how to set up and to use remote control described in supplied "INSTALLATION AND OPERATING INSTRUCTIONS FOR SKYTECH MODEL: 1001 T/LCD-A".
14. If the appliance will not operate, follow the instructions "To Turn Off Gas To Appliance" and call your service technician or gas supplier.

**TO TURN OFF GAS TO APPLIANCE**

1. Turn off all electric power to the appliance if service is to be performed.  
Unplug 7V DC adapter from the power outlet.
2. If necessary, open access door of the appliance to access manual shutoff valve on gas line.
3. Turn the gas control manual valve to the full OFF position.

## CLEANING AND MAINTENANCE

### WARNING

Turn off gas before servicing fireplace. It is recommended that a qualified service technician perform these check-ups at the beginning of each heating season.

### BURNER, PILOT AND CONTROL COMPARTMENT

Keep the control compartment, logs, and burner areas surrounding the logs clean by vacuuming or brushing at least twice a year. Make sure the burner porting, pilot air opening and burner air opening are free of obstructions at all times.

#### PILOT FLAME

The flames from the pilot should be visually checked as soon as the heater is installed and periodically during normal operation. **The pilot flame must always be present when the fireplace is in operation.** See Figure 39. The pilot flame has two distinct flames, one engulfing the flame sensor, and the other reaching to the main burner.

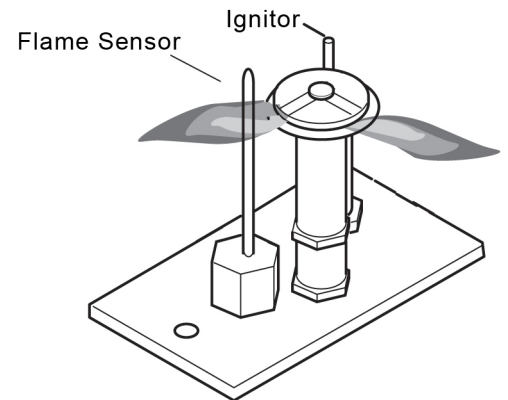


Figure 39 - Pilot Flame

#### BURNER

Inspect area around the injector. Remove any lint or foreign material with a brush or vacuum.

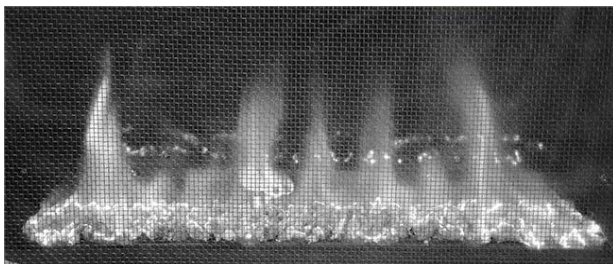


Figure 40 - Burner Flame Appearance

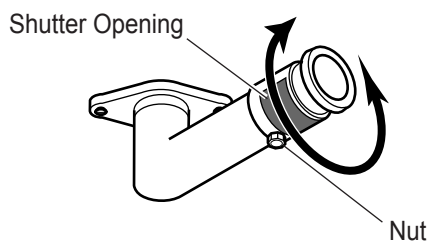


Figure 41 - Adjusting Air Shutter

#### BURNER FLAME

The flames from the burner should be visually checked as soon as the heater is installed and periodically during normal operation. In normal operation, at full rate, and after operating for about 15 to 30 minutes, the flame should be yellow and 4-6" tall. See Figure 40.

If the flame is blue and only in the center, turn off unit and let cool. After unit is cool, remove logs and check to make sure the back holes in the burner are covered with rock wool. If the back holes are clear, add more rock wool to the center of the burner. Replace optional logs.

**NOTE:** The type of installation, vent system configuration, and wind effects may cause the flame patterns to vary.

#### AIR SHUTTER ASSEMBLY

Air shutter is adjusted at factory: Fully closed for natural gas and 5/16" open for propane gas.

If necessary, change this by loosening nut and opening or closing the air shutter more. See Figure 41.

## VENT SYSTEM

The fireplace and venting system should be inspected before initial use and at least annually by a qualified field service person. Inspect the external vent cap on a regular basis to make sure that no debris is interfering with the airflow. Inspect entire venting system to ensure proper function.

If the vent system is disassembled for any reason, it must be reassembled and secured before the appliance can be used.

## GLASS DOOR

Thoroughly clean the inside of the glass door after using the fireplace for ten hours. Periodically clean the glass door as necessary.

When cleaning the glass, remember:

- **Do not remove the glass when hot.** Allow glass to cool before removal.
- NEVER use abrasive materials.
- Keep children and pets a safe distance away.
- Never operate the fireplace without the glass door properly secured.
- Never operate the fireplace if the glass is broken.
- Replace any glass that is chipped, cracked, or broken. Replacement glass door assemblies **MUST** be supplied by the fireplace manufacturer – **No substitute materials may be used.**
- Handle glass door with care to avoid striking or scratching it on hard objects.

To clean glass door, follow “Glass Removal” procedure outlined in the *Final Installation* section. Film deposit on the inside of the glass should be cleaned off using a nontoxic, non-corrosive, non-abrasive, mild-cleaning solution. Simply apply an adequate amount to the glass and wipe off with a damp cloth. After all maintenance has been completed, re-install glass door.

## LOGS

Leave logs installed in the fireplace for cleaning. Vacuum surface of the logs with a brush attachment. If logs must be removed for cleaning, handle carefully by holding gently at each end. Gloves are recommended to prevent skin irritation from ceramic fibers. If skin becomes irritated, wash gently with soap and water. Vacuum surface of logs with brush attachment or brush logs with a soft bristle brush (i.e. clean, dry paintbrush). To place logs back in the fireplace, see “Log Placement” found in the *Final Installation* section.

**NOTE:** Do not use cleaning fluid to clean logs.

## ROCK WOOL

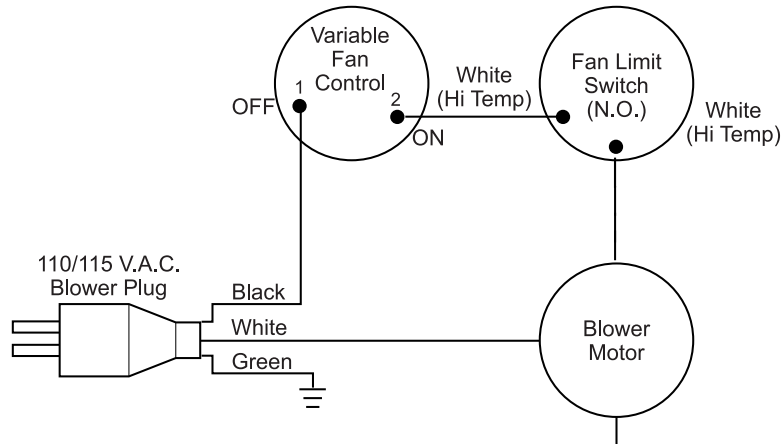
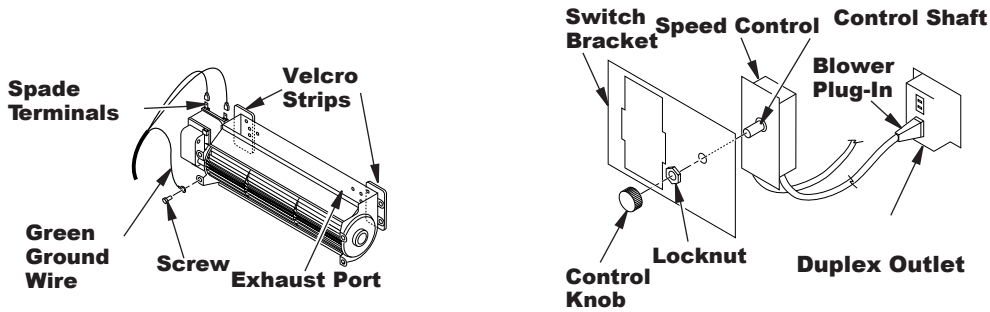
Replace or add rock wool as required following installation instructions in the *Final Installation* section of this manual.

**More frequent cleaning may be required due to excessive lint from carpeting, bedding material, etc. It is imperative that control compartments, burners and circulating air passageway of the appliance be kept clean.**

# BLOWER ELECTRICAL DIAGRAM AND INSTALLATION INSTRUCTIONS

## FAN ASSEMBLY DIAGRAMS

**NOTE:** *Unplug power cord before servicing. The blower is attached to the insert bottom and back with Velcro. To remove blower for servicing, pull away from Velcro and disconnect wires.*



**Figure 55 - Fan wire assembly diagram**

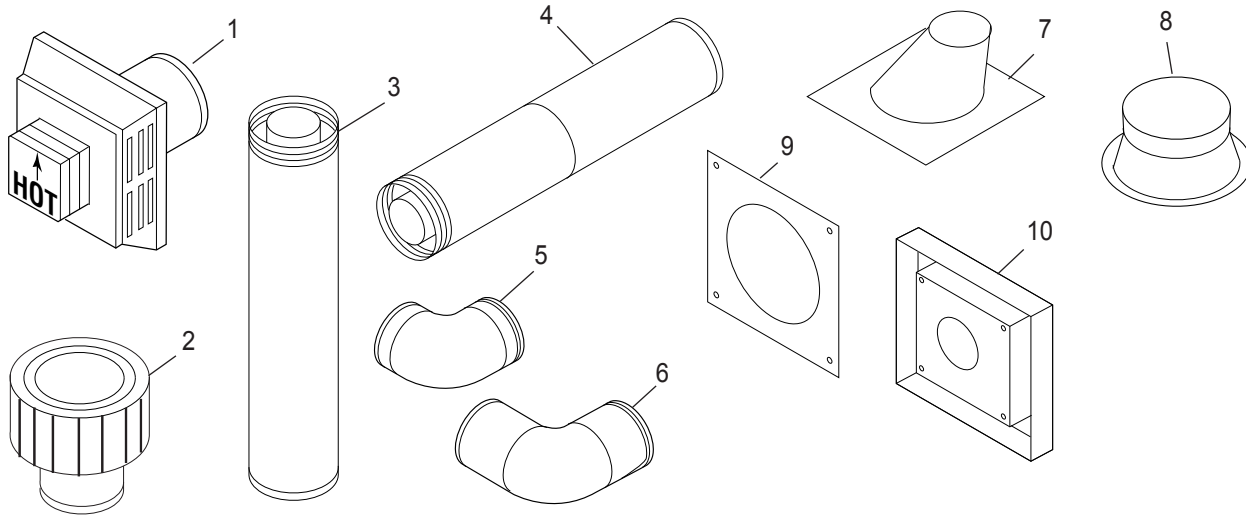
**CAUTION**

Label all wires prior to disconnection when servicing controls. Wiring errors can cause improper and dangerous operation. Verify proper operation after servicing.



# ILLUSTRATED PARTS LIST

## RIGID VENT COMPONENTS

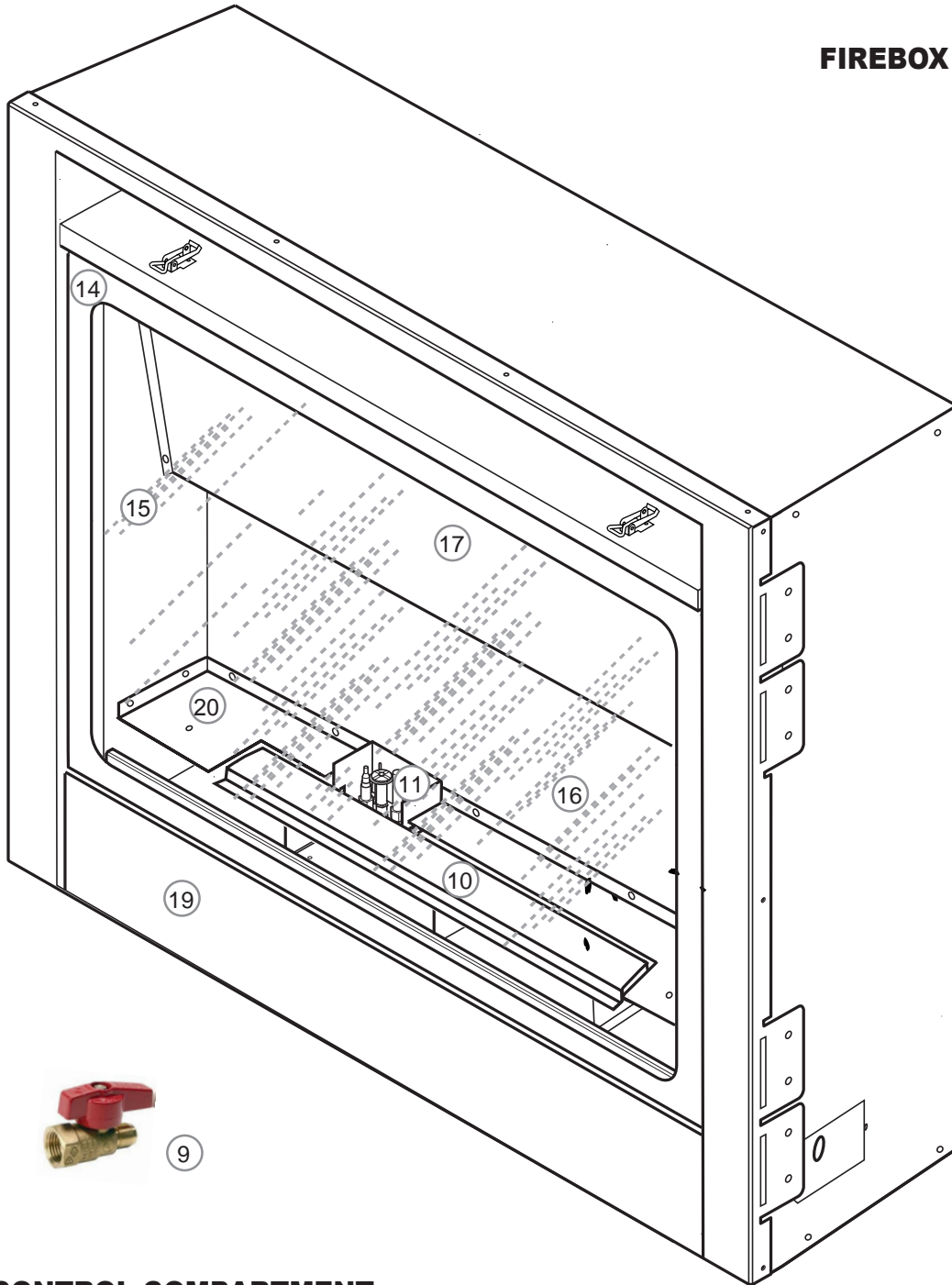


Item	Qty/Box	Description	Simpson Duravent Direct Vent Pro or Woodbridge Part #
1	1	Simpson Horizontal High Wind Horizontal Termination Cap	46DVA-HC
2	1	High Wind Vertical Termination	46DVA-VCH
3	6	6" Pipe Length	46DVA-06
3	6	9" Pipe Length	46DVA-09
3	6	12" Pipe Length	46DVA-12
3	6	24" Pipe Length	46DVA-24
3	6	36" Pipe Length	46DVA-36
3	6	48" Pipe Length	46DVA-48
4	6	8" Pipe, Adjustable	46DVA-08A
4	6	16" Pipe, Adjustable	46DVA-16A
5	6	45° Elbow	46DVA-E45
6	6	90° Elbow	46DVA-E90
7	6	Flashing, 0/12 To 6/12 Roof Pitch	46DVA-F6
8	6	Storm Collar	46DVA-SC
9	6	Firestop	46DVA-FS
10	1	Vinyl Siding Standoff	46DVA-VSS

NOTE: This model is also approved for use with ICC, Metal Fab and Selkirk Direct Vent systems.

# ILLUSTRATED PARTS LISTS

## FIREBOX COMPONENTS



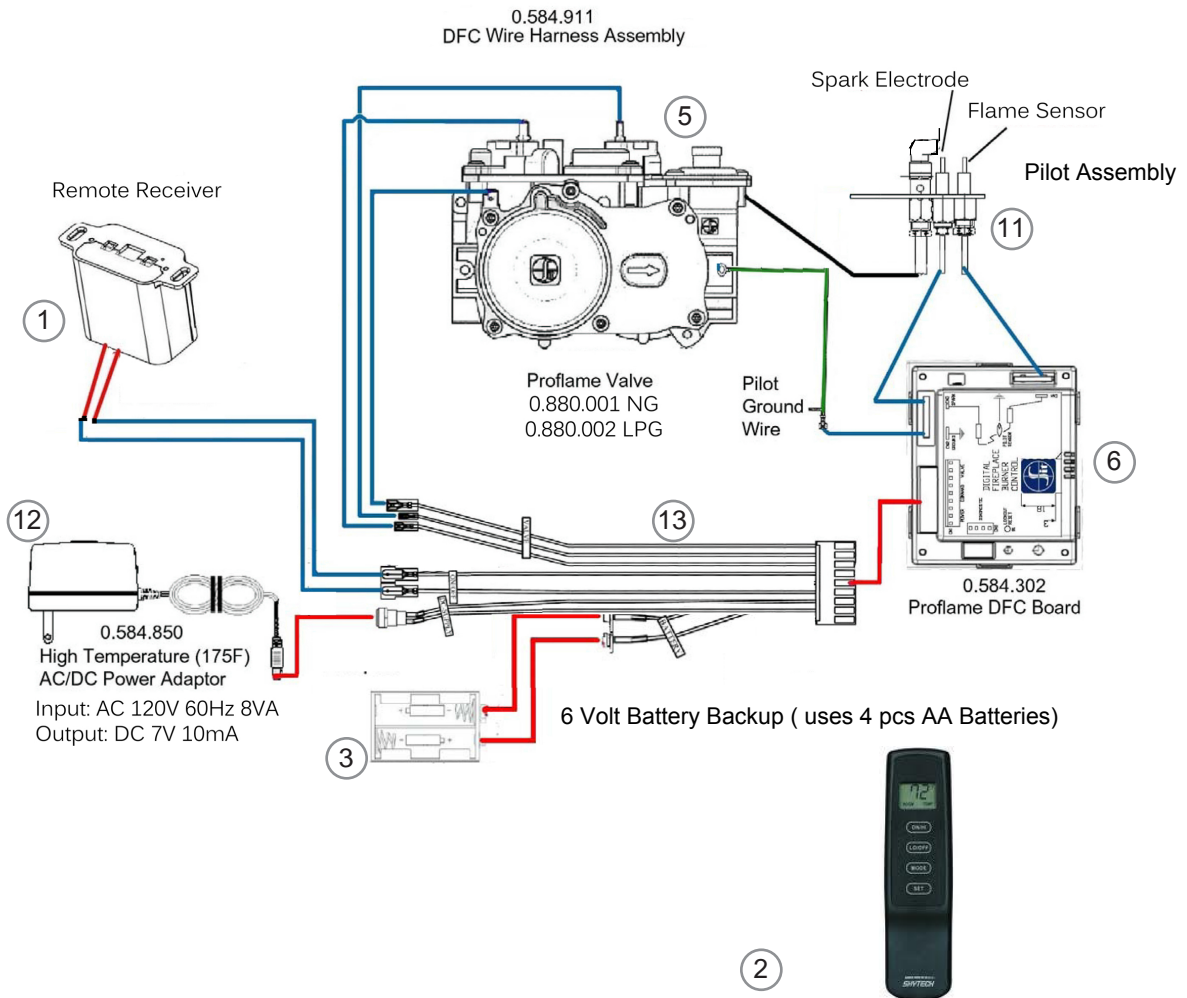
## CONTROL COMPARTMENT



**Proflame Wiring Diagram**

This diagram shows replaceable SIT Proflame parts used in your fireplace

**ProFlame System Configuration**  
(880 ON/OFF Wiring Diagram)



## ILLUSTRATED PARTS LISTS *(continued)*

### PARTS LIST

This list contains replaceable parts used in your firebox.  
 All replacement parts should be ordered from your installer or from Woodbridge Fireplace Inc.  
 at 1-905-564-3001 or on-line at [www.woodbridgefp.com](http://www.woodbridgefp.com)

KEY No.	PART NUMBER		DESCRIPTION	QTY
	BDV (HDV) 1400NE	BDV (HDV) 1400PE		
-	H100018(22)	H100019(23)	ORIFICE (NOT SHOWN)	1
1	PCB-R	PCB-R	REMOTE CONTROL RECEIVER	1
2	PCB	PCB	REMOTE CONTROL	1
3	H100139	H100139	6 Volt BATTERY PACK	1
4	C100010	C100010	18" FLEX CONNECTOR WITH SHUTOFF VALVE	1
5	R100026	R100027	MAIN GAS VALVE	1
6	H100142	H100142	ELECTRONIC CONTROL DFC BOARD	1
7	A100014	A100014	THERMOSTAT, BLOWER WITH SPEED CONTROL	1
8	F200022	F200022	VALVE BRACKET	1
9	F200066	F200066	SUPPLIED 3/8" SHUT-OFF VALVE	1
10	W100013	W100013	BURNER ASSEMBLY	1
11	C200003	C200004	PILOT ASSEMBLY	1
12	H100140	H100140	7V 10mA DC ADAPTER	1
13	H200011	H200011	GTMFS WIRE HARNESS	1
14	A100026(H)	A100026(H)	GLASS DOOR ASSEMBLY	1
15	W100017	W100017	SAFETY SCREEN	1
16	S100256	S100256	ENAMELED REAR PANEL	1
17	S100253	S100253	TOP FLUE BAFFLE	1
18	S100247	S100247	OUTER FACE	1
19	S100252	S100252	BOTTOM LOUVER ASSEMBLY	1
20	S100250	S100250	INNER TRAY/LOG SUPPORT	1
--	M100507	M100507	LOG SET (optional), NOT SHOWN	1

**⚠ WARNING: Turn off the unit and let cool before servicing. Only a qualified service person should service and repair this appliance.**

*Note:* All troubleshooting items are listed in order of operation.

SYMPTOM	POSSIBLE CAUSE	ACTION
<b>1.</b> Spark ignitor will not light pilot after repeated triggering of piezo.	A. Wire disconnected.  B. Defective ignitor.  C. No gas or low gas pressure.  D. No Propane/LPG in tank	A. Open door and check to make sure wire is connected to ignitor. Check wiring connections at the DFC module and gas valve.  B. Check for spark at electrode and pilot. If no spark and electrode wire is properly connected, replace pilot assembly.  C. Check remote/manual shut off valve from fireplace. Low pressure can be caused by bent lines, restricted lines, low pressure line pressure. Consult with plumber or gas supplier.  D. Check Propane/LPG tank. Refill tank.
<b>2.</b> Pilot will not stay lit after carefully following lighting instructions.	A. Defective pilot sensor.  B. Defective DFC module.	A. Check that pilot flame impinges on flame sensor. Clean and/or adjust pilot for maximum flame impingement. Ensure sensor is clean. Ensure that the sensor wiring connected to DFC module. If no success, replace pilot assembly.  B. If ignitor continues to spark after pilot is lit, replace the module.
<b>3.</b> Frequent pilot outage problem.	A. Pilot flame may be too high or too low, causing pilot safety to drop out  B. Low gas pressure.	A. Clean and adjust the pilot flame for maximum flame impingement on thermocouple.  B. Check that inlet pressure meets requirements.
<b>4.</b> The pilot and main burner extinguish while in operation	A. Inner vent pipe leaking exhaust gases back into system  B. Horizontal vent improperly pitched  C. Improper vent cap installation.  D. Weak batteries in remote control and receiver.  C. Pilot flame wavering off pilot sensor.	A. Check for flue product leak. Replace defective pipe section.  B. Check horizontal-venting piping is running upward 1/4" per foot. Do not run the pipe level or downward.  C. Check for proper installation and freedom from debris or blockage.  D. Replace AA batteries in remote receiver and AAA batteries in hand held unit. Re-program receiver making sure the battery cover is properly closed.  C. Clean pilot head, make sure sensor is clean.
<b>5.</b> Flame burn blue and lifts off burner (ghosting)	A. Insufficient oxygen being supplied	A. Ensure that the vent cap is installed properly and free of debris. Ensure that the vent system joints are tight and have no leaks. Ensure that no debris has been blocking the inner air intake at the bottom back of the combustion chamber. Ensure that the glass is properly secure and latch.

## TROUBLESHOOTING *Continued*

OBSERVED PROBLEM	POSSIBLE CAUSE	REMEDY
When remote control turned on, there is spark at pilot but no ignition	<ol style="list-style-type: none"> <li>1. Gas supply turned off or manual shutoff valve closed</li> <li>2. Air in gas lines when installed</li> <li>3. Pilot adjustment screw closed</li> <li>4. Pilot is clogged</li> <li>5. Ignitor electrode broken</li> </ol>	<ol style="list-style-type: none"> <li>1. Turn on gas supply or open manual shutoff valve</li> <li>2. Purge air from the supply line (<i>see page 8</i>)</li> <li>3. Adjust pilot flame for approximately 1" blue flame</li> <li>4. Clean pilot (<i>see Cleaning and Maintenance, page 11</i>) or replace pilot assembly.</li> <li>5. Low gas pressure</li> </ol>
Burner does not light after pilot is lit	<ol style="list-style-type: none"> <li>1. Burner orifice clogged</li> <li>2. Inlet gas pressure is too low</li> <li>3. Burner orifice diameter is too small</li> <li>4. Flame sensor leads disconnected</li> </ol>	<ol style="list-style-type: none"> <li>1. Clean burner orifice</li> <li>2. Contact local natural or propane/LP gas company</li> <li>3. Replace burner orifice</li> <li>4. Reconnect leads</li> </ol>
Delayed ignition burner	<ol style="list-style-type: none"> <li>1. Pilot flame needs adjusting</li> </ol>	<ol style="list-style-type: none"> <li>1. Adjust pilot flame for approximately 1" blue flame</li> </ol>
<p><b>⚠ WARNING: If you smell gas</b></p> <ul style="list-style-type: none"> <li>• Shut off gas supply.</li> <li>• Do not try to light any appliance.</li> <li>• Do not touch any electrical switch; do not use any phone in your building.</li> <li>• Immediately call your gas supplier from a neighbor's phone. Follow the gas supplier's instructions.</li> <li>• If you cannot reach your gas supplier, call the fire department.</li> </ul>		
Unit produces unwanted odors	<ol style="list-style-type: none"> <li>1. Gas leak. See Warning statement above.</li> </ol>	<ol style="list-style-type: none"> <li>1. Locate and correct all leaks.</li> </ol>
<p><b>IMPORTANT:</b> Operating unit where impurities in air exist may create odors. Cleaning supplies, paint, paint remover, cigarette smoke, cements and glues, new carpet or textiles, etc., create fumes. These fumes may mix with combustion air and create odors. These odors will disappear over time.</p>		
Gas odor even when Remote Control is in OFF position	<ol style="list-style-type: none"> <li>1. Gas leak. <b>See Warning statement above.</b></li> <li>2. Main gas valve defective</li> </ol>	<ol style="list-style-type: none"> <li>1. Locate and correct all leaks</li> <li>2. Replace gas valve</li> </ol>

---

## INSTALLATION RECORDS

---

THE FOLLOWING INFORMATION MUST BE RECORDED BY THE INSTALLER FOR WARRANTY  
PURPOSES AND FUTURE REFERENCE.

WOODBIDGE FIREPLACE

Model: \_\_\_\_\_

<p>Name of Owner:</p>  <p>Address:</p>         <p>Phone:</p>	<p>Name of Installer:</p>  <p>Address:</p>         <p>Phone:</p>
<p>Name of Dealer:</p>  <p>Address:</p>         <p>Phone:</p>	



### **LIFETIME WARRANTY**

The following components are warranted for life to the original owner, subject to proof of purchase: Firebox, Combustion Chamber, Heat Exchanger, Grate and Steel Burners.

### **FIVE YEAR WARRANTY**

The following components are warranted five (5) years to the original owner, subject of proof of purchase: Ceramic Fiber Logs.

### **BASIC WARRANTY**

Woodbridge Fireplace Inc. warrants the components and materials in your gas appliance to be free from manufacturing and material defects for a period of two years from date of installation. After installation, if any of the components manufactured by Woodbridge Fireplace Inc. in the appliance are found to be defective in materials or workmanship, Woodbridge Fireplace Inc. will, at its option, replace or repair the defective components at no charge to the original owner. Woodbridge Fireplace Inc. will also pay for reasonable labor costs incurred in replacing or repairing such components for a period of two years from date of installation. Any products presented for warranty repair must be accompanied by a dated proof of purchase.

This Limited Lifetime Warranty will be void if the appliance is not installed by a qualified installer in accordance with the installation instructions. The Limited Lifetime Warranty will also be void if the appliance is not operated and maintained according to the operating instructions supplied with the appliance, and does not extend to (1) firebox/burner assembly damage by accident, neglect, misuse, abuse, alterations, negligence of others, including the installation thereof by unqualified installers, (2) the costs of removal, reinstallation or transportation of defective parts on the appliance, or (3) incidental or consequential damage. All service work must be performed by an authorized service representative.

This warranty is expressly in lieu of other warranties, express or implied, including the warranty of merchantability of fitness for purpose and of all other obligations or liabilities. Woodbridge Fireplace Inc. does not assume for it any other obligations or liabilities in connection with sale or use of the appliance. It states that do not allow limitations on how long an implied warranty lasts, or do not allow exclusion of indirect damage, those limitations of exclusions may not apply to you. You may also have additional rights not covered in the Limited Lifetime Warranty.

Woodbridge Fireplace Inc. reserves the right to investigate any and all the claims against the Limited Lifetime Warranty and decide upon method of settlement.

For information about this warranty, contact:

**Woodbridge Fireplace Inc.**  
**1305 Meyerside Dr., Mississauga**  
**Ontario, Canada L5T 1C9**  
**Tel.: 1-905-564-3001**  
[www.woodbridgedealer.com](http://www.woodbridgedealer.com)